

Project
Schedule / Date
Notes
Catalog Number

Product Description

LED Filament Lamps replicate the traditional design of incandescent filament bulbs while providing significant energy savings. These lamps contain LED emitters in linear filament style rods that are powered by using a glass insulated circuit, similar to a vintage incandescent light bulbs.

The perfect replacement for your existing incandescent light bulbs. with 15,000 hours average ratel life and energy savings of up to 70%.

naturalLED[®] offers a full line in A19, G25, ST19, and Candelabra lamps that deliver a warm light in 2200K and tinted glass. Designed for decorative residential, retail, hotel boutiques, hospitality, restaurants, and many more applications.



Features & Benefits

- ▶ Energy Star Certified
- ▶ CEC / JA8-2016
- ▶ Warm Light 2200K
- ▶ Uniform light distribution and consistent color
- ▶ Omni-directional
- ▶ LED with a traditional incandescent design
- ▶ Retrofit for incandescent lamps
- ▶ Suitable for outdoor usage

Applications

- ▶ Residential Lighting
- ▶ Decorative Lighting
- ▶ Retail Lighting
- ▶ Hotel Lighting
- ▶ Restaurant Lighting
- ▶ Hospitality Lighting

Specifications

- ▶ Input line voltage: 120
- ▶ CRI 90
- ▶ Dimmable
- ▶ Powerfactor >0.9
- ▶ Operating temperature: -4°F ~ 104°F
- ▶ Finish: Tinted Glass

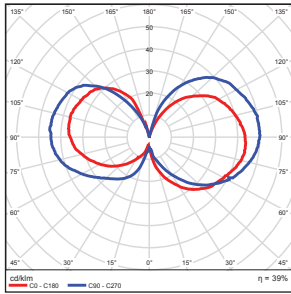


Ordering Information

Code	Description	CCT	Watt	Lumen	Equiv Wattage	Base	CRI	Shape	Dim	Rated Hrs	WET RATED LOCATION	ENERGY STAR
5940	LED4.5CAF/FIL/E12/30L/922	2200K	4.5	300	40	E12	>90	Candle	Yes	15,000	•	•
5941	LED5CAF/FIL/E26/32L/922	2200K	5	325	40	E26	>90	Candle	Yes	15,000	•	•
5942	LED5G25/FIL/35L/922	2200K	5	450	40	E26	>90	G25	Yes	15,000	•	•
5994	LED6.5A19/FIL/45L/922	2200K	6.5	455	40	E26	>90	A19	Yes	15,000		•
5995	LED6.5ST19/FIL/45L/922	2200K	6.5	450	40	E26	>90	ST19	Yes	15,000		•

Photometric Data

4.5CAF - E12



Zonal Lumen Summary

Zone	Lumens	% Luminaire
0-30	8.89	1.10
0-40	19.55	2.50
0-60	56.73	7.20
60-80	58.43	7.40
70-80	31.66	4.00
90-120	98.29	12.40
90-180	159.97	20.20
0-180	309.86	39.10

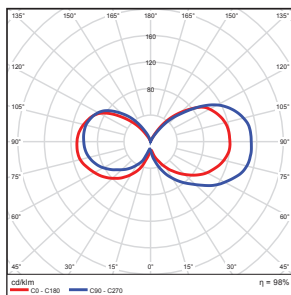
Total Luminaire Efficiency = 100.00%

Illuminance at a Distance

	Center Beam fc	Beam Width
17.0ft	0.01 fc	19.6 ft
34.0ft	0.00 fc	39.2 ft
51.0ft	0.00 fc	58.8 ft
68.0ft	0.00 fc	78.4 ft
85.0ft	0.00 fc	98.1 ft
102.0ft	0.00 fc	117.7 ft

■ Horiz. Spread: 60.0°

4.5CAF - E26



Zonal Lumen Summary

Zone	Lumens	% Luminaire
0-30	10.67	2.90
0-40	23.72	6.30
0-60	72.36	19.40
60-80	77.80	20.80
70-80	41.94	11.20
90-120	122.55	32.80
90-180	171.37	45.90
0-180	366.54	98.10

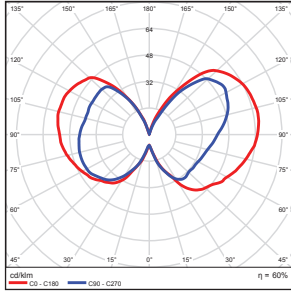
Total Luminaire Efficiency = 100.00%

Illuminance at a Distance

	Center Beam fc	Beam Width
17.0ft	0.02 fc	34.0 ft 14.7 ft
34.0ft	0.00 fc	68.0 ft 29.4 ft
51.0ft	0.00 fc	102.0 ft 44.1 ft
68.0ft	0.00 fc	136.0 ft 58.9 ft
85.0ft	0.00 fc	170.0 ft 73.6 ft
102.0ft	0.00 fc	204.0 ft 88.3 ft

■ Vert. Spread: 90.0°
■ Horiz. Spread: 46.8°

5G25 - E26



Zonal Lumen Summary

Zone	Lumens	% Luminaire
0-30	10.67	2.90
0-40	23.72	6.30
0-60	72.36	19.40
60-80	77.80	20.80
70-80	41.94	11.20
90-120	122.55	32.80
90-180	171.37	45.90
0-180	366.54	98.10

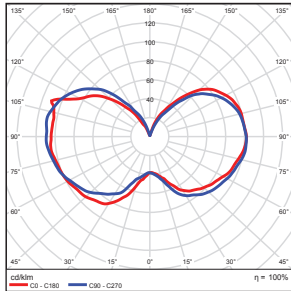
Total Luminaire Efficiency = 100.00%

Illuminance at a Distance

	Center Beam fc	Beam Width
17.0ft	0.01 fc	54.8 ft
34.0ft	0.00 fc	109.5 ft
51.0ft	0.00 fc	164.3 ft
68.0ft	0.00 fc	219.0 ft
85.0ft	0.00 fc	273.8 ft
102.0ft	0.00 fc	328.5 ft

Beam Spread: 116.3°

6.5A19 - E26



Zonal Lumen Summary

Zone	Lumens	% Luminaire
0-30	22.81	4.80
0-40	46.17	9.60
0-60	117.09	24.40
60-80	97.57	20.30
70-80	51.31	10.70
90-120	142.70	29.70
90-180	214.26	44.60
0-180	482.07	100.40

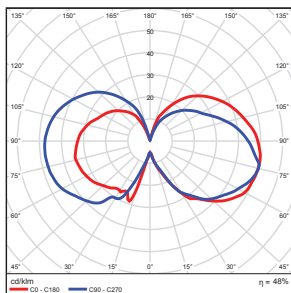
Total Luminaire Efficiency = 100.00%

Illuminance at a Distance

	Center Beam fc	Beam Width
17.0ft	0.06 fc	12.8 ft
34.0ft	0.02 fc	25.5 ft
51.0ft	0.01 fc	38.3 ft
68.0ft	0.00 fc	51.1 ft
85.0ft	0.00 fc	63.8 ft
102.0ft	0.00 fc	76.6 ft

Horiz. Spread: 41.2°

6.5ST19 - E26



Zonal Lumen Summary

Zone	Lumens	% Luminaire
0-30	22.81	4.80
0-40	46.17	9.60
0-60	117.09	24.40
60-80	97.57	20.30
70-80	51.31	10.70
90-120	142.70	29.70
90-180	214.26	44.60
0-180	482.07	100.40

Total Luminaire Efficiency = 100.00%

Illuminance at a Distance

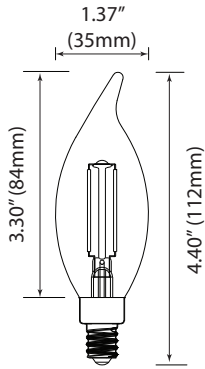
	Center Beam fc	Beam Width
17.0ft	0.02 fc	49.7 ft
34.0ft	0.01 fc	99.4 ft
51.0ft	0.00 fc	149.1 ft
68.0ft	0.00 fc	198.8 ft
85.0ft	0.00 fc	248.4 ft
102.0ft	0.00 fc	298.1 ft

Beam Spread: 111.2°

Product Dimensions

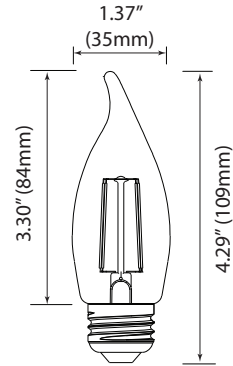
Candle E12

Weight: 1.57-oz



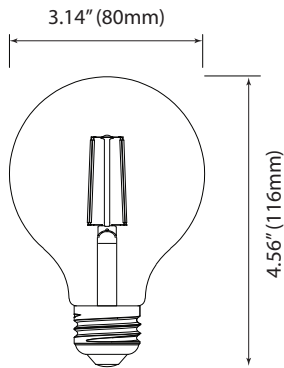
Candle E26

Weight: 1.90-oz



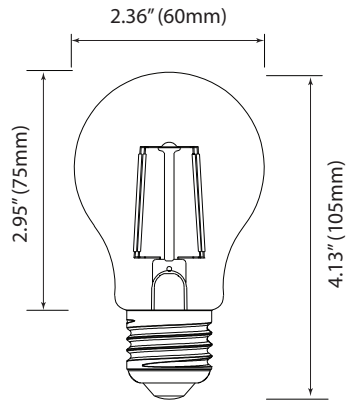
G25

Weight: 4.66-oz



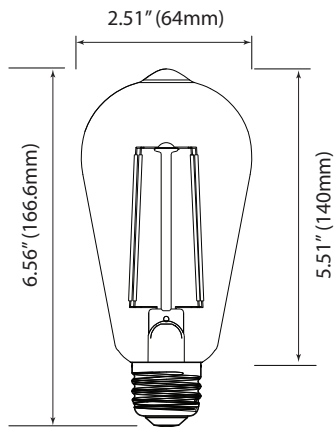
A19

Weight: 4.22-oz

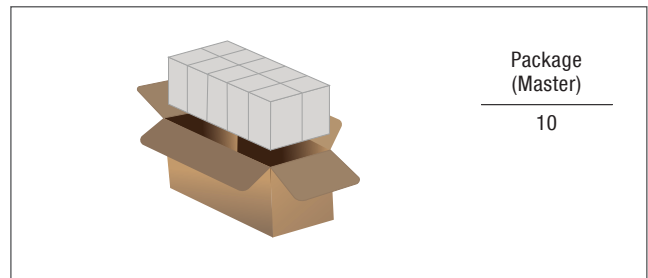


ST19

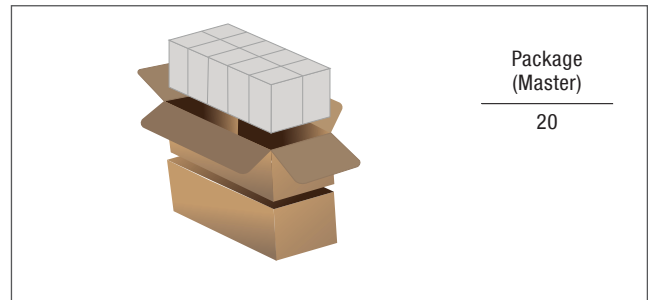
Weight: 4.30-oz



Package



Package
(Master)
10



Package
(Master)
20