

access

LIGHTING

INSTALLATION INSTRUCTIONS

IMPORTANT SAFETY INSTRUCTIONS

MESURES DE SECURITE A RESPECTURE

Before assembling your ACCESS LIGHTING fixture, please make sure that you carefully read through this instruction sheet. Save this instruction sheet and refer to it when additions to or changes in the fixture configuration are made.

Lisez attentivement ce manuel d'instructions. Enregistrer cette feuille d'instructions et de s'y référer lorsque les ajouts ou changements dans la configuration de montage sont faites.

CONSULT A QUALIFIED ELECTRICIAN TO ENSURE CORRECT BRANCH CIRCUIT CONDUCTOR.

CONSULTER UN ELECTRICIEN QUALIFIE POUR VOUS ASSURER QUE LES CONDUCTEURS DE LA DERIVATION SONT ADEQUATS

THIS PRODUCT MUST BE INSTALLED IN ACCORDANCE WITH THE APPLICABLE INSTALLATION CODE BY A PERSON FAMILIAR WITH THE CONSTRUCTION AND OPERATION OF THE PRODUCT AND THE HAZARDS INVOLVED.

CE PRODUIT DOIT ETRE INSTALLE SELON LE CODE D'INSTALLATION PERTINENT, PAR UNE PERSONNE QUI CONNAIT BIEN LE PRODUIT ET SON FONCTIONNEMENT AINSI QUE LES RISQUES INHERENTS

NOTE: The important safeguards and instructions that appear in this manual are not meant to cover all possible conditions and situations that may occur. It must be understood that common sense, caution and care, are factors that can't be built into any product. These factors must be supplied by the person(s) caring for and operating the fixture.

Read all instructions

Do not install this fixture in hazardous locations.

N'installez pas cet appareil dans des emplacements dangereux.

Do not install any fixture assembly closer than 6 inches from any curtain or similar combustible material.

Laissez une distance d'au moins 6 pouces entre ce luminaire et la toute surface combustible.

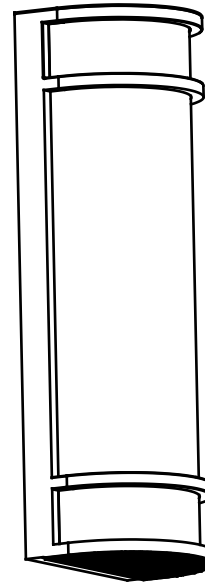
"WARNING Risk of Fire and Electric Shock."

"CAUTION: Risque d' Incendie et de Choc Electriques."

GENERAL INFORMATION

All electrical connections must be in accordance with all ordinances, Local and the U.S. National Electrical Codes (NEC). These fixtures are intended for mounting to a standard 4" metal octagon outlet box.

The box must be directly supported by the building structure and U.L. Recognized.



COLLECTION

COVE

APPLICATION

WALL Fixture

MODEL NO.

20106LEDMGEM

WHAT WE PROVIDE

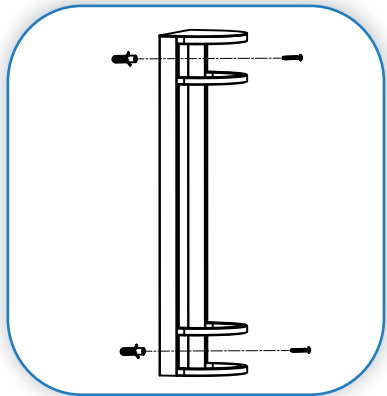
- Mounting Hardware
- Crossbar
- 1 x Acrylic shade
- LED
- Emergency lighting battery pack

WHAT YOU NEED

- Screwdriver
- Wire Cutters
- Wiring Supplies as Specified by Electrical Code

STEP BY STEP INSTRUCTIONS

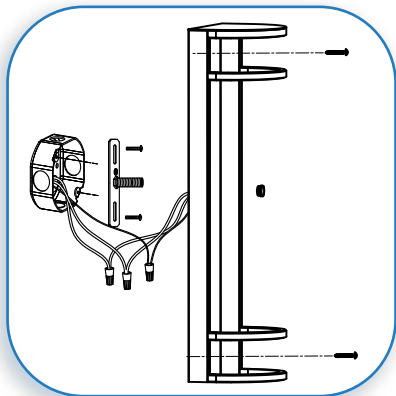
Before starting your installation disconnect the Power by turning off the Circuit Breaker or by removing the fuse at the fuse box. Just turning the light off at the light switch is not sufficient to prevent electrical shock.



1

PREPARE FIXTURE

If there is an existing fixture remove it. Secure the supplied crossbar and all-thread to the junction box with the supplied screws. Align the fixture onto the crossbar and all-thread and mark the locations of the drywall anchors. Drill a hole and insert the supplied drywall anchors.

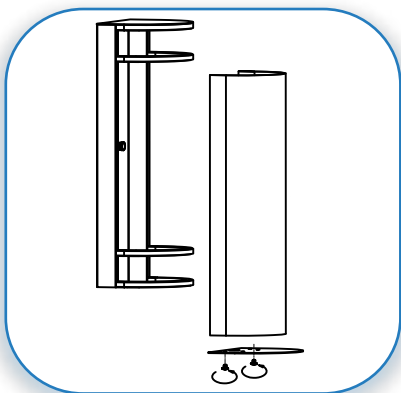


2

MAKE WIRE CONNECTIONS AND MOUNT THE FIXTURE

Gently pull the supply wires out of the junction box. Connect the black supply wire to the black LED power supply wire. Secure with the supplied wire nuts. Connect the white supply wire to the white LED power supply wire. Secure with the supplied wire nuts. Attach the green J-Box wire around green hexagonal head screw or connect it to the green supply grounding wire of the fixture. Secure all wires with UL Certified electrical tape (not supplied). Tuck all wires carefully into the J-Box.

*The LED Emergency Controller is designed to be connected to a separate dedicated power supply. Connect the black supply wire to the black LED Emergency Controller wire. Secure with the supplied wire nuts. Connect the white supply wire to the white LED Emergency Controller wire. Secure with the supplied wire nuts. Align the fixture onto the crossbar and all-thread and secure with the supplied barrel nut and drywall screws.

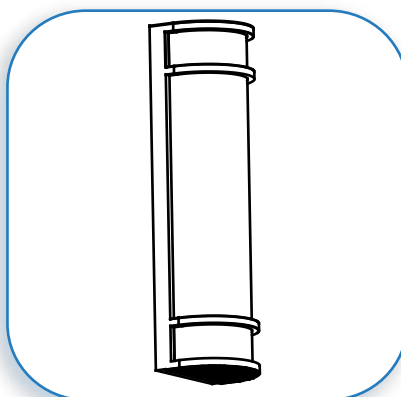


3

INSTALL THE ACRYLIC SHADE

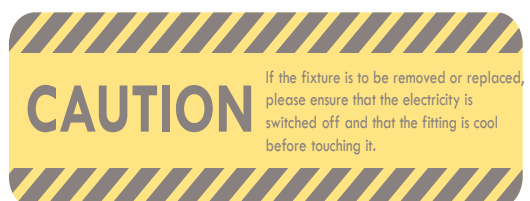
Insert the acrylic shade from the bottom to the top and secure with the supplied metal cover and screws.

** This fixture is wet location rated. In order to ensure that moisture does not enter the outlet box and cause a short circuit, clear caulking should be used to seal the space between the fixture mounting bracket and the wall. Ensure that a space is left at the bottom to allow for the escape of moisture. It is recommended that Outdoor Silicon Sealant is used for that purpose**



4

RESTORE THE ELECTRICITY AND CHECK THE OPERATION OF YOUR NEW ACCESS LIGHTING FIXTURE



"IMPORTANT SAFEGUARDS".

"READ AND FOLLOW ALL SAFETY INSTRUCTIONS".

1) "Do not mount near gas or electric heaters".

"Ne pas monter gaz à proximité ou radiateurs électriques".

2) "Equipment should be mounted in locations and at heights where it will not readily be subjected totampering by unauthorized personnel".

"L'équipement doit être monté dans des endroits et à des hauteurs où il ne sera pas aisément soumise à des manipulations par un personnel non autorisé".

3) "The use of accessory equipment not recommended by the manufacturer may cause an unsafe condition".

"L'utilisation d'un équipement accessoire non recommandé par le fabricant peut causer à des conditions dangereuses".

4) "Do not use this equipment for other than intended use."

"Ne pas utiliser cet appareil pour un usage autre que prévu".

5) "CAUTION: A BATTERY CAN PRESENT A RISK OF ELECTRICAL SHOCK, BURN FROM HIGH SHORTCIRCUIT CURRENT, FIRE OR EXPLOSION FROM VENTED GASES. OBSERVE PROPER PRECAUTIONS".

"ATTENTION : UNE BATTERIE PEUT PRÉSENTER UN RISQUE DE CHOC ÉLECTRIQUE, DE BRÛLURE PAR TRANSFERT D'ÉNERGIE, D'INCENDIE OU D'EXPLOSION DES GAZ DÉGAGÉS. SUIVRE LES PRÉCAUTIONS QUI S'IMPOSENT".

6) "WHEN REPLACING BATTERIES USE THE SAME NUMBER AND THE FOLLOWING TYPE BATTERIES".

"POUR LE REMPLACEMENT, UTILISER LE MÊME NOMBRE DE BATTERIES DU MODÈLE SUIVANT".

7) "PROPER DISPOSAL OF BATTERIES IS REQUIRED. REFER TO YOUR LOCAL CODES FOR DISPOSAL REQUIREMENTS".

"L'ÉLIMINATION DES BATTERIES EST RÉGLEMENTÉE. CONSULTER LES CODES LOCAUX À CET EFFET".

8) "Use caution when servicing batteries. Battery acid can cause burns to skin and eyes. If acid is spilled on skin or in eyes, flush acid with fresh water and contact a physician immediately".

"Soyez prudent lors de l'entretien des piles. L'acide de batterie peut causer des brûlures à la peau et aux yeux. Si de l'acide est répandu sur la peau ou dans les yeux, rincer l'acide avec de l'eau douce et communiquer immédiatement avec un médecin".

9) No rigid conduit or Flexible conduit only.

Pas de conduit rigide ou Flexible seulement.

Minimum 8 hours charge time required to attain full battery capacity.

Emergency mode is 90min

Ambient Temperature range : 0-50°C maximum

Max. mounting height: 9.85ft (3m)