

Model No :: **20415-ALB**
 Name :: Daphne



Project Name :: _____
 Location :: _____
 Type :: _____
 Quantity :: _____
 Notes :: _____

Product Information

Product ID :: 20415
 UPC Code :: 6.41594E+11
 Mounting Type :: Wall
 Finish :: Brushed Steel
 Diffuser :: Alabaster
 Alt. Finishes :: Brushed Steel (BS)
 Alt. Diffusers :: Alabaster (ALB); Opal (OPL)

Product Dimensions

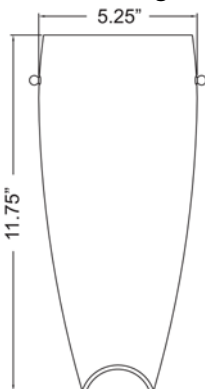
Fixture	Canopy
Length ::	Length :: 8.5
Width :: 5.5	Width :: 4.25
Diameter ::	Diameter ::
Extension :: 4	Height :: 0.5
Height :: 11.75	
Overall Height ::	



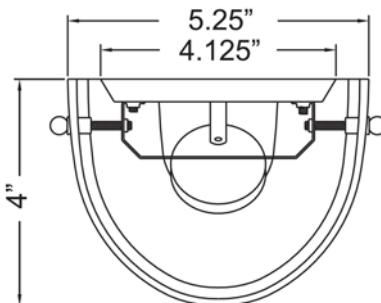
Technical Specifications

Qualifications	Specifications	Photometrics	Recommended Dimmers
Location Rating :: Damp	Frame Material :: Steel	CCT :: 0	(TRIAC) Any Standard Dimmer
Certification :: UL Listed (US/Canada)	Diffuser Material:: Glass	CRI :: 0	
IES File ::	Voltage :: 120v	Wattage :: 100 W	
JA8 Compliant :: No	Lamping Type :: A-19 (INC)	Nominal Lumens :: 0	
Energy Star :: No	Lamping Base :: E-26	Delivered Lumens :: 0	
ADA Compliant :: Yes	Lamp Quantity :: 1	Additional Items :: 0	
Marine Grade :: No	Lamp Wattage :: 100 W		
Emergency Lighting :: No	Total Wattage :: 100 W		
Warranty :: 1 Year Limited	Lamps Included :: No		
	J-Box Type :: Standard		

Line Drawing #1



Line Drawing #2



IES File

Image Not Available

Toll Free 800-828-5483 • www.AccessLighting.com

14410 Myford Road, Irvine, CA 92606

The information provided is subject to change without notice. ©2020 Access Lighting Corporation. All Rights Reserved
 Rev. 202105 Filename:: 20415-ALB.pdf

