

Model No :: **50942LEDD-GRY/ACR**  
 Name :: Radiant



Project Name :: \_\_\_\_\_  
 Location :: \_\_\_\_\_  
 Type :: \_\_\_\_\_  
 Quantity :: \_\_\_\_\_  
 Notes :: \_\_\_\_\_

**Product Information**

Product ID :: 50942  
 UPC Code :: 6.41594E+11  
 Mounting Type :: Ceiling  
 Finish :: Gray  
 Diffuser :: Acrylic Lens  
 Alt. Finishes :: Gray (GRY); White (WH)  
 Alt. Diffusers :: Acrylic Lens (ACR)

**Product Dimensions**

<b>Fixture</b>	<b>Canopy</b>
Length ::	Length ::
Width ::	Width ::
Diameter :: 15	Diameter :: 9
Extension ::	Height :: 2.25
Height :: 8	
Overall Height :: 06-126	



**Technical Specifications**

**Qualifications**

Location Rating :: Damp  
 Certification :: UL Listed (US/Canada)  
 IES File ::  
 JA8 Compliant :: No  
 Energy Star :: No  
 ADA Compliant :: No  
 Marine Grade :: No  
 Emergency Lighting :: No  
 Warranty :: 1 Year Limited

**Specifications**

Frame Material :: Aluminum  
 Diffuser Material :: Acrylic  
 Voltage :: 120-277v  
 Lamping Type :: LED SSL (DLED)  
 Lamping Base :: SSL  
 Lamp Quantity :: 1  
 Lamp Wattage :: 21 W  
 Total Wattage :: 21 W  
 Lamps Included :: Yes  
 J-Box Type :: Standard

**Photometrics**

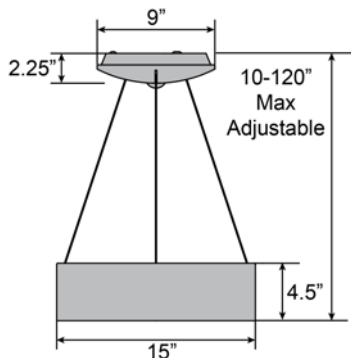
CCT :: 3000 K  
 CRI :: 85  
 Wattage :: 21 W  
 Nominal Lumens :: 1400  
 Delivered Lumens :: 708

**Recommended Dimmers**

(ELV) LUTRON Diva DVELV-300P; (ELV) LUTRON Diva DVELV-303P; (ELV) LUTRON Skylark SELV-300P; (TRIAC) LUTRON Diva DV-600P

Additional Items :: 0

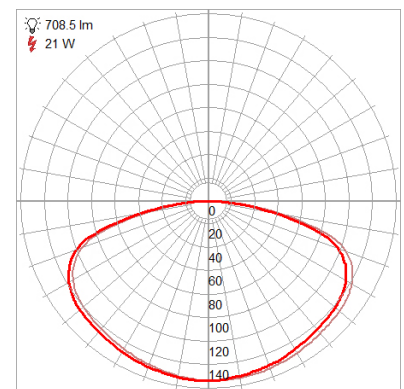
**Line Drawing #1**



**Line Drawing #2**

Image Not Available

**IES File**



**Toll Free 800-828-5483 • www.AccessLighting.com**

14410 Myford Road, Irvine, CA 92606

The information provided is subject to change without notice. ©2020 Access Lighting Corporation. All Rights Reserved  
 Rev. 202105 Filename: 50942LEDD-GRY\_ACR.pdf

