

# Roadway Series 115

Roadway Lighting  
50-250W HPS, 70-250W MH

## PRODUCT OVERVIEW



### Features:

Rugged die-cast aluminum housing is powder-coated for durability and corrosion resistance

Two-bolt mast arm mount provides easy, secure installation and adjustability for arms from 1-1/4" to 2" (1-5/8" to 2-3/8" O.D.) diameter. Optional four-bolt mounting provides extra security in high-vibration applications

Die-cast trigger latch on doorframe enables easy and secure one-hand opening for re-lamping and maintenance

Large surface area "breathing seal" gasket seals the optical chamber to prevent intrusion by insects and environmental contaminants. Heat-resistant gasket material remains effective over the life of the fixture

Wildlife shield is cast into the housing (not a separate piece) on the two-bolt unit and is easily adjustable for 1-1/4" to 2" (1-5/8" to 2-3/8" O.D.) mast arms

Photocontrol receptacle is adjustable without tools

Anodized aluminum reflectors provide uniform lighting distribution with borosilicate glass, acrylic, or polycarbonate refractor

Surge protection device (standard with ELBD models) exceeds IEEE/ANSI C62.41 Category C criteria

New DTL photocontrol for solid-state lighting (available with PCSS option) exceeds ANSI C136.10 criteria

NEMA wattage label, terminal block, and NEMA photocontrol receptacle are standard

All electrical components warranted by American Electric Lighting's 6-year guarantee

E39 mogul base socket standard

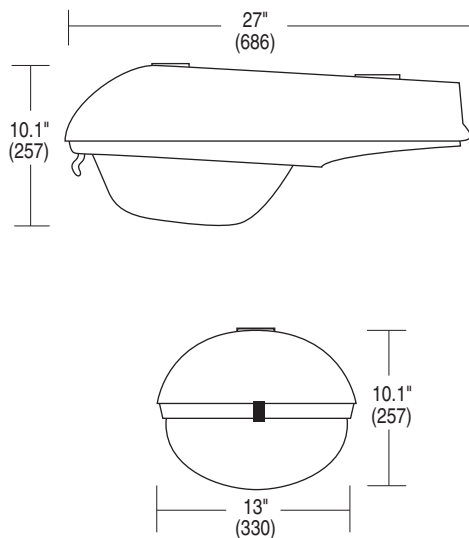
Suitable for -30°C MH / -40°C HPS

Complies with ANSI: C136.2, C136.10, C136.14, C136.15, C136.17, C136.31

### Applications:

- Roadways
- Residential streets
- Storage areas
- Parking lots
- Campuses
- Parks

### DIMENSIONS



Effective Projected Area (EPA)  
The EPA for the Horizontal Luminaire Series 115 is 0.9 sq. ft.  
Approx. Wt. = 19 lbs.

### PREFERRED SELECTION CATALOG NUMBERS

- 115 10S RN 120 R2 DA
- 115 15S CA MT1 R2 DA EC
- 115 15S RH 120 R2 DA
- 115 25S CA MT1 R3 DG EC

# Roadway Series 115

Roadway Lighting  
50-400W HPS, 70-250W MH

## ORDERING INFORMATION

Example: 115 15S RN 120 R2 DG LC PC

Series	Wattage / Source		Ballast	Voltage	Distribution
115 Single Door Cobrahead	05 50W	S HPS	RN Reactor Normal Power Factor	120 120V	R2 Roadway Type II
	07 70W	M MH <sup>2</sup>	RH Reactor High Power Factor	208 208V	R3 Roadway Type III
	10 100W <sup>11</sup>		XN High Reactance (Lag) Normal Power Factor	240 240V	RX Roadway Type II 4-way <sup>4</sup>
	13 100/150W Wired 100W		XH High Reactance (Lag) High Power Factor	277 277V	Refer to optic distribution matrix below for compatibility.
	14 100/150W Wired 150W		CA CWA <sup>2</sup>	347 347V	
	15 150W		CT CWI	480 480V	
	17 175W <sup>1</sup>		SC SCWA	MT1 Multi-tap Wired 120V	
	20 200W		MR Mag Reg (3 Coil)	MT8 Multi-tap Wired 208V	
	25 250W <sup>1</sup>		ELBD Electronic Ballast/Driver <sup>3,11</sup>	MT2 Multi-tap Wired 240V	
	40 400W			MT7 Multi-tap Wired 277V	
				TT3 Tri-tap Wired 347V	
				DT1 Dual Tap 120/240 Wired 120V	
				DT2 Dual Tap 120/240 Wired 240V	
				DT4 Dual Tap 240/480	
<div style="border: 1px solid black; padding: 5px; width: fit-content; margin: 0 auto;">Optics</div>					
					DA Drop Acrylic Prismatic Refractor <sup>5</sup>
					DP Drop Polycarbonate Prismatic Refractor
					DG Drop Glass Prismatic Refractor

Ⓔ See ballast matrix for IESA compliant options

### Notes:

- When ordered with metal halide, these wattages do not comply with California Title 20 regulations
- CA ballast not available with 175W - 400W metal halide in the U.S.; must use SC
- 100 and 150W HPS and 150W MH only; 150W HPS requires S56 lamp
- DG option only
- For HPS products only
- Other colors available, please contact your local American Electric Lighting representative
- T3 option only available with 240, 480, DT2, DT4, MT2
- Not available in MT, TT, DT voltages
- PC, PCSS and SH not available with NR option
- Tested to withstand 3G vibration; 4B option required
- Available 120 only

### Optic Distribution

	R2 DA	R3 DA	R2 DP	R3 DP	R2 DG	R3 DG	RX DG
05S	▲	▲	▲	▲	▲	▲	
07S	▲	▲	▲	▲	▲	▲	▲
07M	-	-	▲	-	▲	-	▲
10S	▲	▲	▲	▲	▲	▲	▲
10M	-	-	▲	▲	▲	▲	▲
15S	▲	▲	▲	▲	▲	▲	▲
13S	▲	▲	▲	▲	▲	▲	▲
14S	▲	▲	▲	▲	▲	▲	▲
15M	-	-	▲	▲	▲	▲	▲
17M	-	-	▲	▲	▲	▲	▲
20S	-	-	▲	▲	▲	▲	▲
25S	-	-	▲	▲	▲	▲	▲
25M	-	-	▲	▲	▲	▲	▲
40S	-	-	-	-	▲	▲	▲

Options	
---------	--

### Mounting

(blank)	2-bolt Internal
EF	External Fitter (2-bolt only)
4B	4-bolt Internal
M2	2-bolt Internal 2" Setting
E2	External Fitter 2" Mast Arm (2-bolt only)
F2	4-Bolt Internal 2" Setting

### Photocontrol Receptacle

(blank)	NEMA Photocontrol Receptacle (standard)
NR	No Photocontrol Receptacle <sup>9</sup>

### Lamp

LC	Lamp Included, Clear
LD	Lamp Included, Deluxe/Coated

### Paint<sup>6</sup>

(blank)	Gray (standard)
BK	Black
BZ	Bronze
DDB	Dark Bronze
WH	White
UP	Unpainted

### Starter<sup>5</sup>

(blank)	Open Board (standard)
EC	Encapsulated Plug-in
OP	Open Plug-in

### Misc.

PC	Photocontrol Included per Voltage Specified <sup>9</sup>
BF	3G Vibration <sup>10</sup>
PCSS	Solid-State Lighting Photocontrol (120-277V) <sup>9</sup>
BL	Bubble Level
SS	Stainless Steel Fasteners (external)
CF	Charcoal Filter
PL	Distribution Pattern Indicator Label
LA	Lightning Arrestor (Void UL/CSA Certified Options)
SH	Shorting Cap <sup>9</sup>
HK	Hinge Keeper
RG	Rubber Silicone Optical Gasket

### Terminal Block

(blank)	Terminal Block (standard)
T2	Wired to L1 to L2 Position
T3	3 Wire Operation (L1, N, L2 Position) <sup>7</sup>

### Listing

UL	UL Listed
CS	CSA Certified

### Fusing<sup>8</sup>

SF	Single Fuse (120, 277, 347V)
DF	Double Fuse (208, 220, 240, 480V)



# Roadway Series 115

Roadway Lighting

50-400W HPS, 70-250W MH

---