



DESIGNER COVE™ 1000/2000/3000 LUMEN LED

OPEN APERTURE, TRIM OR TRIMLESS

1, 2 & 3 HEAD LED UNITS



Type: _____

Catalog No.: _____

Project: _____

Notes: _____

ENVIRONMENTALLY FRIENDLY, ENERGY EFFICIENT

- 1000 lumen unit provides comparable light output to a 75W PAR30 halogen, 2000 & 3000 lumen units provide output similar to a 39W PAR30 & 70W T4 Metal Halide; all while utilizing less energy and having a rated life of 50,000 hours
- All beam, lumen, color temperature, voltage and CRI combinations are ENERGY STAR® Certified
- Optics and LED's coordinated to match the Juno Trac offering
- No harmful ultraviolet or infrared wavelengths
- No lead or mercury



PRODUCT SPECIFICATIONS

ELECTRICAL

LED Light Engine: High output LED arrays provide outstanding reliability, performance and color quality/consistency • 2700K, 3000K, 3500 or 4000K color temperatures • 80 CRI standard, 90 and 97 CRI available, see options (lumen drop of approximately 17% and 25% with 90 and 97 CRI, respectively) • "Spectral White" color/white enhancing option makes whites appear naturally brilliant and renders colors more richly • Consistent fixture-to-fixture color temperature that is within 3 MacAdam ellipses

Dimming: Dimmable via 0-10V controller • For a list of compatible dimmers see [LED-DIM](#)

LED Driver: Universal driver accommodates 120V to 277V input volts AC at 50/60Hz • Power factor >0.9 • Easily replaceable from below or above the ceiling.

Life: Rated for 50,000 hours at 70% lumen maintenance

Operation Temperature: -40° to 45° C

LABELS AND LISTINGS

- UL listed for dry/damp locations • UL and cUL, RoHS compliant
- EMI complies with FCC 47, Part 15, Class A
- ENERGY STAR® certified, see page 6 for designated products
- I.B.E.W. Union made • ARRA Compliant

Warranty 5-year limited warranty. Complete warranty terms located at: www.acuitybrands.com/CustomerResources/Terms_and_conditions.aspx.

Specifications subject to change without notice.

ORDERING INFORMATION - Complete Fixture

Ordering Example: DCS30 2LH F1 F2 10LM 27K 120 NT G3 80CRI ZT BL HBTL

Complete Unit - (Use when ordering a complete fixture; rough-in, fixture heads, options and accessories)

Series	LED Heads	Distribution - Head 1	Distribution - Head 2	Distribution - Head 3	Lumens	Color Temperature
DCS30 Designer Cove Series PAR30 LED Multi-light	1LH 1 LED Head	F1 Flood	F2 Flood	F3 Flood	10LM 1000 Lumens	27K 2700K
	2LH 2 LED Head	N1 Narrow Flood	N2 Narrow Flood	N3 Narrow Flood	20LM 2000 Lumens	30K 3000K
	3LH 3 LED Head	S1 Spot	S2 Spot	S3 Spot	30LM 3000 Lumens	35K 3500K
						40K 4000K

Voltage	Trim	Generation	CRI	Driver Option	Finish	Options	Mounting Hardware
120 120 Volt 277 277 Volt 347 347 Volt	(Blank) White Flange NT No Trim	G3 Generation 3	80CRI 80+ CRI 90CRI 90+ CRI 97CRI 97+ CRI SW ² Spectral White	DALI DALI Control Dimming ZT 0-10V Dimming	BL Black WH White	F ³ Fuse and Fuse Holder CP Chicago Plenum Lumen Depreciation Indicator LDI NL ⁶ nLight Total Fixture Control NLH nLight Individual Head Control BLF Black Flange (White Flange comes standard)	HB28 28" C-Channel Bar Hangers, Pair HB52 52" C-Channel Bar Hangers, Pair HBTL 25" Tru-Lock Grid Ceiling Bar Hangers, Pair LB27 27" Linear Bar Hangers, Pair



DESIGNER COVE™ 1000/2000/3000 LUMEN LED

OPEN APERTURE, TRIM OR TRIMLESS

1, 2 & 3 HEAD LED UNITS

ORDERING INFORMATION - Accessories

Order as separate catalog number.					
CCLBL 375⁴	Louver 3 3/4" Dia. w/ 1/2" Sq. Cells	CGF 375 MBLU⁴	Med. Blue Color Filter	LSPREAD 375⁵	Linear Spread Lens
CGF 375 MPINK⁴	Med. Pink Color Filter	CGF 375 MAMB⁴	Med. Amber Color Filter	DCCF 375 HIDINC⁵	Color Correction Lens
CGF 375 WRED⁴	Warm Red Color Filter	CGF 375 MGRN⁴	Med. Green Color Filter	SOLITE 375⁵	Uniformity Lens
CGF 375 DLTBLUE⁴	Daylight Blue Color Filter	PRISM 375⁵	Prismatic Spread Lens	T5623⁵	High Output Uniformity Lens

ORDERING INFORMATION - Rough-In Only

Ordering Example: DCSR30 1LH 10LM 120 NT G3 ZT BL LDI

Individual Component - (Use when ordering rough-in housing, fixture heads, options and accessories separately)

Series	LED Heads	Lumens	Voltage	Trim
DCSR30 Designer Cove Series LED Multi-light Housing	1LH 1 LED Head	10LM 1000 Lumens	120 120 Volt	(Blank) White Flange
	2LH 2 LED Head	20LM 2000 Lumens	277 277 Volt	NT No Trim
	3LH 3 LED Head	30LM 3000 Lumens	347⁷ 347 Volt	

Generation	Driver Option	Finish	Options
G3 Generation 3	DAI DALI Control Dimming ZT 0-10V Dimming	BL Black WH White	F³ Fuse and Fuse Holder CP Chicago Plenum LDI Lumen Depreciation Indicator NL⁶ nLight Total Fixture Control NLH nLight Individual Head Control BLF Black Flange (White Flange comes standard)

ORDERING INFORMATION - Head Only

Ordering Example: DCSH30 F1 10LM 27K G3 80CRI BL

Individual Component - (Use when ordering rough-in housing, fixture heads, options and accessories separately)

Series	Distribution - Head 1	Lumens	Color Temperature	Generation	CRI	Finish
DCSH30 Designer Cove Series PAR30 Head	F1 Flood	10LM 1000 Lumens	27K 2700K	G3 Generation 3	80CRI 80+ CRI	BL Black
	N1 Narrow Flood	20LM 2000 Lumens	30K 3000K		90CRI 90+ CRI	
	S1 Spot	30LM 3000 Lumens	35K 3500K		97CRI¹ 97+ CRI	
					40K 4000K	SW² Spectral White

Notes:

- 1 Excludes 35K.
- 2 Excludes 27K.
- 3 Must specify voltage.
- 4 Not for use with Chicago Plenum or 347V.
- 5 Not for use with any other accessories.
- 6 Use NL Option for 1 Light.
- 7 347V not available for NL & NLH options.



DESIGNER COVE™ 1000/2000/3000 LUMEN LED

OPEN APERTURE, TRIM OR TRIMLESS

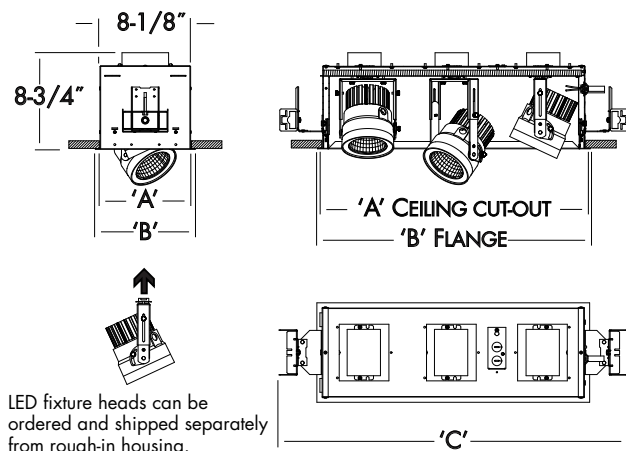
1, 2 & 3 HEAD LED UNITS

MECHANICAL

LED Fixture Head: Cast aluminum housing is removable for ease of maintenance and interchangeability of LED color temperatures
 • Interchangeable optics make it very easy to change beam spreads in the field • Twists and locks securely into place • Integral heat sink conducts heat away from LED light engine • LED fixture heads can be ordered and shipped separately from rough-in housing • Accessory louver may be combined with one (1) accessory color filter
Adjustability: Yoke assembly allows 360° rotation and up to 75° tilt of lamp housing and features rotation and tilt locking • Yoke features 2" vertical adjustment allowing fixture head to be extended below ceiling
Housing: Heavy gauge cold rolled steel with white or black finish • Universal housing design installs in suspended grid, plaster or drywall
 • Drivers are accessible from above and below ceiling • Light engine and driver can be upgraded to accommodate future technology improvements • Rough-in housing can be ordered separately from fixture heads, see Individual Component Ordering Information.
Mounting Bracket: Mounting brackets have 3" vertical adjustment and accept proprietary TRU-LOCK bar hangers, 1-1/2" C-channel and flat linear bars (order as accessories) or 1-1/2" EMT, 3/4" and 1-1/2" lathing channel (by others) • One-piece Tru-Lock bar hangers have integral T-bar locking screws and alignment notches for locating and locking fixture in the center or 1/4" tile increments
Trim: All units are furnished with a heavy gauge white baked enamel trim • Trimless option also available.

DIMENSIONS

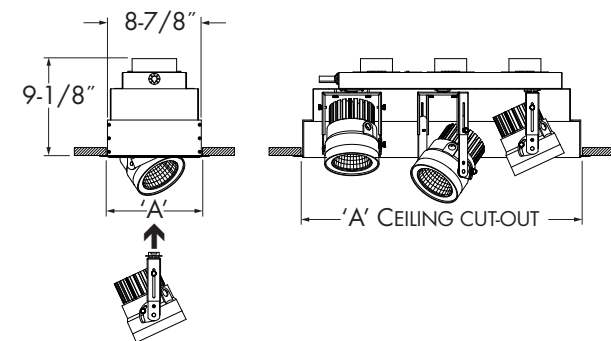
Flange Trim



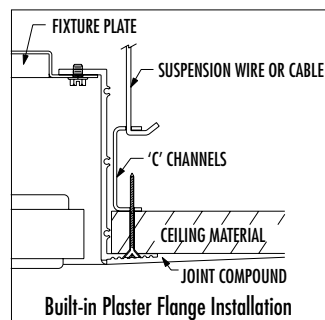
# of Heads	Ceiling Cut-out 'A'	Flange Trim 'B'	Dimension 'C'
1	8-1/4" x 8-1/4"	9" x 8-7/8"	16"
2	8-1/4" x 15-7/8"	9" x 16-1/2"	23-3/4"
3	8-1/4" x 23-3/4"	9" x 24-3/8"	31-1/2"

LED fixture heads can be ordered and shipped separately from rough-in housing.

No Trim



LED fixture heads can be ordered and shipped separately from rough-in housing.



# of Heads	Ceiling Cut-out 'A'
1	9" x 9"
2	9" x 17-3/4"
3	9" x 26-1/4"