

Street Light



ALTLed®

Lodestar Series

Specification Sheet

Product Introduction

Used in the past as a guide to navigators, Lodestar is a bright, eternal and easily found star. ALTLed's Lodestar is the most efficient, and bright street light in the LED industry as what people are expecting to the stars. Possessing a high stability lighting due to its unique current fluctuation protection, our Street Lights can be placed in the harshest conditions. With a CRI of 80, Lodestar Series provides high brightness and at the same time a much improved night vision to increase pedestrian and vehicle safety. Once a traditional street light is replaced for a Lodestar Street Light, your operating and maintenance costs will be reduced up to 60% dramatically. In addition, the light of our Street Lights can be easily directed, avoiding sending light in all directions to prevent from energy wasting. Beautiful, cost-saving, and with an incredible long life-span, Lodestar Series is perfect to be a shining star in your street.

Certificates



Features

- ✓ IP68 waterproof standard.
- ✓ Integration of a patented aerospace structural design ensures optimal cooling.
- ✓ Original high-power LED chips.
- ✓ CRI 80 high-brightness.

Application

- ✓ Street Lighting.
- ✓ Parking Applications.



Specifications

Item	Specification	Details
Output	Beam Angle	10°, 15°, 20°, 24°, 25°, 30°, 38°, 45°, 50°, 60°, 80°, 90° Type I, Short 120° x 50° Type I, Medium 135° x 50° Type II, Short 130° Type II, Short 120° x 60° Type III, Short 120° x 60° Type V, Medium 135°
	Colour Range	TW / NW / WW
	Lumen Maintenance	50,000 hours (L70 / B50)
Electrical	Input Voltage	12V DC (For Solar Power System) 24V DC (For Solar Power System) 100 ~ 240V AC
	Power Consumption	25, 30, 46, 50, 72, 75, 92, 100, 145, 150 Watts
	Power Factor	≥ 0.9
Physical	Weight	3.5 kg (25, 30 Watts) 5 kg (46, 50 Watts) 6.5 kg (72, 75, 92 , 100 Watts) 8.7 kg (145, 150 Watts)
	Lens	Optics PMMA
	Operating Temperature	-4° F to 121° F (-20°C to 50°C) -85° F to 121° F (-65°C to 50°C) (Optional)
	Humidity	0 – 95%, non-condensing
Certification and Safety	Certifications	ETL, CE, FCC, LVD, RoHS, DLC Laser Testing, IP68, SAA
	Environment Warranty	Suitable for damp location 3 years
Length limit	12VDC : T25, T50, T75 → 6m T100 → 5m T150 → 3m	24VDC : T25, T50, T75 → 6m T100 → 5m T150 → 3m
	Two Million Worldwide Product Liability Insurance.	

Optical Characteristics

Dominant Wavelength (nm) or Colour Temperature (K)

EPISTAR LED chips

Correlated Colour Temperature	Min.	Typ.	Max.
True White	4750K	5700K	10000K
Natural White	3250K	4000K	4750K
Warm White	2500K	2700K	3250K

BRIDGELUX LED chips

Correlated Colour Temperature	Min.	Typ.	Max.
True White	4750K	5600K	7000K
Natural White	3700K	4100K	4750K
Warm White	2850K	3000K	3700K

LUXEON LED chips

Correlated Colour Temperature	Min.	Typ.	Max.
True White	5000K	6000K	6500K
Natural White	3500K	4500K	5000K
Warm White	2700K	3000K	3500K

CREE LED chips

Correlated Colour Temperature	Min.	Typ.	Max.
True White	5000K	6000K	10000K
Natural White	3700K	4300K	5000K
Warm White	2100K	3000K	3700K

Chipset Luminous Flux

12V DC / 24V DC / 100 ~ 240V AC

Chipsets	EPISTAR					
Power Consumption	25 W	50 W	75 W	100 W	150 W	
Beam Angle	130°					
True White	CRI 70	1600 lm	3200 lm	4800 lm	6400 lm	9600 lm
Natural White	CRI 70	1600 lm	3200 lm	4800 lm	6400 lm	9600 lm
Warm White	CRI 70	1200 lm	2400 lm	3600 lm	4800 lm	7200 lm

Chipsets	BRIDGELUX					
Power Consumption	30 W	46 W	72 W	92 W	145 W	
Beam Angle	130°					
True White	CRI 65	2500 lm	3600 lm	5400 lm	7200 lm	10800 lm
Natural White	CRI 80	2000 lm	3400 lm	5100 lm	6800 lm	10000 lm
Warm White	CRI 82	1800 lm	2500 lm	3750 lm	5000 lm	7500 lm

Chipsets	CREE XB-D					
Power Consumption	25 W	46 W	72 W	92 W	145 W	
Beam Angle	10° / 20° / 30° / 45° / 60° / 90° / 130° / 135° / 120°x50° / 135°x50° / 120° x 60°					
True White	CRI 70	2300 lm	4600 lm	6900 lm	9200 lm	13800 lm
Natural White	CRI 80	1950 lm	3900 lm	5850 lm	7800 lm	11700 lm
Warm White	CRI 80	1750 lm	3500 lm	5250 lm	7000 lm	10500 lm

Chipsets	LUXEON Rebel ES					
Power Consumption	25 W	46 W	72 W	92 W	145 W	
Beam Angle	15° / 24° / 30° / 50° / 60° / 90° / 130° / 135° / 120°x50° / 135°x50° / 120° x 60°					
True White	CRI 80	2550 lm	5100 lm	7650 lm	10200 lm	15300 lm
Natural White	CRI 80	2200 lm	4400 lm	6600 lm	8800 lm	13200 lm
Warm White	CRI 80	1850 lm	3700 lm	5550 lm	7400 lm	11100 lm

Chipsets	CREE XT-E					
Power Consumption	25 W	46 W	72 W	92 W	145 W	
Beam Angle	15° / 20° / 30° / 45° / 50° / 60° / 80° / 90° / 130° / 120° x 60° / 120°x50° / 135°x50°					
True White	CRI 70	2800 lm	5600 lm	8400 lm	11200 lm	16800 lm
Natural White	CRI 80	2450 lm	4900 lm	7350 lm	9800 lm	14700 lm
Warm White	CRI 80	2000 lm	4000 lm	6000 lm	8000 lm	12000 lm
		2200K				
		1750 lm	3500 lm	5250 lm	7000 lm	10500 lm
	CRI 90	1600 lm	3200 lm	4800 lm	6400 lm	9600 lm

Chipsets	OSRAM Square					
Power Consumption	25 W	46 W	72 W	92 W	145 W	
Beam Angle	15° / 25° / 38° / 45° / 50° / 60° / 80° / 90° / 130° / 135° / 120° x 50° / 135°x50° / 120°x60°					
True White	CRI 70	3100 lm	6200 lm	9300 lm	12400 lm	18600 lm
Natural White	CRI 70	2800 lm	5600 lm	8400 lm	11200 lm	16800 lm
Warm White	CRI 80	2400 lm	4800 lm	7200 lm	96000 lm	14400 lm

LUXEON Tx LED Chips

Correlated Colour Temperature	Min.	Typ.	Max.
True White	4500K	5650K	10000K
Natural White	3500K	4100K	4500K
Warm White	2540K	3100K	3500K

OSRAM LED Chips

Correlated Colour Temperature	Min.	Typ.	Max.
True White	5000K	6000K	7000K
Natural White	3500K	4000K	5000K
Warm White	2700K	3000K	3500K

Chipsets	LUXEON Tx					
Power Consumption	25 W	46 W	72 W	92 W	145 W	
Beam Angle	20° / 25° / 38° / 60° / 90° / 130° / 135° / 135°x50° / 120°x60°					
True White	CRI 70	2900 lm	5800 lm	8700 lm	11600 lm	17400 lm
Natural White	CRI 70	2550 lm	5100 lm	7650 lm	10200 lm	15300 lm
Warm White	CRI 80	2100 lm	4200 lm	6300 lm	8400 lm	12600 lm

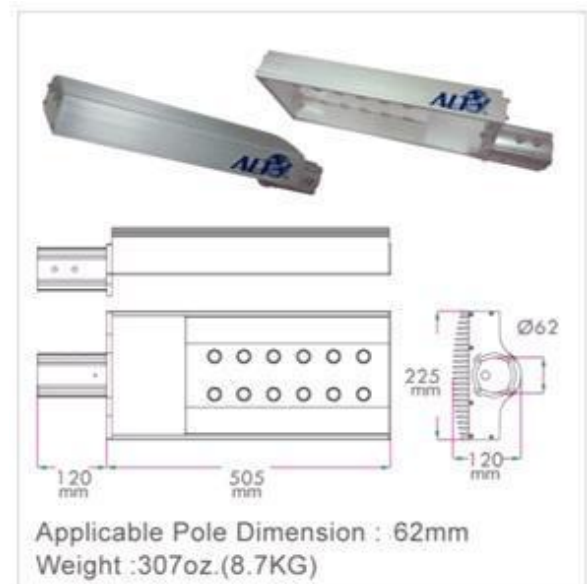
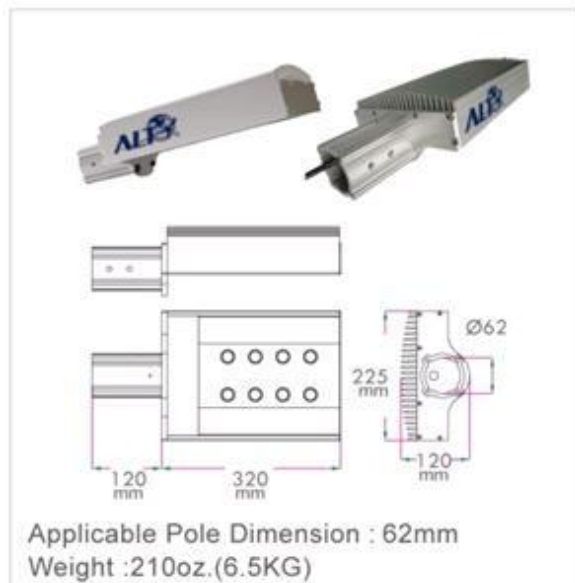
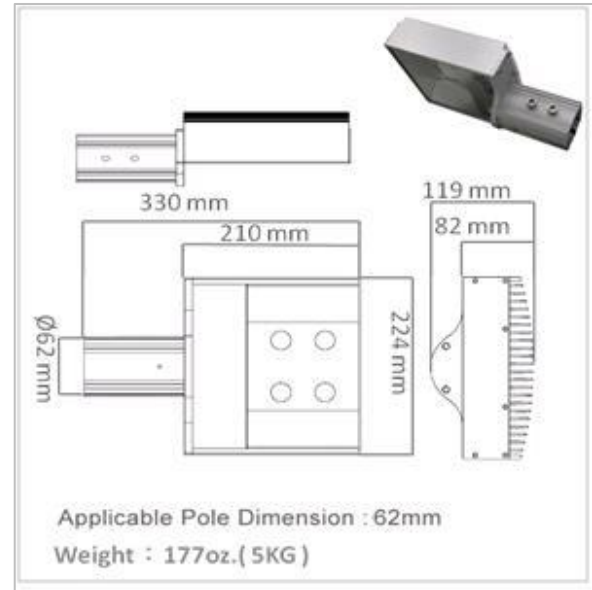
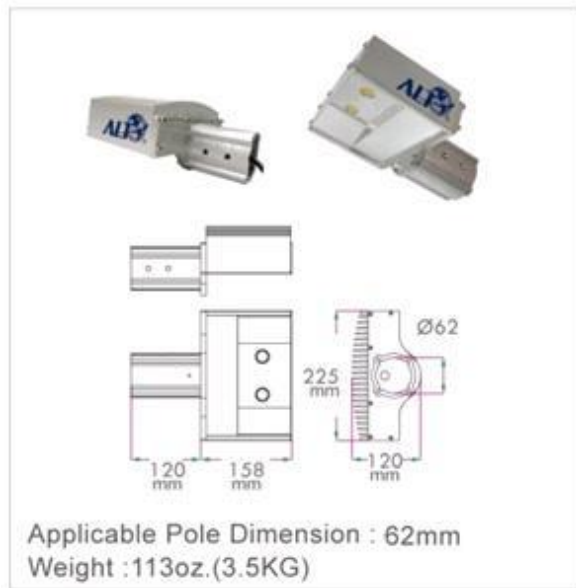
Chipsets	CREE XP-L					
Power Consumption	25 W	46 W	72 W	92 W	145 W	
Beam Angle	20° / 38° / 60° / 90° / 130° / 120° x 50° / 135°x50°					
True White	CRI 65	3400 lm	6800 lm	10200 lm	13600 lm	20400 lm
Natural White	CRI 75	3100 lm	6200 lm	9300 lm	12400 lm	18600 lm
Warm White	CRI 80	2800 lm	5600 lm	8400 lm	11200 lm	16800 lm

※All Chipset Luminous Flux Data are indicated in max values.

Accessories

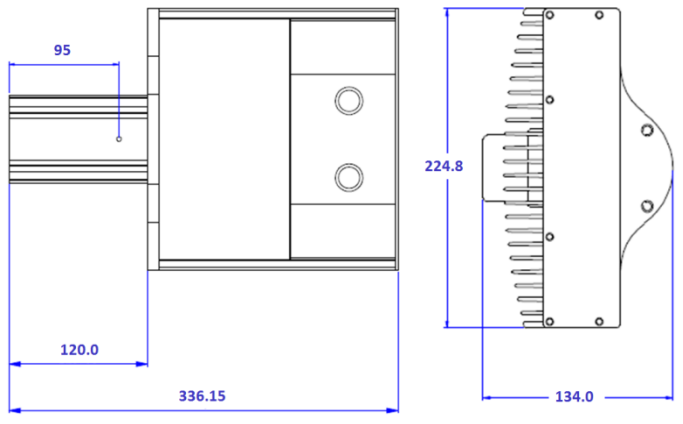
Category	Model Name	Photo
SPD	Surge Protective Device (SPD) 20KV (External / Internal Optional)	
	Surge Protective Device (SPD) 40KV (External)	-
Adapter	Waterproof Cable Adapter	

Mechanical Dimensions

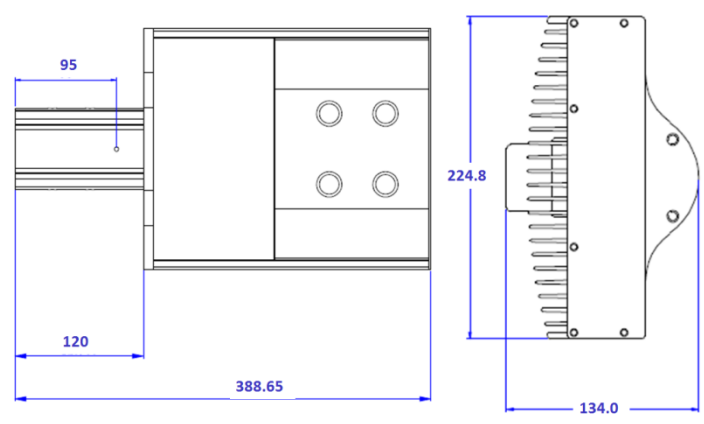


Photocell Dimensions

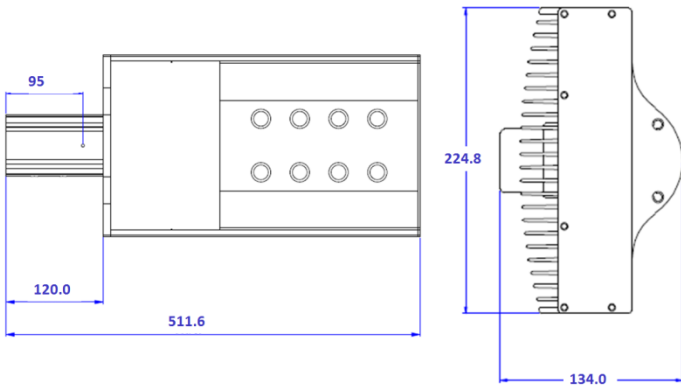
T25



T50



T75 / T100



T150

