



DYNAMO

INDUSTRIAL FIXTURES

Round high bay



The Dynamo series is an elegantly designed high bay LED luminaire that brings out the best of your space. The Dynamo's high efficacy of 130LPW and wide selection of CCT options allows you to enhance your project spaces, whether that be a factory, commercial gym, or showroom. The Dynamo series is NSF rated making it ideal for installation in areas where ease of clean is important.

Project: _____

Qty: _____

Notes: _____

OPERATING & ELECTRICAL

Input voltage 120-277V
Power factor 0.9
Total harmonic distortion (THD) <20%
Dimming 0-10V external dimming down to 10%

PERFORMANCE

Lumens per Watt 130 LPW at 80CRI
Power 100, 150, 200W
Beam angle 60°, 90°, 120°

MECHANICAL & HOUSING

Housing Forged from cold rolled magnesium alloy for superior heat dissipation, strength, and rigidity.

Lens Highly durable polycarbonate lens ensures high efficiency light output for a clean, evenly illuminated surface with minimal glare. High transmittance lens allowing for a smooth, diffused light pattern.

Finish Black
Power Supply Factory wired electronic LED driver
LED Board Light emitted source

APPLICATION CONDITION

Ambient temperature range -40 to 50°C
Protection IP65 rated, IK08 impact

COMPATIBLE MOUNTING

Mounting Suspended, 3/4" NPT pole (with adapter)

WARRANTY

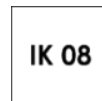
System warranty 5 years
Lumen maintenance Rated for 70% initial lumen output at 100,000 hours of operation, operated at 25°C ambient temperature; per guidelines published by the Illuminating Engineering Society (IES). (L70 at 100,000 hours)

ORDERING GUIDE

EXAMPLE: AE-IL-DM100W-UC-40-60D-112L-D

AE-IL-DM	100W	-UC	-40	-60D	-112L	-D
FIXTURE FAMILY	POWER	VOLTAGE	CCT	BEAM ANGLE	CODE	DIMMING
AE-IL-DM Aeralux Dynamo industrial fixtures round high bay	100W 100 Watts: 13,000 lumens	-UC 120-277Vac input voltage range	-40 4000K CCT	-60D 60° beam angle	-112L	-D 0-10V external dimming down to 10%
	150W 150 Watts: 19,500 lumens			-50 5000K CCT	-90D 90° beam angle	
	200W 200 Watts: 26,000 lumens		-120D 120° beam angle	-224L		

* Only for 100W and 150W models

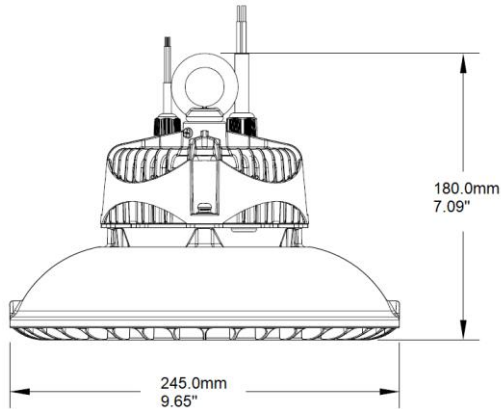


Aeralux Incorporation All Rights Reserved. Any information provided is subject to change without notice. All values are typical values when measured under normal laboratory conditions.

PRODUCT DIMENSIONS

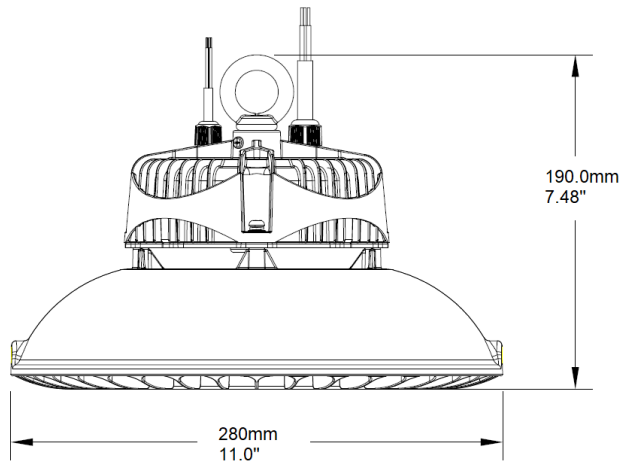
AE-IL-DM100W

Weight: 5lbs (2.25Kg)



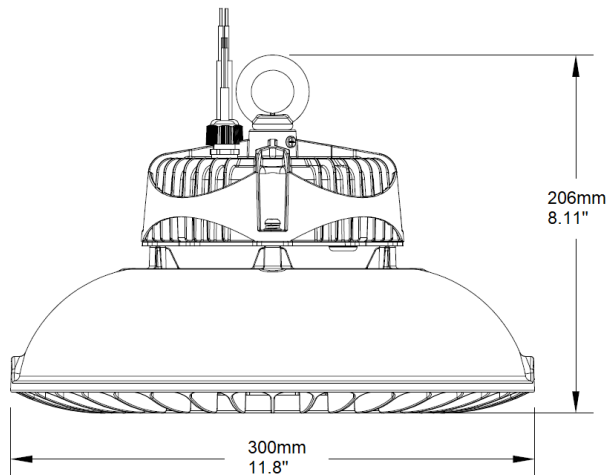
AE-IL-DM150W

Weight: 7.5lbs (3.40Kg)



AE-IL-DM200W

Weight: 8.7lbs (3.95Kg)



LUMEN ESTIMATE

Lumen output varies based on CCT and CRI. An estimate of lumen output of the various CCT/CRI combinations, use correction factors as per table below:

Lumen estimate adjustment factors				
CCT	2700K	3000K	3500K	4000K
NORMAL (80CRI)	0.91	0.94	0.97	1

PHOTOMETRIC DATA

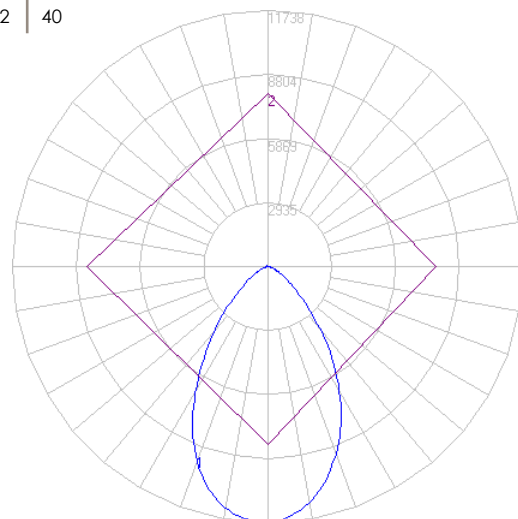
AE-IL-DM100W-UC-40-60D-168L-D

Coefficients of utilization												
Ceiling	80%				70%		50%		30%		0%	
Wall	70%	50%	30%	10%	50%	10%	50%	10%	50%	10%	0	
RCR	Zonal Cavity Method – Effective floor reflectance = 20%											
Room Cavity Ratio	0	119	119	119	119	116	116	111	111	106	106	99
	1	112	109	106	103	106	101	102	98	98	95	90
	2	105	99	94	90	97	89	94	87	91	85	81
	3	98	91	85	80	89	79	86	78	84	76	73
	4	92	83	76	71	82	71	79	70	77	69	66
	5	86	76	69	64	75	64	73	63	72	63	60
	6	81	71	64	58	70	58	68	58	66	57	55
	7	76	65	58	53	65	53	63	53	62	53	51
	8	72	61	54	49	60	49	59	49	58	48	47
	9	68	57	50	45	56	45	55	45	54	45	43
	10	64	53	47	42	53	42	52	42	51	42	40

Luminance data			
Angle	0°	45°	90°
45°	212096	209833	207569
55°	111427	108641	105856
65°	65865	64257	62648
75°	38602	37779	36956
85°	19113	18435	17757

Zonal lumen

Zone	Lumens	Zone	Lumens
0-10	1086.39	90-100	1.34
10-20	2886.2	100-110	2.6
20-30	3673.5	110-120	5.19
30-40	3214.79	120-130	9.38
40-50	2039.68	130-140	14.03
50-60	1014.97	140-150	16.96
60-70	475.6	150-160	16.77
70-80	181.42	160-170	12.77
80-90	31.12	170-180	4.9



ACCESSORIES

Ordered separately, field installed

REFLECTOR

AE-IL-PT-RFL-ALU-60

AE-IL-PT-RFL-ALU-90

60° beam angle aluminum reflector

90° beam angle aluminum reflector



AE-IL-PT-RFL-PC-70

70° beam angle polycarbonate reflector



POLE MOUNT ADAPTER

AE-IL-PT-POLEMOUNT

3/4" NPT pole mount adapter (M10 screw) – black finish

AIRCRAFT CABLE

GI-16XC24-CC-TG-120

Aircraft suspension cable for weights up to 10Kg (22lbs)



DYNAMO

INDUSTRIAL FIXTURES

Round high bay

PREMIUM MATERIALS

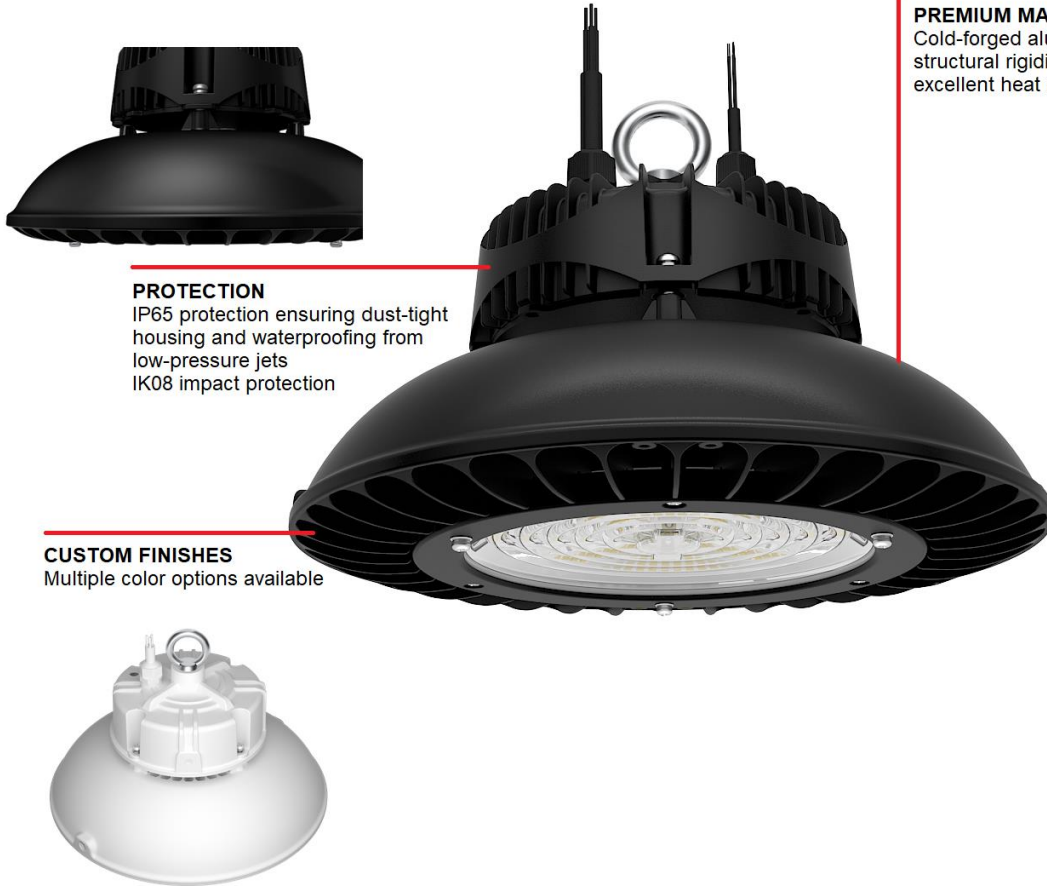
Cold-forged aluminum provides superior structural rigidity while ensuring excellent heat dissipation

PROTECTION

IP65 protection ensuring dust-tight housing and waterproofing from low-pressure jets
IK08 impact protection

CUSTOM FINISHES

Multiple color options available



Aeralux Inc.
1-514-447-7598 | 1-630-534-2589
www.aeralux.com

Aeralux Incorporation All Rights Reserved. Any information provided is subject to change without notice. All values are typical values when measured under normal laboratory conditions.

aeralux