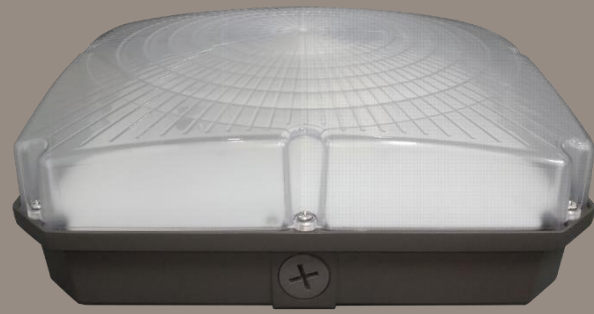




# GLACIER

OUTDOOR PRODUCTS  
Outdoor canopy light



The Glacier Series outdoor luminaire is designed as a parking garage fixture, directly customizable in a variety of power and CCT options for your lighting application needs. The curved lens features a 140° shaped beam. Its robust and durable design allow it to withstand the outdoor elements wherever placed.

Project: \_\_\_\_\_  
 Qty: \_\_\_\_\_  
 Notes: \_\_\_\_\_

### OPERATING & ELECTRICAL

**Input voltage** 120-277V, 277-480V  
**Power factor** 0.9  
**Total harmonic distortion (THD)** <20%  
**Dimming** 0-10V external dimming down to 10%

### PERFORMANCE

**Lumens per Watt** 120 LPW at 80CRI  
**Power** 40, 60, 70W  
**Beam angle** 140°

### MECHANICAL & HOUSING

**Housing** Aluminum die cast housing for superior heat dissipation, strength, and rigidity.  
**Lens** UV resistant, polycarbonate lens ensures high efficiency light output for a clean, evenly illuminated surface with minimal glare. High transmittance lens allowing for a smooth, diffused light pattern.

**Finish** Powder coat finish for the toughest outdoor conditions. Available in bronze color.

**Power Supply** Factory wired electronic LED driver

**LED Board** Light emitted source

### APPLICATION CONDITION

**Ambient temperature range** -40 to 50°C

**Protection** Wet location rated

### COMPATIBLE MOUNTING

**Mounting** Surface, 3/4" NPT pole mount

### WARRANTY

**System warranty** 5 years

**Lumen maintenance** Rated for 85% initial lumen output at 50,000 hours of operation, operated at 25°C ambient temperature; per guidelines published by the Illuminating Engineering Society (IES). (L85 at 50,000 hours)

### ORDERING GUIDE

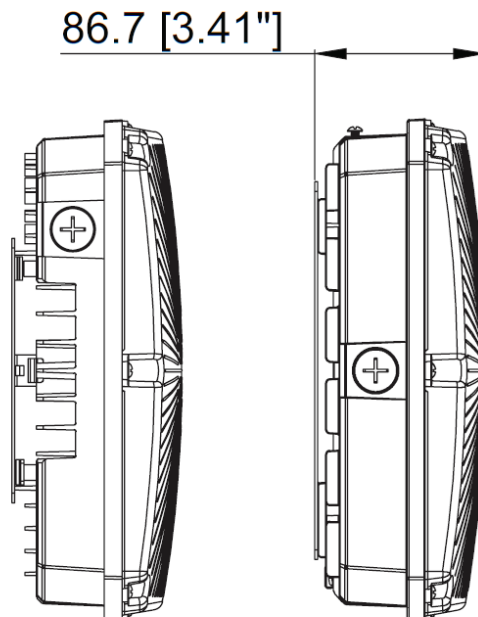
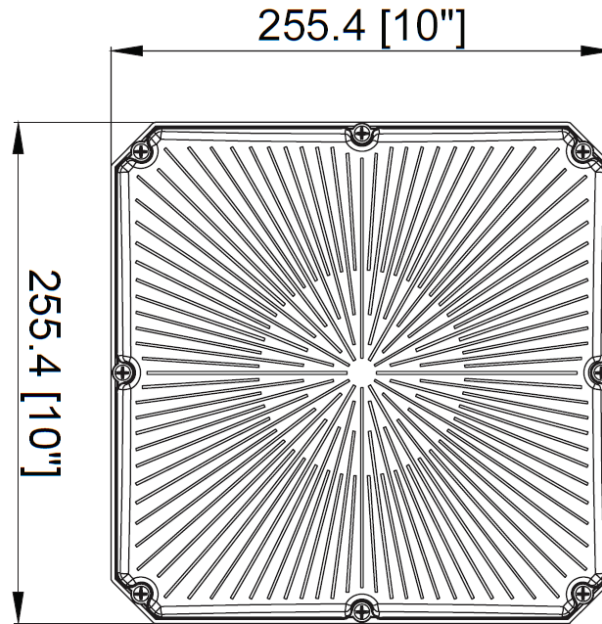
EXAMPLE: AE-OD-GC-1040-40W-C-35K

AE-OD-GC	-1040	-40W	-C	-	35K	
FIXTURE FAMILY	SIZE & SHAPE	POWER	BEAM ANGLE	VOLTAGE	CCT	CONTROLS
AE-OD-GC Aeralux Glacier Series outdoor canopy light fixture	-1040 10" square shape	-40W 40 watts: 4800 lumens	-C 140° beam angle	-[LEAVE BLANK] 120-277Vac input voltage range	-40K 4000K CCT	[LEAVE BLANK] 0-10V external dimming down to 10%
	-1060 10" square shape	-60W 60 watts: 7200 lumens			-50K 5000K CCT	
	-1070 10" square shape	-70W 70 watts: 8400 lumens		-HV 277-480Vac input voltage	-57K 5700K CCT	



**PRODUCT DIMENSIONS**

AE-OD-GC



## LUMEN ESTIMATE

Lumen output varies based on CCT and CRI. An estimate of lumen output of the various CCT/CRI combinations, use correction factors as per table below:

Lumen estimate adjustment factors				
CCT	2700K	3000K	3500K	4000K
NORMAL (80CRI)	0.91	0.94	0.97	1

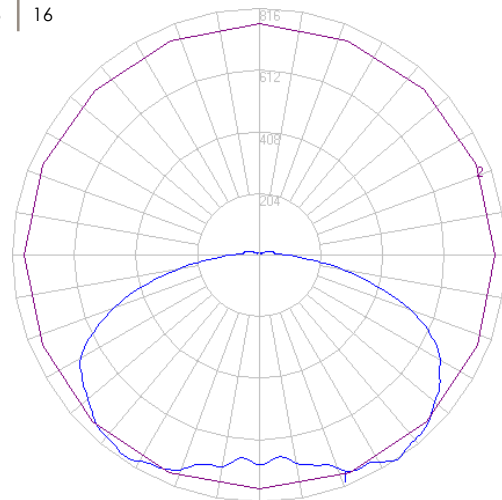
## PHOTOMETRIC DATA

AE-OD-GC-1030-28W-C-40K

Coefficients of utilization											
Ceiling	80%				70%		50%		30%		0%
Wall	70%	50%	30%	10%	50%	10%	50%	10%	50%	10%	0
RCR	Zonal Cavity Method – Effective floor reflectance = 20%										
	118	118	118	118	115	115	109	109	103	103	95
1	105	99	94	89	96	87	91	83	86	80	74
2	94	84	76	69	82	68	77	66	73	63	59
3	84	72	63	55	70	54	66	53	63	51	47
4	76	63	53	45	61	45	58	43	55	42	39
5	70	55	45	38	54	37	51	36	48	36	32
6	64	49	39	32	48	32	45	31	43	30	27
7	59	44	34	28	43	28	41	27	39	26	24
8	54	40	31	24	39	24	37	24	35	23	21
9	51	36	27	21	35	21	34	21	32	21	18
10	47	33	25	19	33	19	31	19	30	18	16

Luminance data			
Angle	0°	45°	90°
45°	16482	16460	16326
55°	18855	18753	18557
65°	21245	22087	21321
75°	23068	22831	23342
85°	27644	26670	28109

Zonal lumen			
Zone	Lumens	Zone	Lumens
0-10	65.35	90-100	65.46
10-20	204.8	100-110	46.66
20-30	358.38	110-120	26.2
30-40	501.9	120-130	13.32
40-50	601.73	130-140	9.31
50-60	648.15	140-150	8.02
60-70	610.66	150-160	4.43
70-80	424.58	160-170	2.29
80-90	185.81	170-180	0.75





### PREMIUM MATERIALS

UV resistant polycarbonate lens for enhanced durability in outdoor spaces. Constructed from aluminum die-cast which provides excellent heat dissipation and structural integrity.

### MULTIPLE MOUNTING METHODS

Fixture compatible with 3/4" NPT poles, or secure the fixture flush with the mounting surface



### ACCESSORIES

Multiple accessories for purchase with fixture such as microwave sensors and photocell caps.

Aeralux Inc.  
1111, Dr Frederik-Philips, Suite 202, Montreal, QC H4M 2X6, Canada  
950 N Dupage Ave., Lombard, IL, 60148, USA  
514 447 7598 | 1-630-534-2589  
[www.aeralux.com](http://www.aeralux.com)

Aeralux Incorporation All Rights Reserved. Any information provided is subject to change without notice. All values are typical values when measured under normal laboratory conditions.