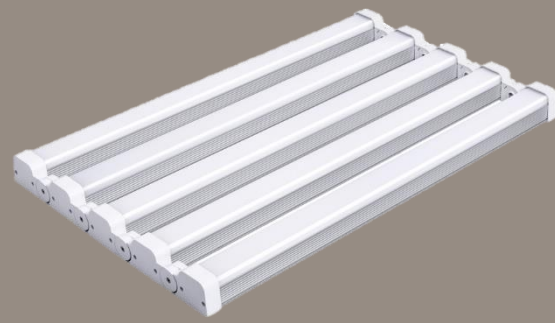




AQTR

INDUSTRIAL FIXTURES
LED deformation High Bay



The AQTR is an exclusive design that can be modified to different DIY shapes: Arc-shape, V-shape, Wave-shape or the classic Flat-shape. The luminaire satisfies different illum demands, different wattages and beam angles; producing a high lumen output indoors with high luminous efficiency. Built with 0.8mm aluminum housing for excellent heat dissipation. This fixture is hassle-free and easy to install.

Project: _____

Qty: _____

Notes: _____

OPERATING & ELECTRICAL

Input voltage 120-277V
Power factor 0.9
Total harmonic distortion (THD) <20%
Dimming No dimming
PERFORMANCE
Lumens per Watt 110 LPW at 80CRI
Power Distribution 45, 75, 90, 105, 150, 210W
Lambertian

MECHANICAL & HOUSING

Housing 22-gauge painted sheet metal for increased rigidity and strength
Lens Highly durable polycarbonate lens ensures high efficiency light output for a clean, evenly illuminated surface with minimal glare. High transmittance lens allowing for a smooth, diffused light pattern.

Finish White
Power Supply Factory wired electronic LED driver
LED Board Light emitted source
APPLICATION CONDITION
Ambient temperature range -10 to 45°C
Protection IP20
COMPATIBLE MOUNTING
Mounting Surface, suspended mount
WARRANTY
System warranty 5 years
Lumen maintenance Rated for 85% initial lumen output at 50,000 hours of operation, operated at 25°C ambient temperature; per guidelines published by the Illuminating Engineering Society (IES). (L85 at 50,000 hours)

ORDERING GUIDE

EXAMPLE: AE-SF-AQTRUVB90WNF40

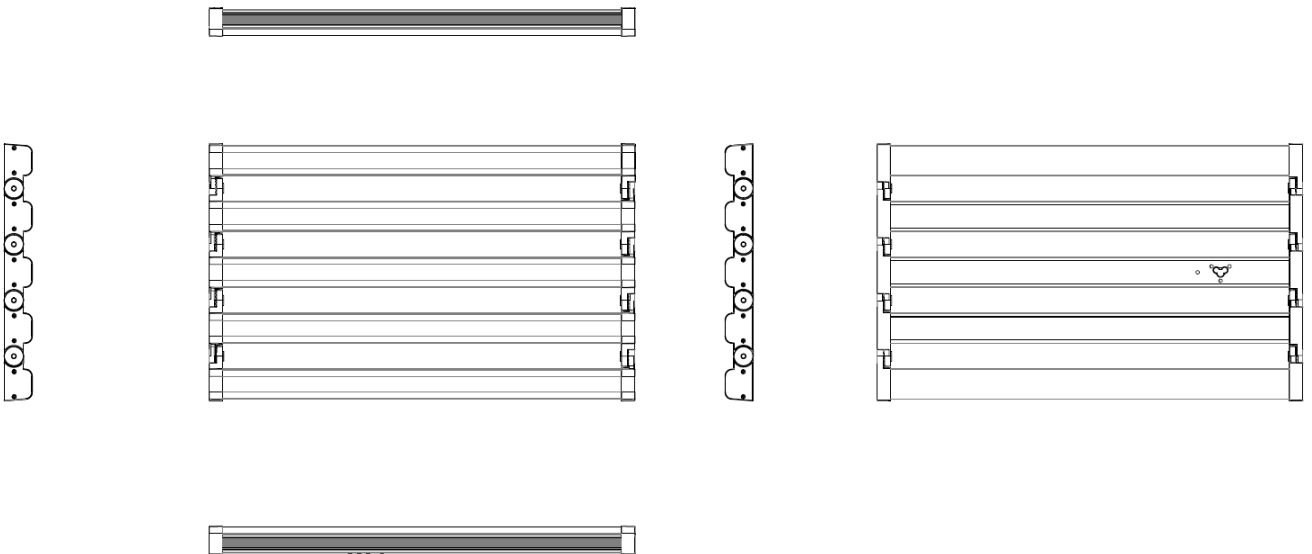
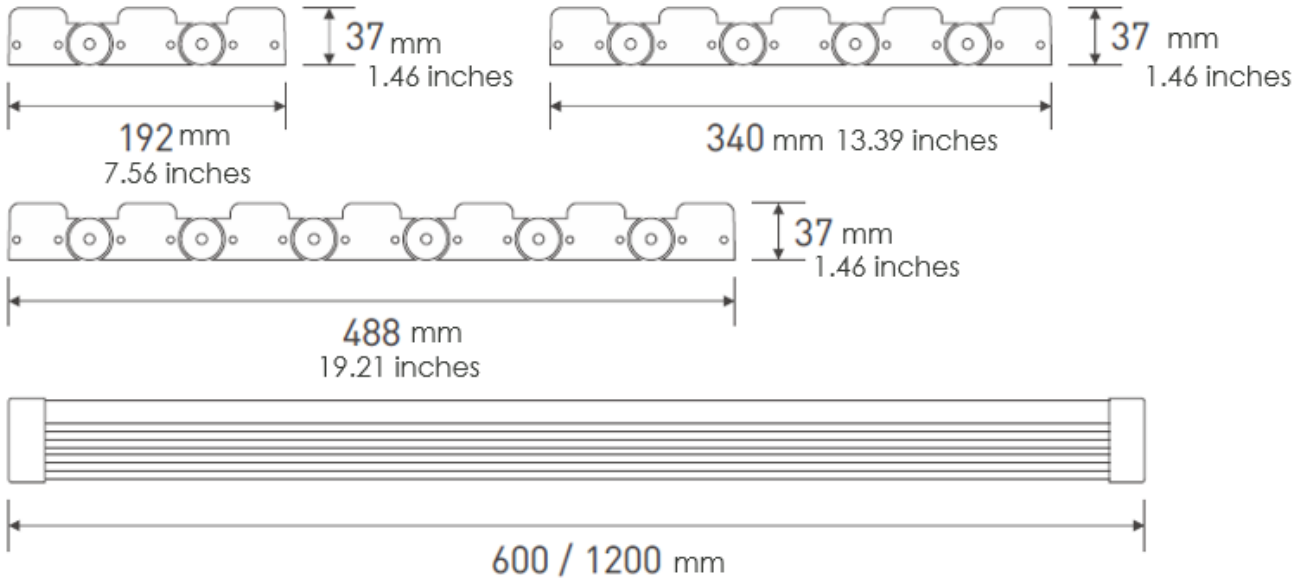
AE-SF-AQTR	UV	2FT	045W	N	F	40
FIXTURE FAMILY	VOLTAGE	SIZE	WATTAGE	CRI	COVER	CCT
AE-SF-AQTR Aeralux industrial fixtures LED deformable High Bay	3UV 120-277Vac	2FT 2 feet	045W 45 Watts: 5400 lumens	N Normal 80CRI	F Frosted lens ensures no striation on light beam	40 4000K CCT
	5UV 120-277Vac	2FT 2 feet	075W 75 Watts: 9000 lumens			
	7UV 120-277Vac	2FT 2 feet	105W 105 Watts: 12600 lumens			
	3UV 120-277Vac	4FT 4 feet	090W 90 Watts: 10800 lumens			
	5UV 120-277Vac	4FT 4 feet	150W 150 Watts: 18000 lumens			
	7UV 120-277Vac	4FT 4 feet	210W 210 Watts: 25200 lumens			

Note: This equipment has a 200W continuous connection limit.



PRODUCT DIMENSIONS

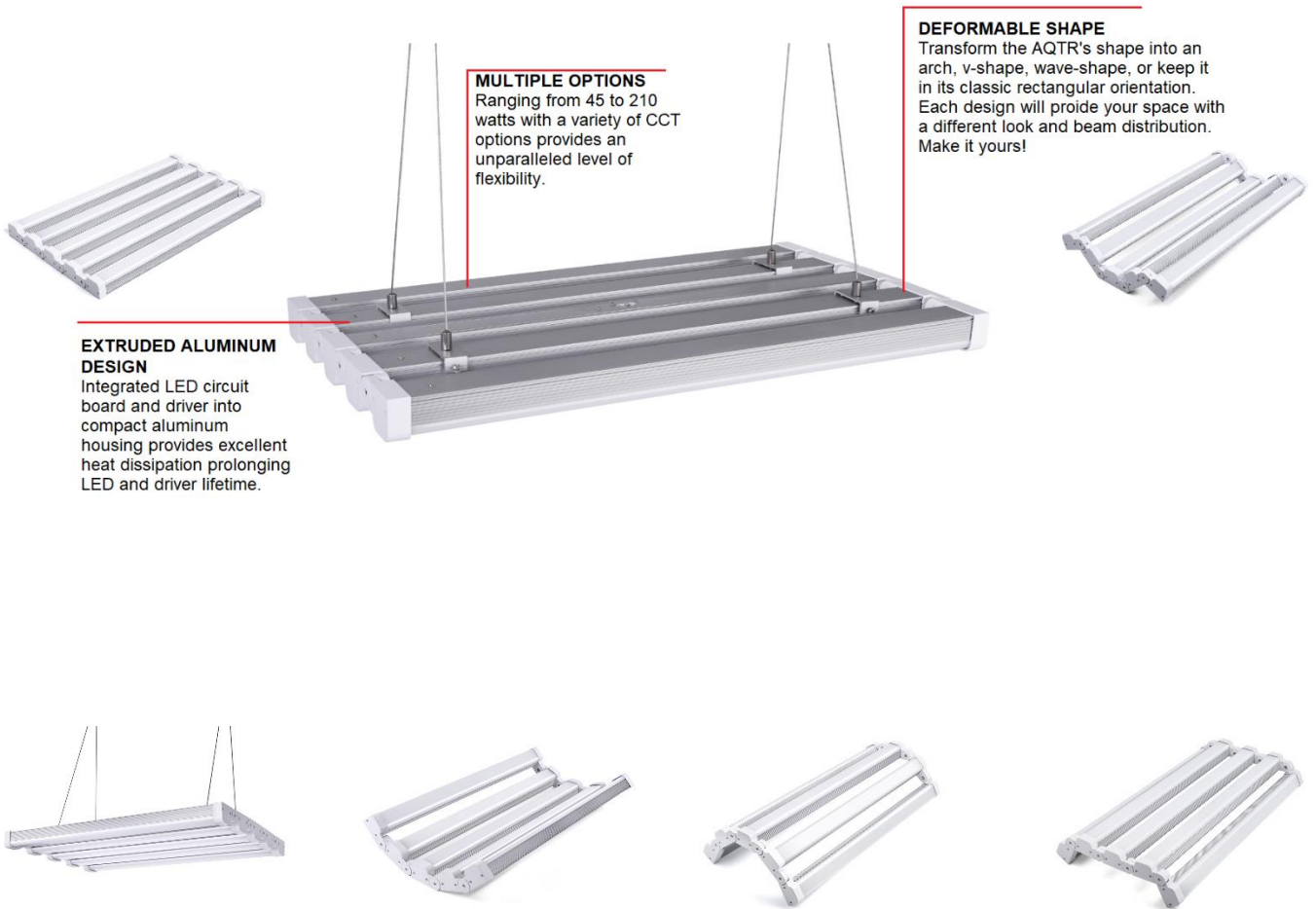
AE-SF-AQTR





AQTR

INDUSTRIAL FIXTURES
LED deformation High Bay



MULTIPLE OPTIONS
Ranging from 45 to 210 watts with a variety of CCT options provides an unparalleled level of flexibility.

DEFORMABLE SHAPE
Transform the AQTR's shape into an arch, v-shape, wave-shape, or keep it in its classic rectangular orientation. Each design will provide your space with a different look and beam distribution. Make it yours!

EXTRUDED ALUMINUM DESIGN
Integrated LED circuit board and driver into compact aluminum housing provides excellent heat dissipation prolonging LED and driver lifetime.

Aeralux Inc.
1-514-447-7598 | 1-630-534-2589
www.aeralux.com

Aeralux Incorporation All Rights Reserved. Any information provided is subject to change without notice. All values are typical values when measured under normal laboratory conditions.

aeralux