



**GET YOUR PRODUCTS FAST**  
 Arani is committed to same day shipping on orders before 3pm (EST)\*.

Date: \_\_\_\_\_ Project: \_\_\_\_\_  
 Prepared for: \_\_\_\_\_ Type: \_\_\_\_\_  
 Comments: \_\_\_\_\_



# EMERGENCY BATTERY UNIT

## 36W | LED DOUBLE HEAD

**5** years  
 Limited Warranty

Lifetime  
 50 000 hours

IP40  
 Suitable for use in damp locations



### SPECIFICATIONS

- Surface-Mount / Conduit-Mount
- Battery Life: 2+ Hours
- Battery Power: 36W
- LED Double Head (Tilt & 180° Rotation)
- Test Function
- Knockouts on Sides & Back
- Input Voltage: 120-347VAC
- Output Voltage: 6V DC
- IP40 - Suitable for Damp Locations
- Functioning Temperature: 0°C to 40°C

### AVAILABILITY

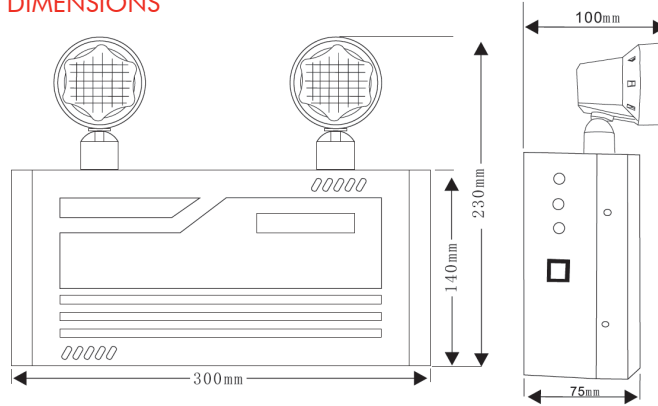
36W  
 5000K  
 120-347VAC

\*This icon indicates a STOCK item: Look for this Same Day Shipping icon below in 'Ordering Information' for products that ship out on the same day (orders must be placed before 3pm EST)



4ft Power Cord  
 EX-PC4  
 Always Sold Separately

### DIMENSIONS



### CIRCUITRY

Lead-Acid Battery: 6V/6Ah Recharge Time: 20 Hours	
AC120V 50/60Hz	Input Wattage: 3.2W
	Input Current: 0.03A
	Efficiency: 0.97P
AC277V 50/60Hz	Input Wattage: 3.3W
	Input Current: 0.01A
	Efficiency: 0.92P
AC347V 50/60Hz	Input Wattage: 3.6W
	Input Current: 0.01A
	Efficiency: 0.92P

BATTERY VOLTAGE IS NEGATIVELY CORRELATED TO INPUT WATTAGE

### ORDERING INFORMATION

SERIES	BATTERY LIFE	BATTERY POWER (WATTS)	LED POWER (WATTS)	LUMENS	EFFECTIVE BATTERY POWER AFTER LED (WATTS)	INPUT VOLTAGE	OUTPUT VOLTAGE	MODEL NUMBER
EMERGENCY BATTERY UNIT	2+ HOURS	36W	2 X 2	2 X 160	32W	120-347VAC	6VDC	EX-BA1-36W-V1