

YOU DESERVE

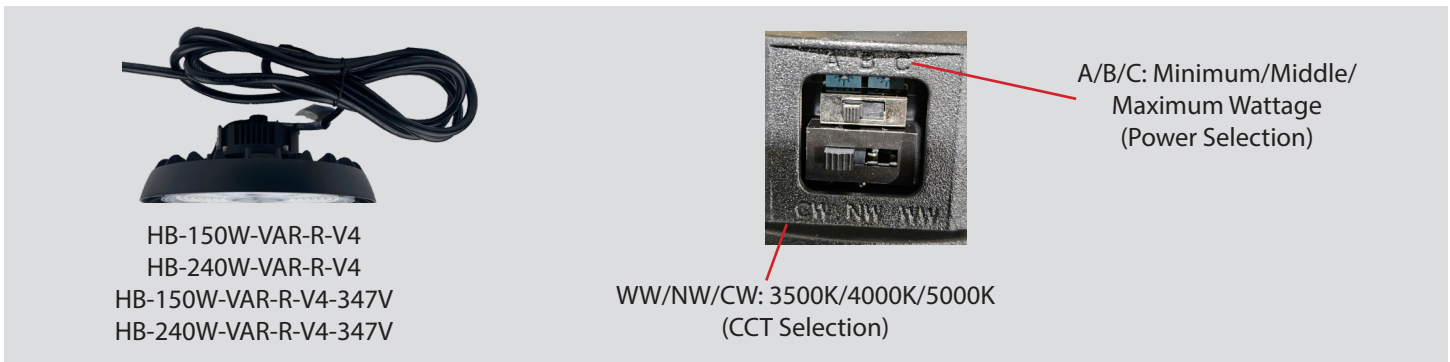


Date:	Project:
Prepared for:	Type:
Comments:	

LED HIGH BAY

PRODUCT OVERVIEW

Introducing our new generation of LED High Bay. Ideal to light your spaces with a ceiling height from 20 to 40ft from the floor. This product is DLC Premium, NSF and UL certified, attesting to its high quality and versatile use for your commercial and industrial projects.



ARANI High Bay Specifications

Electrical Characteristics	<ul style="list-style-type: none"> • Input Voltage: 100-277Vac or 347-480Vac 50-60Hz • Power Selectable: 100W/125W/150W or 150W/200W/240W • Equivalent to: 250W or 400W
Power cord length	• 6ft
IP Rating	• IP65: Suitable for wet locations
Colour Temperature	• Selectable: 3500K/4000K/5000K
Beam Spread	• 110°
Colour Rendering Index	• 80+
Lumen output	<ul style="list-style-type: none"> • 20250lm for 150W • 32400lm for 240W
Operating Temperatures	• -40°C to 50°C
Material	<ul style="list-style-type: none"> • Aluminum Casing • Zinc alloy Hook • Polycarbonate Lens
Dimmable	• 0-10V Dimmable
Colours Available	• Black
Codes & Standards	<ul style="list-style-type: none"> • NSF • DLC Premium • UL Certified • NEMA 4X
Lifetime	• 50 000 hours
Warranty	• 5 years



YOU DESERVE



Date:	Project:
Prepared for:	Type:
Comments:	

ORDERING INFORMATION

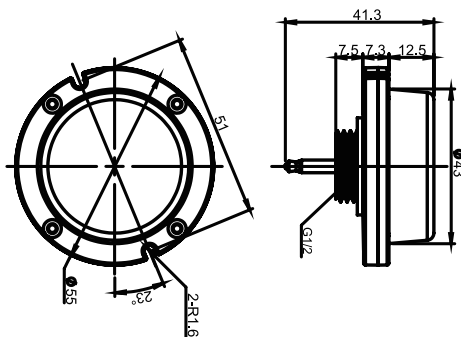
Series	Input Voltage	Rated Power	Equivalent to	Lumen Output	Colour Temperature	DLC Product ID	Model Number	Ordering Code
High Bay V4	120-277Vac	Selectable 100W 125W 150W	250W	20250lm at 150W	Selectable 3500K 4000K 5000K	S-72GIJK	HIG12R0150W-110-H-TCP-V4	HB-150W-VAR-R-V4
	277-480Vac				S-7RTZY6	HIG12R0150W-110-H-HV-TCP-V4	HB-150W-VAR-R-V4-347V	
	120-277Vac	Selectable 150W 200W 240W	400W	32400lm at 240W	Selectable 3500K 4000K 5000K	S-57I41R	HIG12R0240W-110-H-TCP-V4	HB-240W-VAR-R-V4
	277-480Vac				S-4JP5FX	HIG12R0240W-110-H-HV-TCP-V4	HB-240W-VAR-R-V4-347V	

OPTIONAL MOTION SENSORS (120-277Vac only)



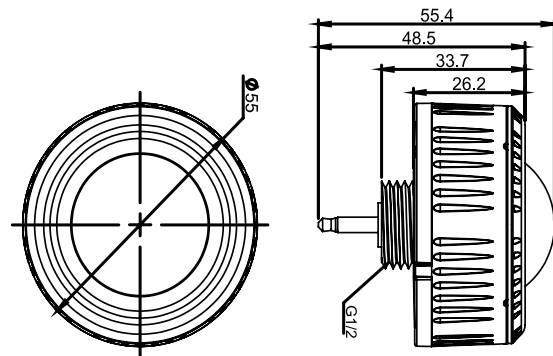
12V High-Frequency (Micro-wave) Motion Sensor
HB-MS-V3
 Sold Separately

Dim Control Output: 0-10V
 Max sinking current : 25mA
 HF System: 5.8GHz ± 75MHz
 Transmission Power: <0.2mW
 Detection Radius: 20%/50%/75%100% (1-8m)
 Mounting Height: Max 40ft. (12 meters)
 Operating Temperature: -20°C to 60°C
 Time Setting: 10s/ 1min/5min/10min/15min/20min/30min/60min
 Light Control: 24H/ 10Lux/ 30Lux/ 50Lux
 Factory Default Setting: 100% sensitivity
 Hold on time: 5min, Daylight sensor is on
 Dimming level: 30%
 Dimming time: 60min



12V PIR Motion Sensor
HB-PIR-V3
 Sold Separately

Dim Control Output: 0-10V
 Max sinking current : 25mA
 Remote Range: 50ft. (15m) indoor
 Detection Radius: 20%/50%/75%100% (1-8m)
 Mounting Height: Max 40ft. (12 meters)
 Operating Temperature: -20°C to 60°C
 Time Setting: 10s/ 1min/5min/10min/15min/20min/30min/60min
 Light Control: 24H/ 10Lux/ 30Lux/ 50Lux
 Factory Default Setting: 100% sensitivity
 Goes 25% after 5min and goes off after 30min
 Hold on time: 5min, Daylight sensor is on
 Dimming level: 30%
 Dimming time: 60min



Series	Compatible with	Input Voltage	Ordering Code
Motion sensor for LED High Bay V4	LED High Bay V4	12V	HB-MS-V3
			HB-PIR-V3

