

YOU DESERVE



Date:	Project:
Prepared for:	Type:
Comments:	

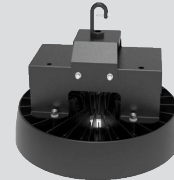
HIGH BAY 300W

PRODUCT OVERVIEW

Introducing our new generation of LED High Bay. Ideal to light your spaces with a ceiling height from 20 to 40ft from the floor. This product is DLC Premium, NSF and UL certified, attesting to its high quality and versatile use for your commercial and industrial projects.




HB-300W-50K-R-V3



HB-300W-50K-R-V3-347V

Specifications High Bay 300W ARANI

Electrical Characteristics	<ul style="list-style-type: none"> • Input Voltage: 120-277Vac or 277-480Vac 50-60Hz • Rated Power: 300W • Equivalent to 1000W MH
Power cord length	• 6ft
IP Rating	• IP65: Suitable for wet locations
Colour Temperature	• 5000K
Beam Spread	<ul style="list-style-type: none"> • 85° for 120-277Vac • 110° for 277-480Vac
Colour Rendering Index	• 80+
Lumen Output	• 41500lm
Operating Temperatures	• -40°C to 45°C
Material	<ul style="list-style-type: none"> • Aluminum body • Polycarbonate lens
Dimmable	• 0-10V Dimmable
Colours available	• Black
Codes & Standards	<ul style="list-style-type: none"> • UL Certified • DLC Premium • NSF 
Lifetime	• 50 000 hours
Warranty	• 5 years

ORDERING INFORMATION

Series	Input Voltage	Rated Power	Equivalent to	Lumen Output	Colour Temperature	DLC Product ID	Model Number	Ordering Code
High Bay 300W	120-277Vac	300W	1000W MH	41500lm	5000K	S-5EH4SU	HIG12R0300W-85-H-50K-V3	HB-300W-50K-R-V3
	277-480Vac	300W	1000W MH	41500lm	5000K	S-09OLI6	HIG12R0300W-110-H-HV-50K-V3	HB-300W-50K-R-V3-347V



YOU DESERVE



Date:	Project:
Prepared for:	Type:
Comments:	

OPTIONAL MOTION SENSORS (Only for 120-277Vac)



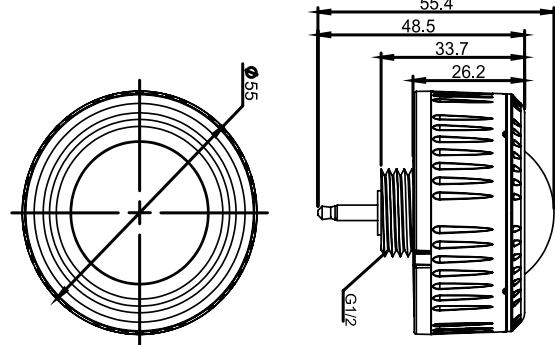
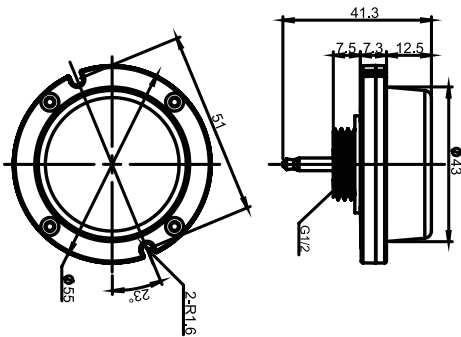
12V High-Frequency (Micro-wave) Motion Sensor
HB-MS-V3
 Sold Separately



12V PIR Motion Sensor
HB-PIR-V3
 Sold Separately

Dim Control Output: 0-10V
 Max sinking current : 25mA
 HF System: 5.8GHz ± 75MHz
 Transmission Power: <0.2mW
 Detection Radius: 20%/50%/75%100% (1-8m)
 Mounting Height: Max 40ft. (12 meters)
 Operating Temperature: -20°C to 60°C
 Time Setting: 10s/ 1min/5min/10min/15min/20min/30min/60min
 Light Control: 24H/ 10Lux/ 30Lux/ 50Lux
 Factory Default Setting: 100% sensitivity
 Hold on time: 5min, Daylight sensor is on
 Dimming level: 30%
 Dimming time: 30min

Dim Control Output: 0-10V
 Max sinking current : 25mA
 Remote Range: 50ft. (15m) indoor
 Detection Radius: 20%/50%/75%100% (1-8m)
 Mounting Height: Max 40ft. (12 meters)
 Operating Temperature: -20°C to 60°C
 Time Setting: 10s/ 1min/5min/10min/15min/20min/30min/60min
 Light Control: 24H/ 10Lux/ 30Lux/ 50Lux
 Factory Default Setting: 100% sensitivity
 Goes 25% after 5min and goes off after 30min
 Hold on time: 5min, Daylight sensor is on
 Dimming level: 30%
 Dimming time: 30min



Series	Compatible with	Input Voltage	Ordering Code
Motion sensor for LED High Bay V3	LED High Bay V3 120-277Vac only	12V	HB-MS-V3
			HB-PIR-V3

