

**REQUIRED BULB  
(NOT INCLUDED)**



**MR16-35W MAX**

**WARNINGS:  
SHUT OFF POWER TO SERVICE LEADS (120V)  
BEFORE PROCEEDING WITH CONNECTIONS.**

**Instructions:**

**INSTALLATION HOLE:**

**3 7/8" DIA.**

**Step 1**

Lay box on a flat surface. Unsnap the decorative trim. Remove the bag containing protective lens (x1). Remove the bulb housing from the box. Remove the 4 hanger bars from the box by fully opening the junction box. Close the inside cover of the junction box once the bars are out.

**Step 2:**

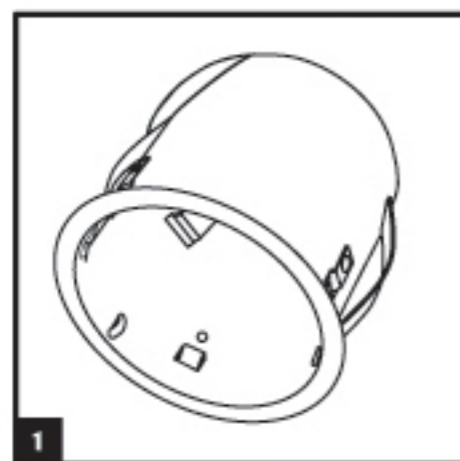
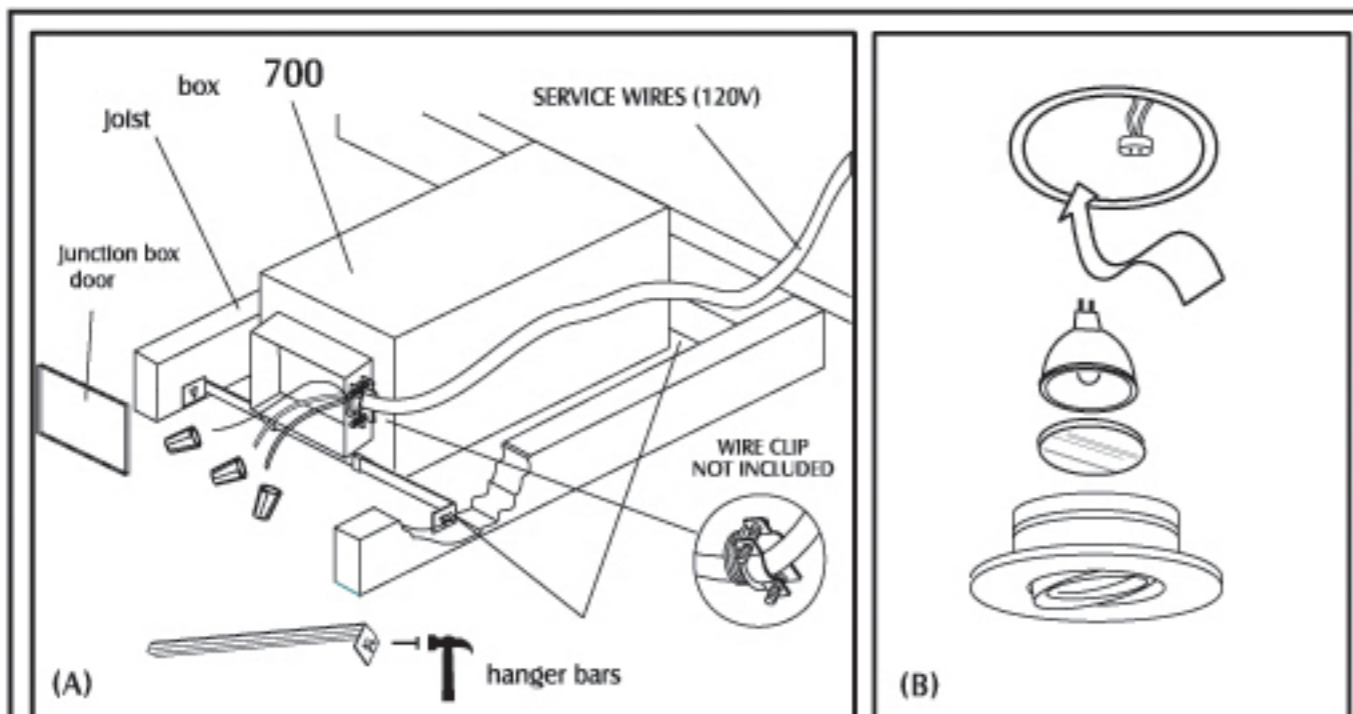
Insert the 4 hanger bars in the side slots of the 700 box. Position the box on the same level with bottom of joists and secure with a hammer and nails or wood screws. (A) If ceiling is already in place and accessible (example: attic), simply put the box on the ceiling panel and attach to joists as described above. Shut off power supply to service leads (120V) and route them into the 700 box. Secure service leads to junction box with a standard wire clip (not included). Do wiring connections. White wire (neutral) with white wire from box, black wire (hot) to colored wire from box and bare copper wire from box to ground cable. Tuck all wires into junction box and close with cover plate, cover the box with a vapor barrier suitable for 90°C. A paper laminated with foil (one side) should be appropriate, see your hardware specialist. Completely cover the box with thermal insulation.

**Step 3:**

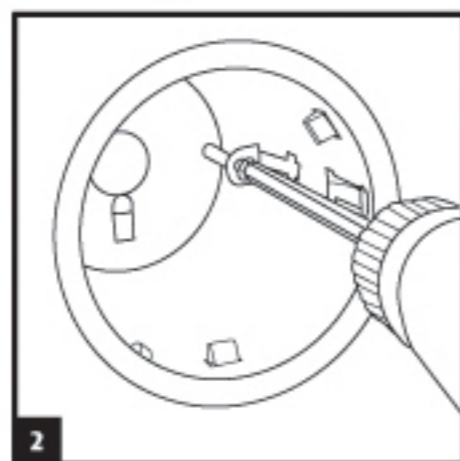
Make hole in ceiling panel. Pull out porcelain socket from ceiling hole. Route it through the bulb housing's center hole. Insert the bulb housing into ceiling hole. The fixture should now be firmly attached to the ceiling by the metal clips.

\*Now see **1 2**

(B) Insert the bulb, into the decorative, trim along with the U.V. filter protective lens. Connect bulb to socket and snap in place the trim into the housing.



**1.** Push and hold the fixture into the installation hole.



**2.** Tighten the 2 screws until the fixture sits firmly in place.

NOTE: Vapor barrier and insulation to be installed once connections are completed and junction box cover reinstalled.