

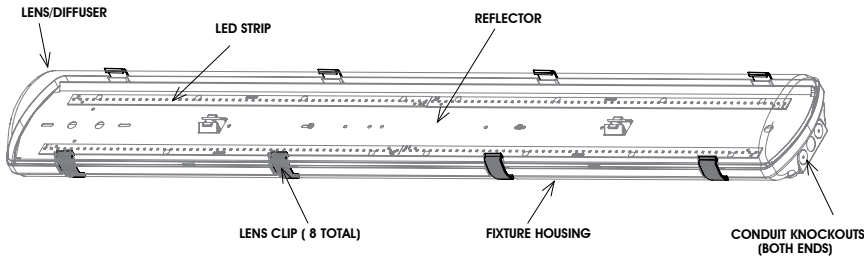
I L L U M I N A <sup>®</sup>

## BS100LED

I N D U S T R I A L



- VLO, LO, MO, HO MODELS
- 120V to 277V or 347V INPUT
- HT
- 4FT LENGTH



EACH MODEL NUMBER CONSISTS OF THE FOLLOWING:  
SERIES / OPERATION / LED COLOUR TEMP. / INPUT

<b>SERIES:</b>	<b>BS100LED</b>
<b>OPERATION:</b>	HT
<b>LED/COLOUR TEMPERATURE:</b>	WT40 (4000K)
<b>INPUT:</b>	120V TO 277V OR 347V INPUT

## IMPORTANT SAFEGUARDS

When using electrical equipment, basic safety precautions should always be followed including the following:

### READ AND FOLLOW ALL SAFETY INSTRUCTIONS.

1. Do not let power cords touch hot surfaces.
2. Do not mount near gas or electric heaters.
3. Always mount equipment in a location that is not subjected to tampering by unauthorized personnel.
4. The use of accessory equipment not recommended by BeLuce, may cause an unsafe condition, and will void the warranty.
5. Do not use this equipment other than for its intended purpose.
6. Servicing of this equipment should be performed by qualified service personnel.

### SAVE THESE INSTRUCTIONS!

926000292



**FIRST MAKE SURE POWER IS TURNED OFF!**

1. Remove diffuser / lens.
2. Remove the reflector and mounting hardware bag.
3. Install conduit fitting.
4. Securely mount the fixture hardware provided. The fixture can be snapped onto the hardware as illustrated.
5. Prepare fixture for wiring / hang reflector from internal clips.
6. Connect AC supply and ground as labeled on the provided wire leads. CAP unused wire!

**WARNING** 

No user serviceable parts. Refer service to a qualified service technician. Read instructions prior to installing and/or operating this device. Installation should be performed by a licensed electrician/installer in accordance with local codes.

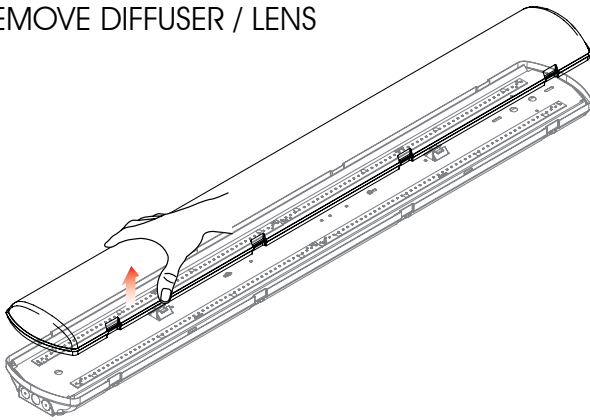
**CAUTION! Failure to CAP unused wire may result in a shock hazard or unsafe condition as well as equipment failure.** Route wires and secure them in place.

**IMPORTANT: For the BS100LED "SA" DO NOT JOIN CONVERTER CONNECTOR UNTIL INSTALLATION IS COMPLETE AND AC POWER IS SUPPLIED TO THE EMERGENCY DRIVER. SA option must specify 120V or 277V.**

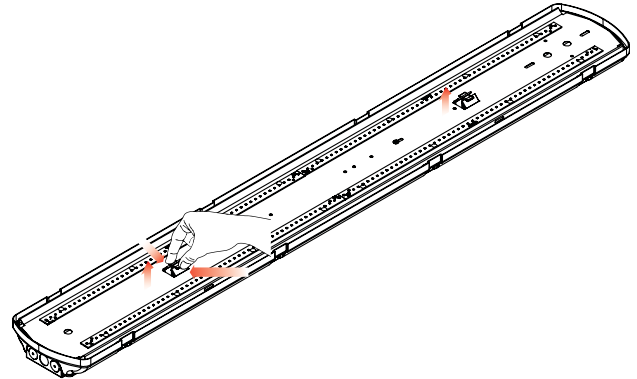
7. Insert LED reflector.
8. Ensure the reflector lip engages the tab channels on the housing before snapping the reflector in position.
9. Install diffuser clips. Reposition the diffuser/lens and snap each of the eight (8) clips into place (a "clack" sound is made).
10. Turn on AC.

**SAVE THESE INSTRUCTIONS!**

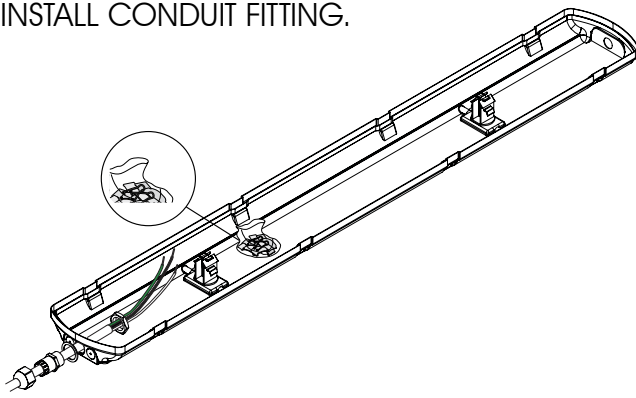
1. REMOVE DIFFUSER / LENS



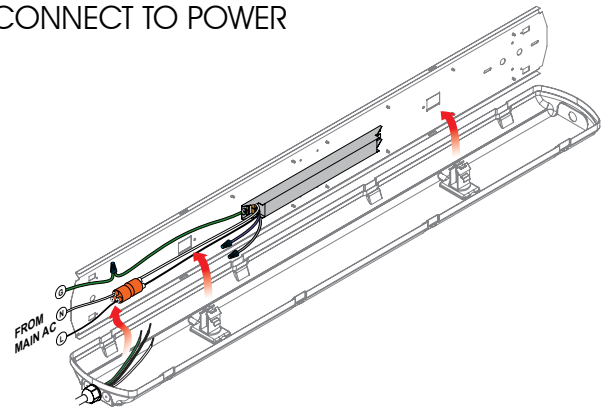
2. REMOVE LED REFLECTOR FROM HOUSING



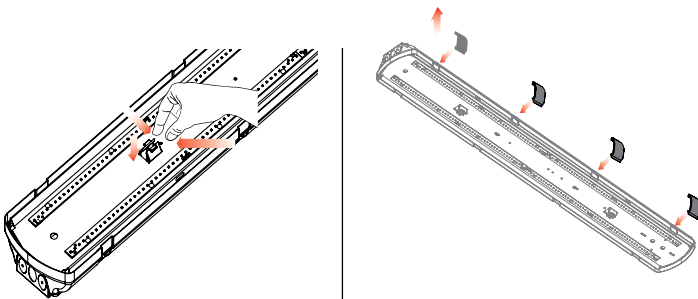
3. EXTRACT MOUNTING HARDWARE,  
INSTALL CONDUIT FITTING.



4. CONNECT TO POWER

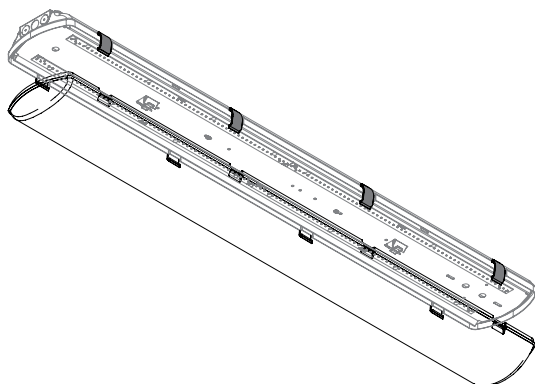


5. INSTALL LED REFLECTOR 6. INSTALL DIFFUSER CLIPS

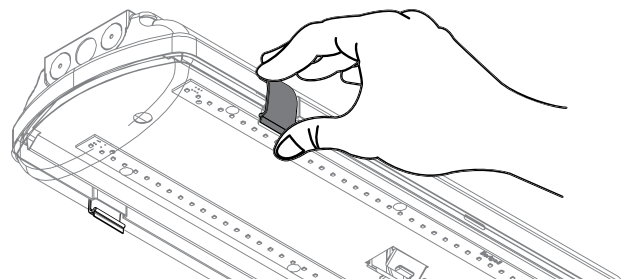


- LABELED WIRE LEADS ARE PROVIDED FOR LINE / HOT, NEUTRAL / COMMON AND GROUND.
- LABELS WILL INDICATE THE RATED INPUT VOLTAGE: 120V TO 277V OR 347V 60HZ.
- EXACT POWER SUPPLY AND WIRING CONFIGURATION MAY DIFFER FROM IMAGE ABOVE: **FOLLOW ACTUAL WIRE LABELS.**

7. INSTALL DIFFUSER/LENS

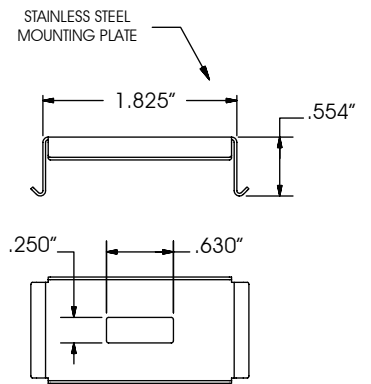
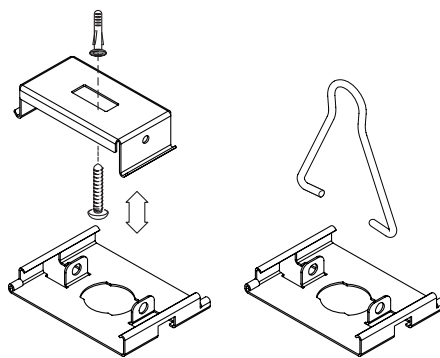
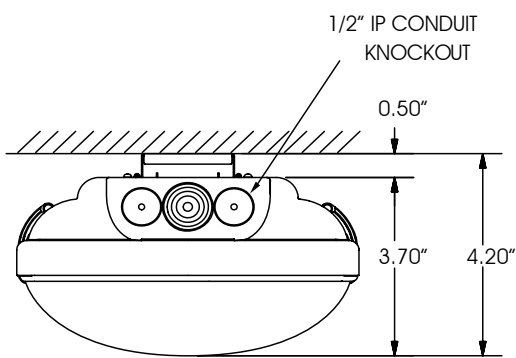
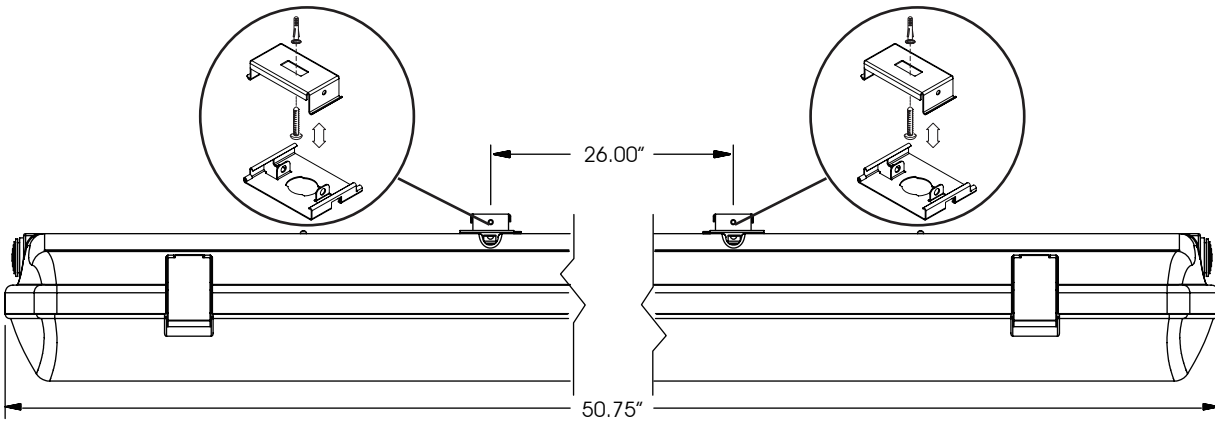


8. SECURE DIFFUSER/LENS WITH CLIPS



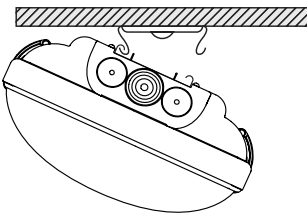
926000292

## DIMENSIONS

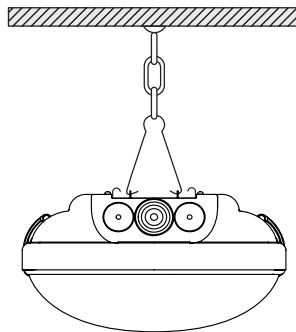


## INSTALL MOUNTING HARDWARE

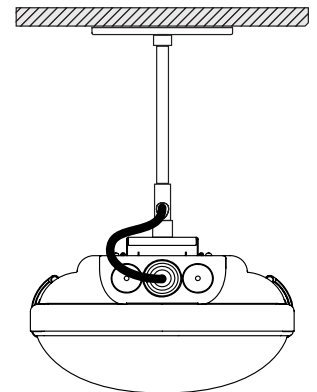
SURFACE MOUNT



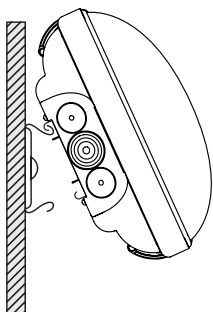
CHAIN HANG MOUNT (CH)



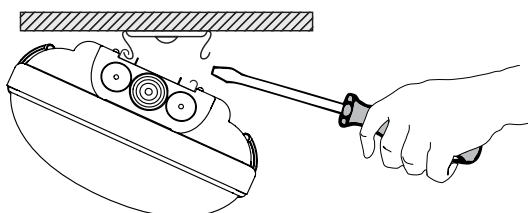
SINGLE PENDANT MOUNT (SPK)



WALL MOUNT

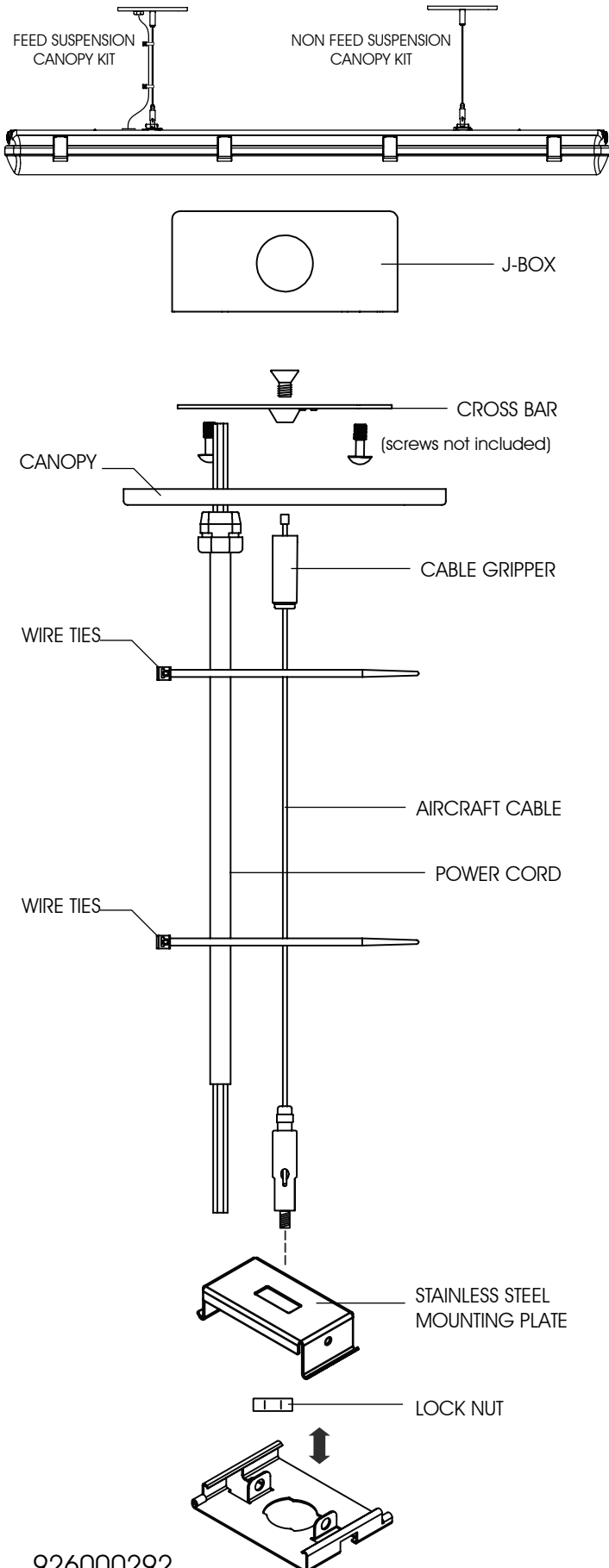


FIXTURE REMOVAL (IF NECESSARY)

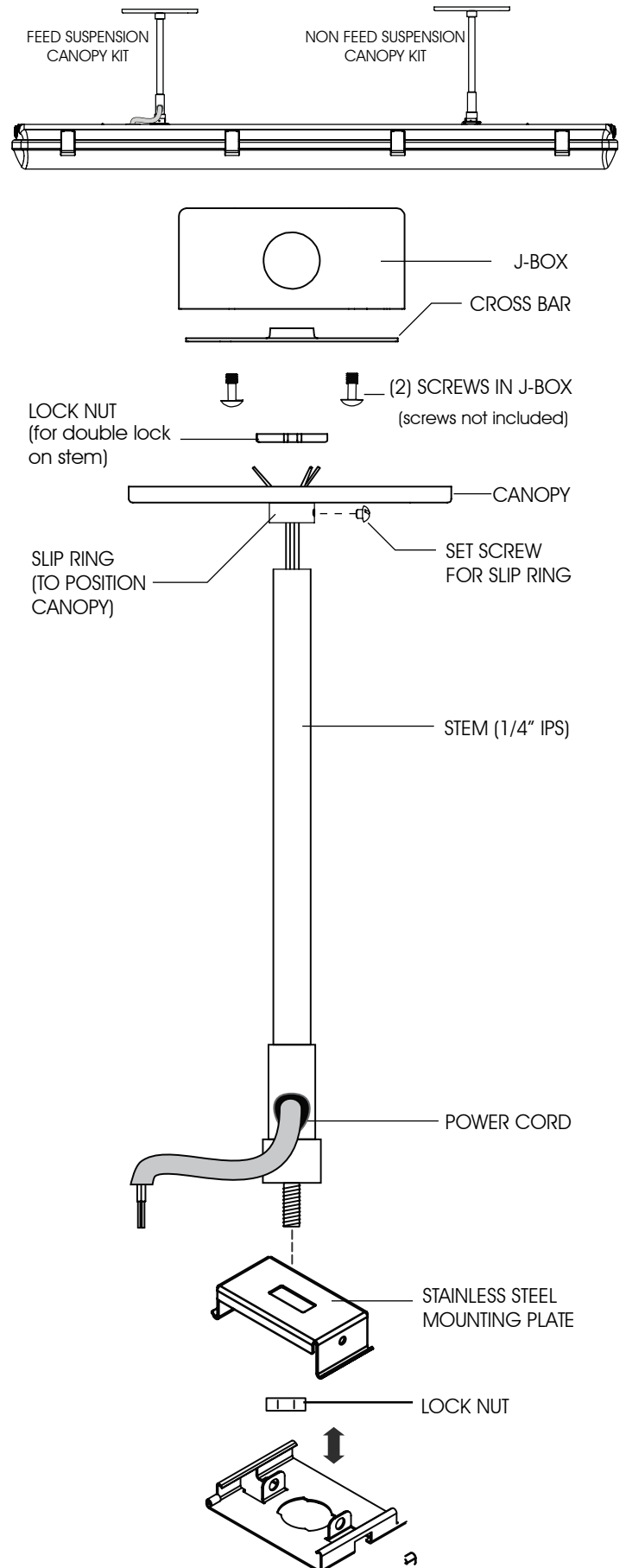


926000292

## AIRCRAFT CABLE MOUNTING

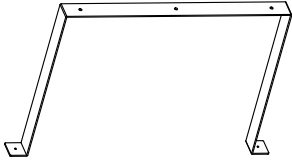


## DOUBLE PENDANT MOUNTING

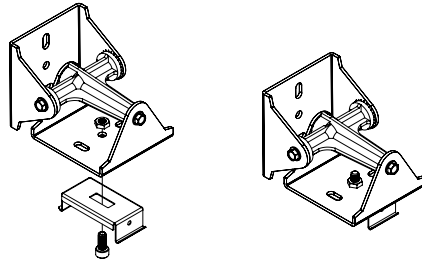


926000292

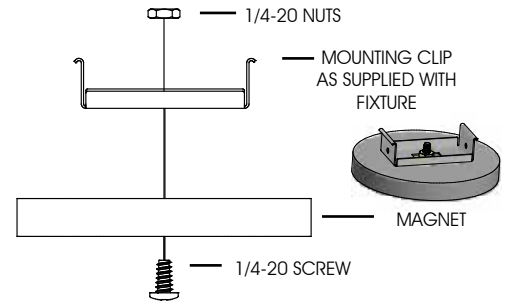
## TRUNION MOUNT (TM)



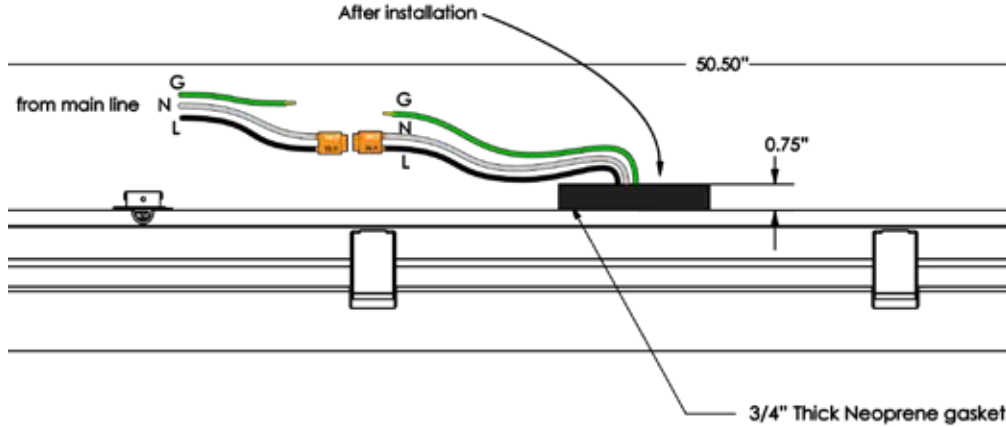
## PIVOT MOUNT (PM)



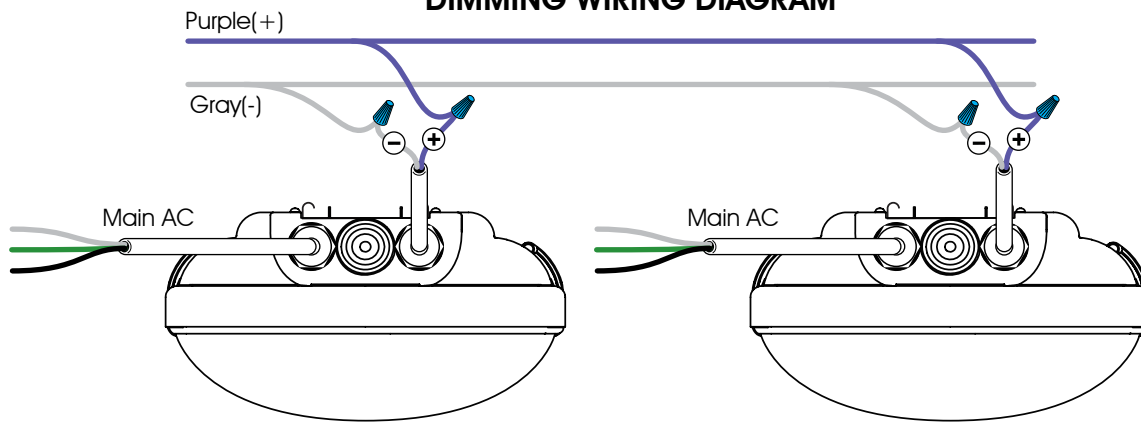
## MAGNETIC MOUNT (MM)



## JUNCTION MOUNT (JM)



## DIMMING WIRING DIAGRAM



## DIMMING

0-10V WALL DIMMER.

Dims to 10%.

For dimmer switch wiring details, please refer to dimmer manufacturer's installation guide.  
(Dimmer not supplied by Beghelli)

**NOTE:** WIRE LOCATIONS WILL VARY. REFERENCE WIRES BY COLOUR NOT LOCATION

926000292



**BeLuCe Canada Inc.**  
3900 14th Avenue  
Markham, Ontario L3R 4R3 Canada  
P: (905) 948-9500  
F: (905) 948-8673  
www.beghellicanada.com