

Illumina[®]

BS100LED2FT-PLUS



EACH MODEL NUMBER CONSISTS OF THE FOLLOWING:
SERIES / LENGTH / OPERATION / LUMENS / COLOUR TEMP. /
INPUT

SERIES:	BS100LED2PLUS
LENGTH:	2FT
OPERATION:	HT (AC ONLY) /0-10V DIMMING
LUMENS:	LO (5,518 - 6,069), HO (7,546 - 8,299)
COLOUR TEMP.:	3500K, 4000K, 5000K
INPUT:	120-277V; 347V



IMPORTANT SAFEGUARDS

When using electrical equipment, basic safety precautions should always be followed including the following:

READ AND FOLLOW ALL SAFETY INSTRUCTIONS.

1. Do not let power cords touch hot surfaces.
2. Do not mount near gas or electric heaters.
3. Equipment should be mounted in locations and at heights where unauthorized personnel will not readily subject it to tampering.
4. The use of accessory equipment not recommended by Beluce Canada Inc., may cause an unsafe condition, and will void the warranty.
5. Do not use this equipment for other than its intended purpose.
6. Servicing of this equipment should be performed by qualified service personnel.

SAVE THESE INSTRUCTIONS!

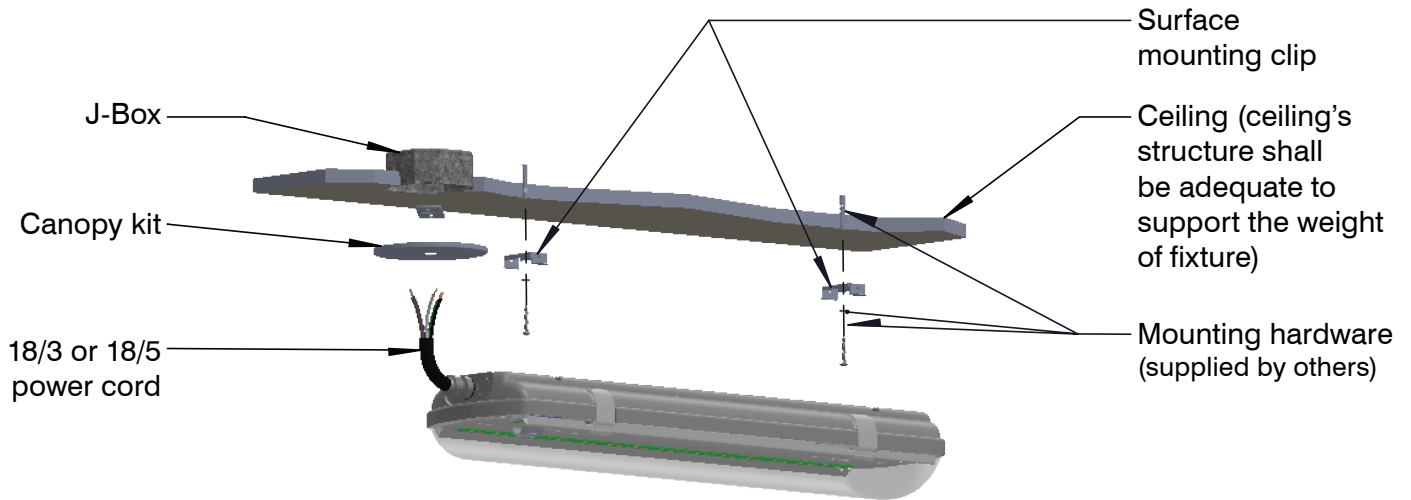
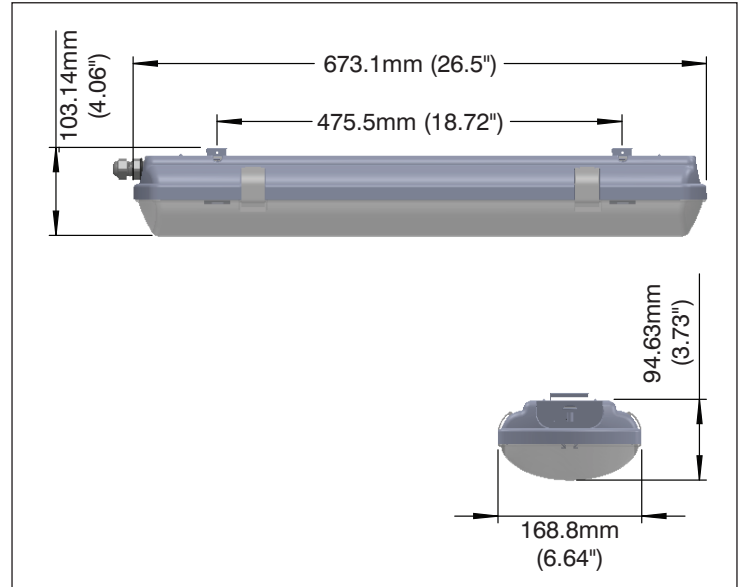
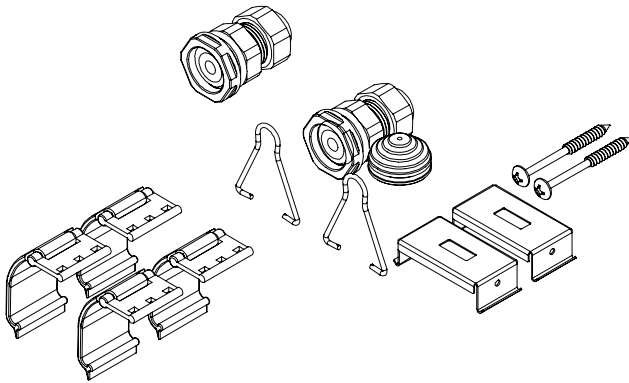
First make sure power is turned off before starting the installation!

1. Attach and secure mounting brackets to surface using appropriate fasteners.
2. Measure, locate fixture's position, and mark locations for the brackets.
3. Secure brackets (hardware supplied by others) to ceiling as shown on next page.
Fixture will snap in place.

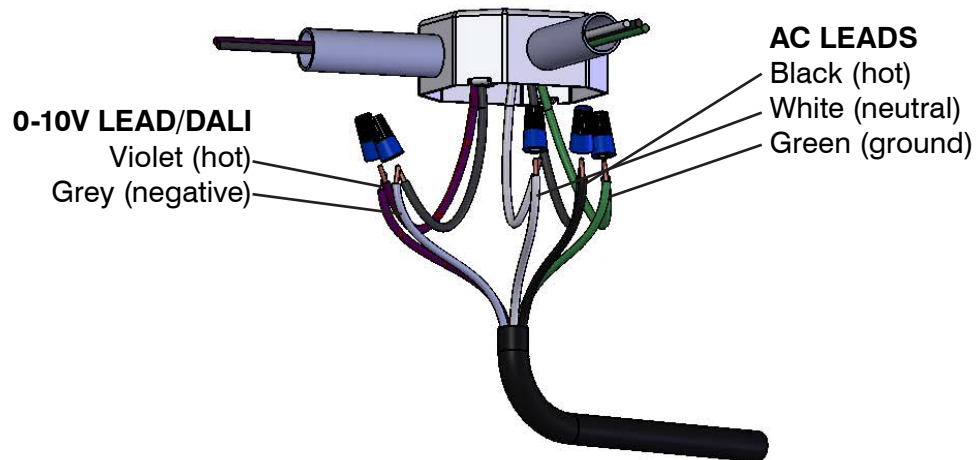
WARNING

No user serviceable parts. Refer service to a qualified service technician. Read instructions prior to installing and/or operating this device. Installation should be performed by a licensed electrician/installer in accordance with local codes.

Accessories



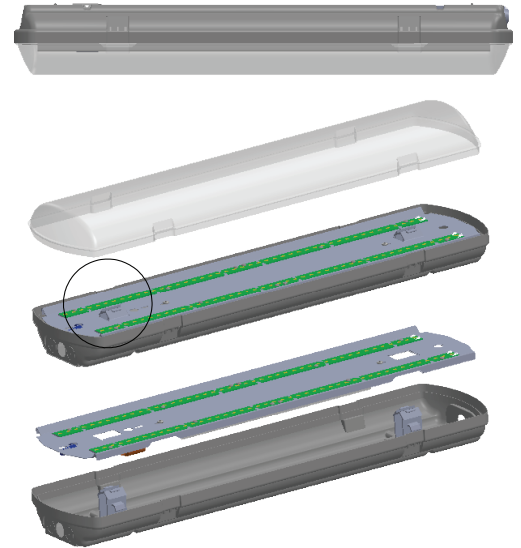
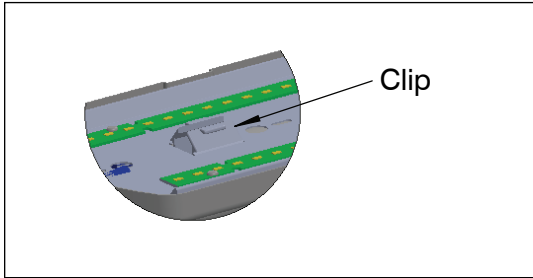
0-10V dimming wires must be run from a different conduit out of the J-Box.



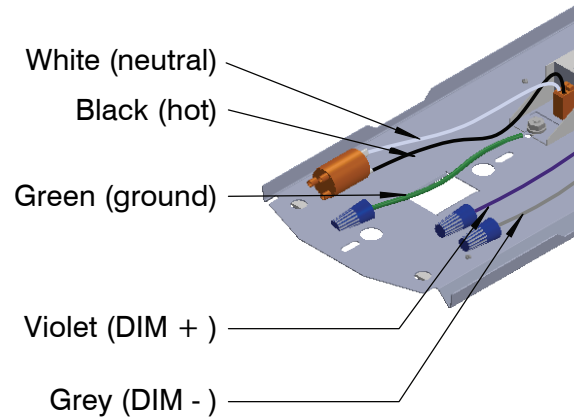
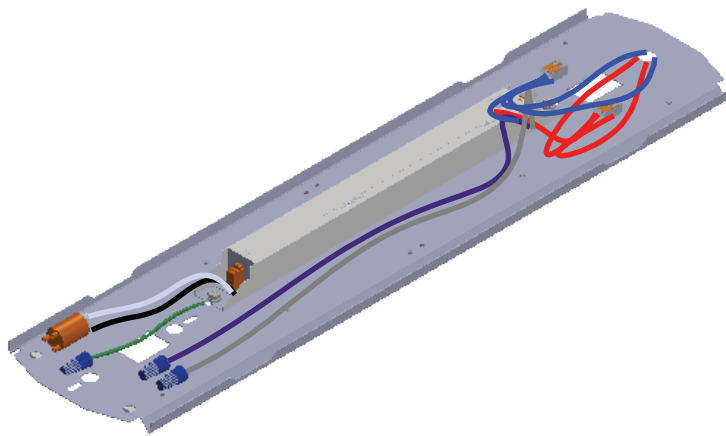
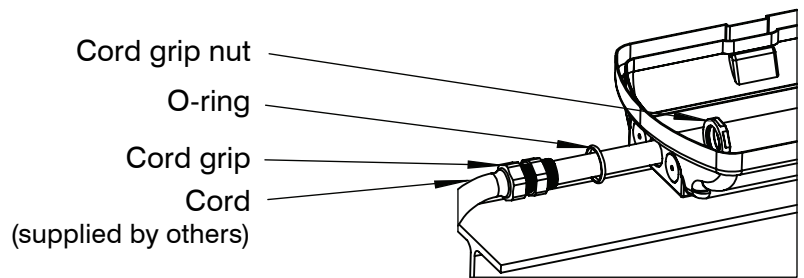
Note: For non-dimming, 3-conductor cord is available (upon request).

926000098

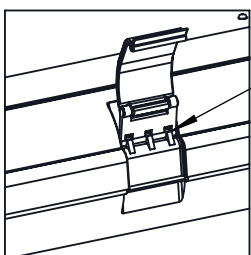
1. Remove lens enclosure.
2. Squeeze the clips to release lock and remove electrical assembly.



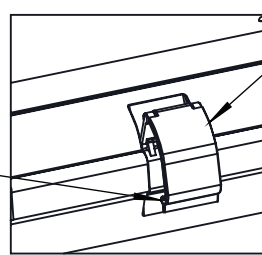
3. Install cord using provided cord grip as shown.
4. Connect wires accordingly to the orange terminal connector (black-black; white-white; green-green) by pushing the wires into the terminal as shown.



5. Re-assemble the fixture and install the lens enclosure's clips.



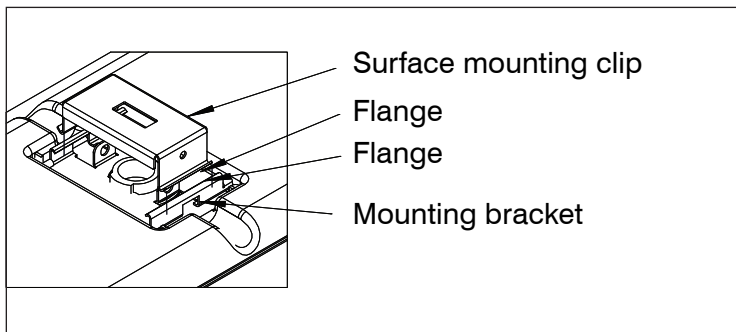
Hook the clip onto the lens



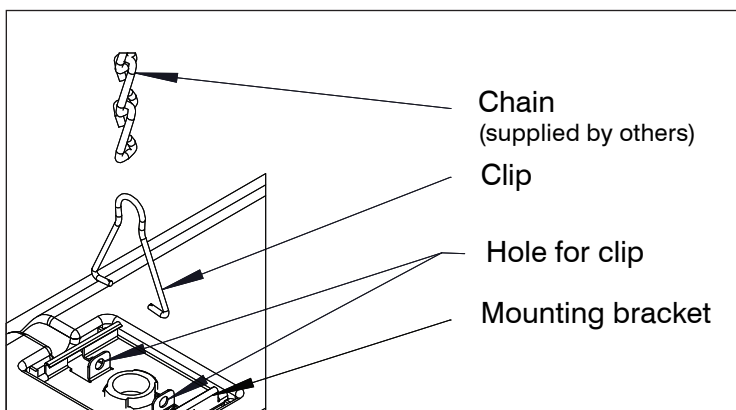
Push the top portion of the clips horizontally toward the housing to lock the clip in place

926000098

Surface Mounting



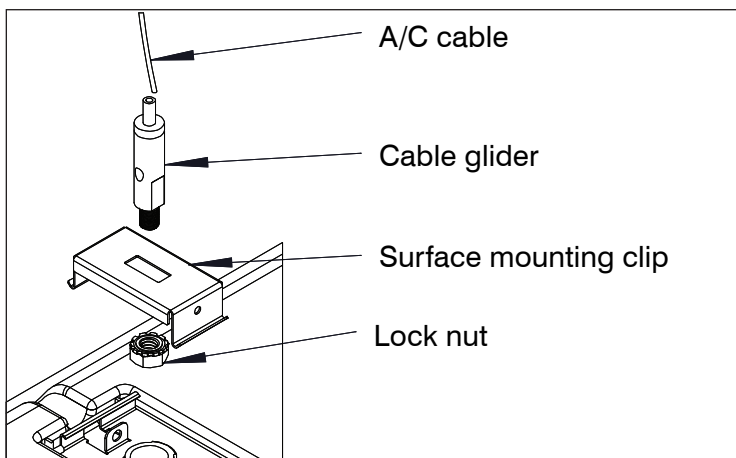
Chain & Hook Mounting



1. Insert the hook clip through the loop of the chain.
2. Attach the hook clip onto the holes on the top of the mounting bracket on the top of the housing as shown.



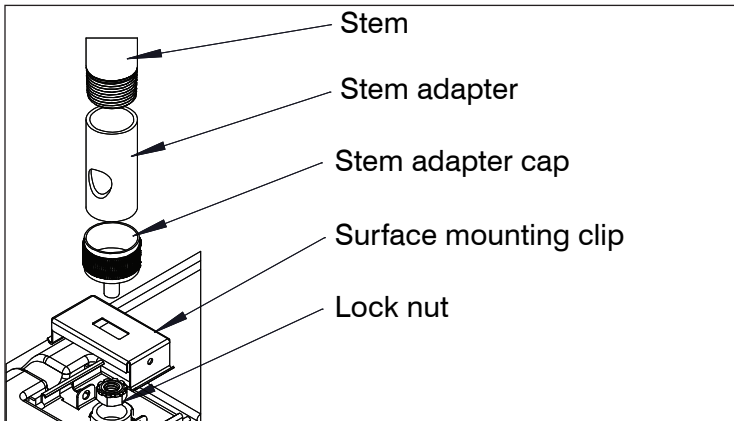
A/C Cable Mounting



1. Attach the cable glider to the surface mounting clip using provided lock nut as shown.
2. Snap the assembly onto the mounting bracket on the housing.
3. Thread the A/C cable through the cable glider as shown.
4. Push top sleeve of cable glider to release lock and adjust level.



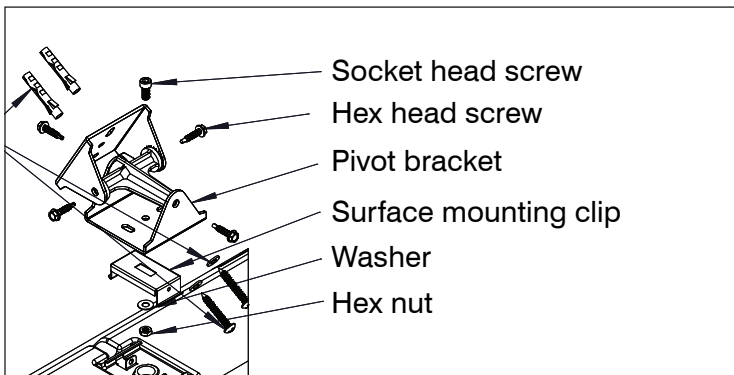
Stem Mounting



1. Attach the stem adaptor cap to the surface mounting clip using provided lock nut as shown.
2. Snap the assembly to the mounting bracket on the housing.
3. Attach stem adaptor and stem to the stem end cap.



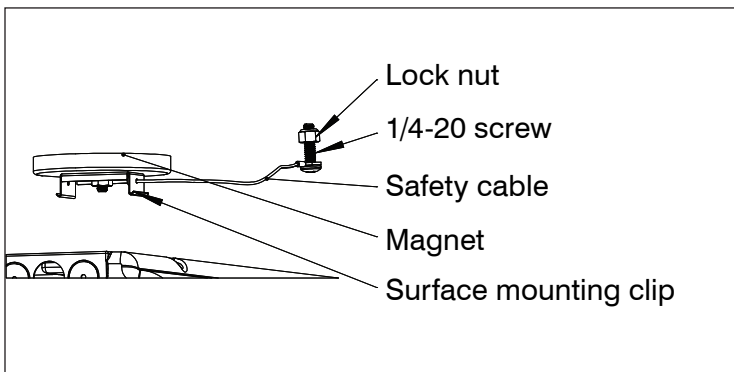
Pivot Mounting



1. Attach the pivot bracket together as shown.
2. Attach the assembly to the surface mounting clip as shown.
3. Mount the assembly to the desired location on ceiling.
4. Snap the fixture onto the pivot assembly on the ceiling.



Magnet Mounting



1. Snap the magnet assembly onto the fixture.
2. Mount the fixture to the metal surface of the main structure.
3. Attach the eyelet of the safety cable to the main structure of the building with provided screw and lock nut.



NOTE: Magnetic mounts must be installed to steel beam measuring minimum 4.7mm (3/16") thick.

SAVE THESE INSTRUCTIONS!