

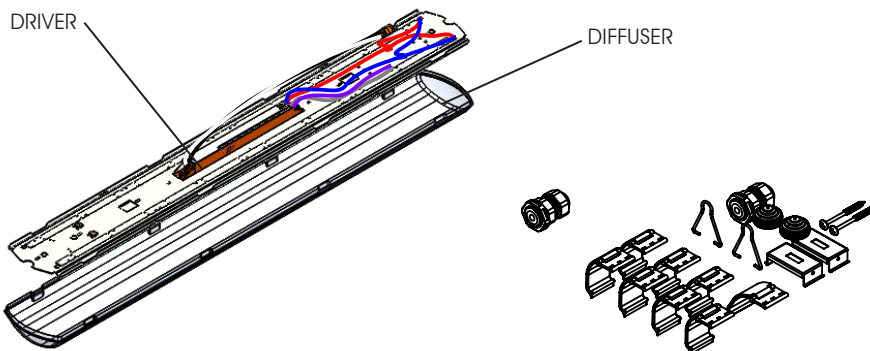
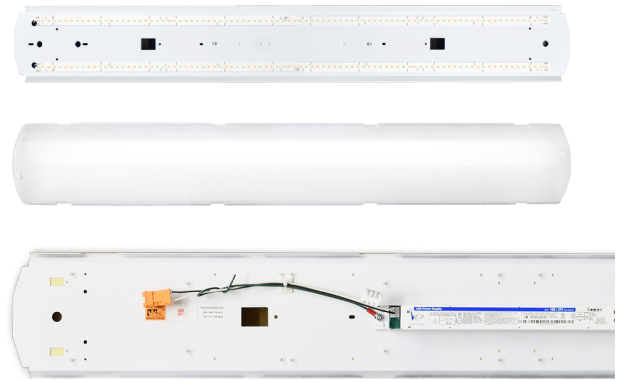
BS100LR RETROFIT KIT INSTALLATION INSTRUCTIONS

Beghelli

BS100LR



MODEL INFORMATION

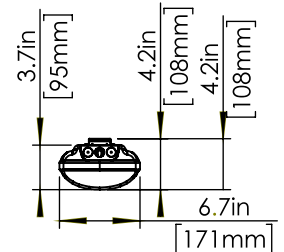
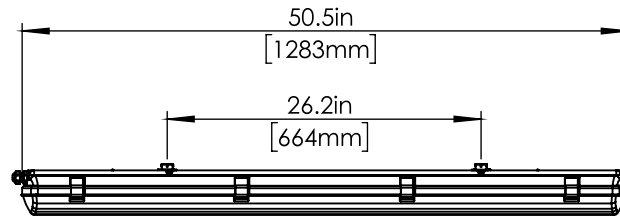


Parts come separately in a bag.

EACH MODEL NUMBER CONSISTS OF THE FOLLOWING:
SERIES / OPERATION / LED COLOUR TEMP. / INPUT / WEIGHT

SERIES:	BS100LR (RETROFIT KIT)
OPERATION:	AC, SA
LED/COLOUR TEMPERATURE:	3K (3000K) 35K (3500K) 4K (4000K) 5K (5000K)
INPUT:	120V TO 277V OR 347V INPUT
WEIGHT:	5.4 LBS (2.5 KG)

COMPONENT:	QUANTITY:
DRIVER	X 1
DIFFUSER	X 1
LED STRIPS	X 2



IMPORTANT SAFEGUARDS

CAUTION! ALWAYS MAKE SURE THE POWER IS TURNED OFF before starting installation.

When using electrical equipment, basic safety precautions should always be followed including the following:

READ AND FOLLOW ALL SAFETY INSTRUCTIONS.

1. **CAUTION! ALWAYS MAKE SURE THE POWER IS TURNED OFF** before starting installation.
2. Measure, locate fixture's position, and mark locations for the brackets.
3. Secure brackets to ceiling as shown below. **(HARDWARE BY OTHERS)**
4. Wiring fixture to power supply, shall be performed by a **certified electrician**, and wired in a manner that complies with all local and national electrical codes, as well as the **manufacturer's wiring diagram**.
5. Proper replacement of a part removed for user maintenance.

SAVE THESE INSTRUCTIONS!

WARNING ⚠

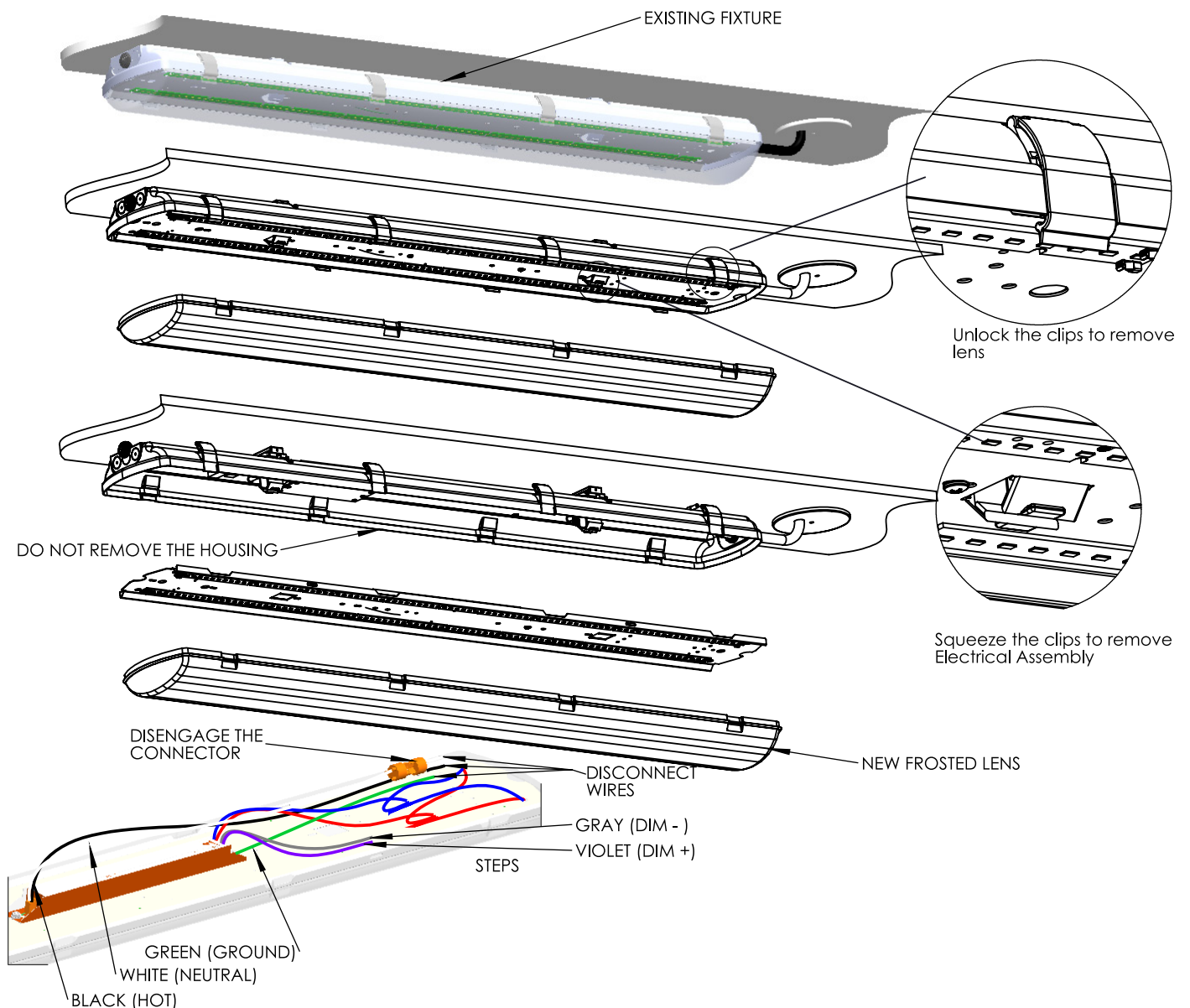
No user serviceable parts. Refer service to a qualified service technician. Read instructions prior to installing and/or operating this device. Installation should be performed by a licensed electrician/installer in accordance with local codes.



RETROFIT KIT INSTALLATION

1. Turn off power supply. **(DO NOT REMOVE THE FIXTURE).**
2. Unclip (8) lens clips and remove polycarbonate lens.
3. Squeeze the pair of center-clips to release the electrical tray.
4. Disconnect all power leads, and reconnect to **NEW REPLACEMENT TRAY.**
5. Re-install replacement tray by snapping back on the clips.
- (BE CAREFUL TO ALIGN TRAY OUTER EDGES WITH EXTERIOR HOUSING GROOVES).**
6. Install the New Frosted Polycarbonate Lens and re-clip (8) lens clips.

NOTE: KIT INCLUDES ELECTRICAL ASSEMBLY & FROSTED LENS



ADDITIONAL SAFETY INSTRUCTIONS

1. WARNING – RISK OF FIRE OR ELECTRIC SHOCK. INSTALLATION OF THIS RETROFIT ASSEMBLY REQUIRES A PERSON FAMILIAR WITH THE CONSTRUCTION AND OPERATION OF THE LUMINAIRE'S ELECTRICAL SYSTEM AND THE HAZARD INVOLVED. IF NOT QUALIFIED, DO NOT ATTEMPT INSTALLATION. CONTACT A QUALIFIED PERSON.

AVERTISSEMENT – RISQUE D'INCENDIE OU DE CHOC ÉLECTRIQUE. L'INSTALLATION DE CE NÉCESSAIRE DE MODERNISATION EXIGE UNE PERSONNE FAMILIÈRE AVEC LA CONSTRUCTION ET LE FONCTIONNEMENT DU SYSTÈME ÉLECTRIQUE DU LUMINAIRE ET DES RISQUES ASSOCIÉS. TOUTE PERSONNE QUI N'EST PAS QUALIFIÉE NE DOIT FAIRE AUCUNE TENTATIVE D'INSTALLATION ET DOIT CONTACTER UNE PERSONNE QUALIFIÉE.

2. WARNING – RISK OF FIRE OR ELECTRIC SHOCK. INSTALL THIS KIT ONLY IN THE LUMINAIRES THAT HAS THE CONSTRUCTION FEATURES AND DIMENSIONS SHOWN IN THE PHOTOGRAPHS AND/OR DRAWINGS AND WHERE THE INPUT RATING OF THE RETROFIT KIT DOES NOT EXCEED THE INPUT RATING OF THE LUMINAIRE.

AVERTISSEMENT – RISQUE D'INCENDIE OU DE CHOC ÉLECTRIQUE. N'INSTALLER CE NÉCESSAIRE QUE DANS LES LUMINAIRES DONT LES CARACTÉRISTIQUES DE CONSTRUCTION ET LES DIMENSIONS SONT CONFORME À CELLES ILLUSTRÉES DANS LES PHOTOS ET/OU LES DESSINS ET DONT LA PUISSANCE D'ENTRÉE NOMINALE DU NÉCESSAIRE DE MODERNISATION NE DÉPASSE PAS CELLE DU LUMINAIRE.

3. "DO NOT MAKE OR ALTER ANY OPEN HOLES IN AN ENCLOSURE OF WIRING OR ELECTRICAL COMPONENTS DURING KIT INSTALLATION."

"IL EST INTERDIT DE FAIRE OU DE MODIFIER UNE OUVERTURE DANS UN BOÎTIER DE CÂBLAGE OU DE COMPOSANTS ÉLECTRIQUES AU COURS DE L'INSTALLATION DU NÉCESSAIRE."

4. WARNING – TO PREVENT WIRING DAMAGE OR ABRASION, DO NOT EXPOSE WIRING TO EDGES OF SHEET METAL OR OTHER SHARP OBJECTS.

AVERTISSEMENT – AFIN DE PRÉVENIR L'ENDOMMAGEMENT OU L'ABRASION DES CÂBLES, ÉVITER TOUT CONTACT ENTRE CES DERNIERS ET LE BORD D'UN OBJET TRANCHANT TEL QU'UNE TÔLE.

5. "THIS RETROFIT KIT IS ACCEPTED AS A COMPONENT OF A LUMINAIRE WHERE THE SUITABILITY OF THE COMBINATION SHALL BE DETERMINED BY AUTHORITIES HAVING JURISDICTION."

"LE NÉCESSAIRE DE MODERNISATION EST ACCEPTÉ À TITRE DE COMPOSANT D'UN LUMINAIRE LORSQUE LA PERTINENCE DE LA COMBINAISON DOIT ÊTRE DÉTERMINÉE PAR LES AUTORITÉS COMPÉTENTES"