

BS101LE

INDUSTRIAL

Type: _____

Project: _____

Delivered Lumens:
3983 lm - 6544 lm

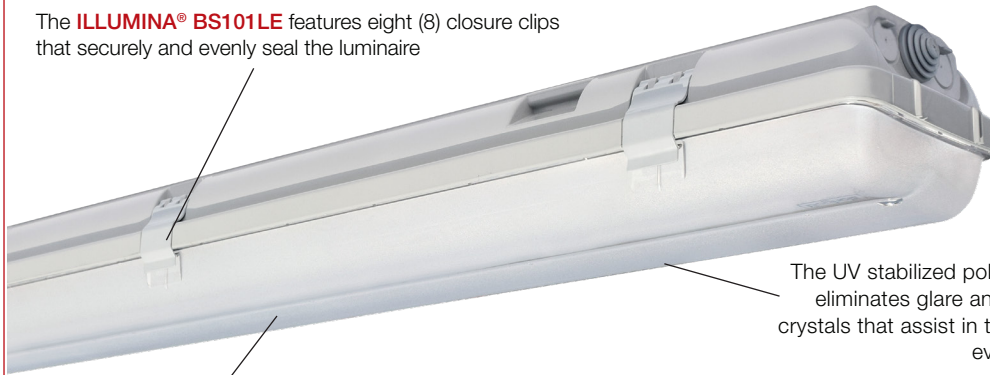
Input Wattage:
30W & 50W

Efficacy:
Up to 139 lm/W

Colour Temperatures:
3000K, 3500K, 4000K, 5000K

Projected Lumen Maintenance:
L₈₅ @ >54,000 hrs.

The ILLUMINA® BS101LE features eight (8) closure clips that securely and evenly seal the luminaire



Unique three piece design that allows effortless assembly without any tools

The UV stabilized polycarbonate diffuser eliminates glare and is integrated with crystals that assist in the enhancement of even light distribution

The polycarbonate ILLUMINA® BS101LE is corrosion, flame and vandal resistant

The ILLUMINA® BS101LE is ideal for installation in warehouses, breezeways, canopies, service corridors and much more.

Configurations

MODEL-	LENGTH	OPERATION	POWER	COLOUR TEMP-	INPUT-	MOUNTING-	OPTIONS
BS101LE	4 (4ft)	[BLANK] (AC only)	L (3983lm)	3K ¹ (3000K)	S (120-277V)	[BLANK] (surface mount - std.)	SS (stainless steel clips)
			H (6544lm)	35K (3500K)	C (347V)	[BLANK] (chain hang kit - std.)	IOS02 (internal 120-347V microwave step dimming sensor)
				4K (4000K)		JM ² (direct mount to J-box)	EOS02 (end mount on/off 120-347V)
				5K ³ (5000K)			EOS07 (end mount on/off 120-277V IP65)
							EOS08 (end mount on/off 347V IP65)
							EOS09 (end mount on/off 120-277V)
							EOS10 (PIR, end mount, step dimming, 120-277V)
							LC (Line Cord)
							CT (Cabtire Cord)
							TLP (Twist lock plug)
							TP ² (4 tamper proof screws)
							90 (90+ CRI)

NOTE¹: longer lead time, contact factory; NOTE²: Voids IP rating; NOTE³: Premium pending

HOUSING:

UV stabilized polycarbonate, liquid silicone perimeter gasket with memory retention.

DIFFUSER:

Frosted UV stabilized polycarbonate diffuser, eliminates glare and provides even distribution.

REFLECTOR:

Flat, steel reflector system finished in durable white powder coat. The reflector system holds all electrical components.

ELECTRICAL:

Available in 3000K, 3500K, 4000K or 5000K colour temperatures. High efficiency driver operates 100V through 277V or 347V, 50-60HZ. L85 up to 54,000 hours.

MOUNTING:

Surface mount configuration is standard with integrated stainless steel mounting brackets. Additional mounting systems are chain and direct to junction box configurations.

DIMMING:

0 - 10V dimming down to 5% is standard.

POWER LINE/FEED:

5-wire, 18awg, pre-stripped 12" leads for quick in-field connection and hot load disconnect feature.

WEIGHT:

9 lbs. / 4 kilo.

OPERATING TEMPERATURE:

AC only: -20°C to 40°C

WARRANTY:

5 year LED warranty, see website for full warranty details.

Compatible Sensor Table

ORDERING GUIDE	BRAND	MODEL
EOS02	Acuity	SBOR-10-OEX-D-HVOLT
EOS07	Wattstopper	HB-350W
EOS08	Wattstopper	HB-340W

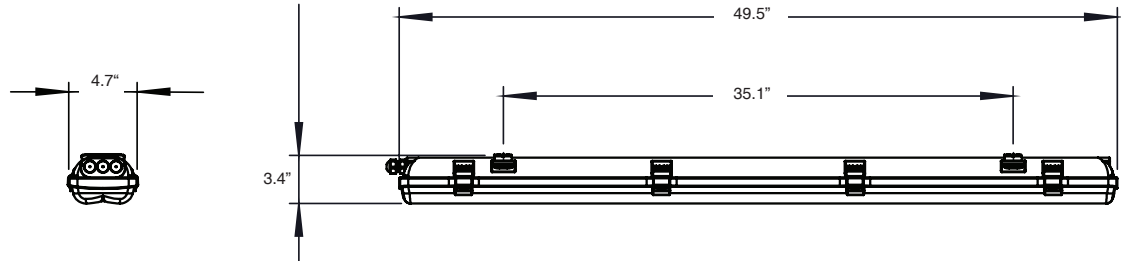
Compatible sensors can be ordered as options but will be shipped separately. Sensor brand is manufacturer's choice unless otherwise noted. If a compatible brand / type sensor is required please call for price.

DLC ID Table

MODEL	DLC ID	MODEL	DLC ID
BS101LE-4H3K	P9HRQ8BM	BS101LE-4L3K	PCG5PX1F
BS101LE-4H35K	PQFNXFF5	BS101LE-4L35K	PYZZ369M
BS101LE-4H4K	P3BT6NQN	BS101LE-4L4K	P4CZUNIQ
BS101LE-4H5K	*PSQ8RX8I	BS101LE-4L5K	*P41VNSRY

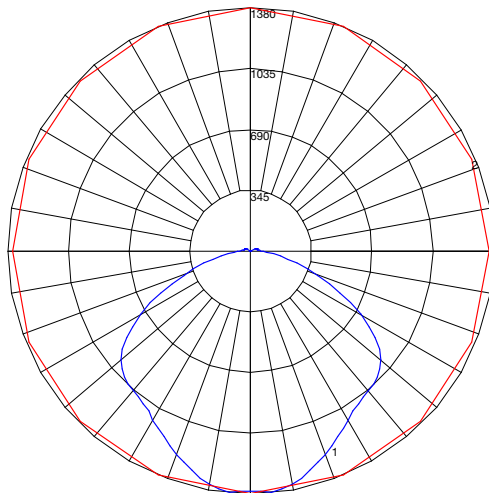
Note: *DLC ID provided is for standard, premium listing pending

Dimensions



BS101LE-4L-5K

Luminous Intensity Distribution



Zonal Lumen Summary

ZONE	LUMENS	% LUMINAIRE
0-30	1049	25%
0-40	1717	40%
0-60	3154	74%
60-80	872	21%
0-180	4249	100%

Energy Chart

MODEL	LENGTH	COLOUR	EFFICACY	WATTAGE	LUMEN OUTPUT	CRI	REPORTED L85' (HOURS)
BS101LE-4L-3K	4ft	3000K	130 lm/W	30	3983	80+	>54,000
BS101LE-4L-35K	4ft	3500K	134 lm/W	30	4107	80+	>54,000
BS101LE-4L-4K	4ft	4000K	137 lm/W	30	4196	80+	>54,000
BS101LE-4L-5K	4ft	5000K	139 lm/W	30	4248	80+	>54,000
BS101LE-4H-3K	4ft	3000K	123 lm/W	50	6136	80+	>54,000
BS101LE-4H-35K	4ft	3500K	127 lm/W	50	6327	80+	>54,000
BS101LE-4H-4K	4ft	4000K	130 lm/W	50	6464	80+	>54,000
BS101LE-4H-5K	4ft	5000K	131 lm/W	50	6544	80+	>54,000

NOTES: Actual performance may vary between +/-5% of initial lumen output NOTE: Calculated as per TM-21-11. Limited by 6X LM80 test duration.