

# BS730

LOWBAY LED

Type: \_\_\_\_\_

Project: \_\_\_\_\_

**Delivered Lumens:**  
2183 - 2923 lm

**Input Wattage:**  
35W

**Efficacy:**  
66 lm/W - 87 lm/W

**Colour Temperatures:**  
3500K, 4000K, 5700K

**Projected Lumen Maintenance:**  
L<sub>70</sub> @ 100,000 hrs.

Extruded aluminum ballast housing is designed for aircraft cable or pendant mounting

Two piece design allows for easy installation and maintenance

Bengal Silver finish standard, custom colours are available

12" and 16" acrylic reflectors and aluminum reflectors are offered. Custom colours are available.



The **DRACO® BS730** is ideal for retail, open ceilings, lofts, offices, cafes and residential installations

## Configurations

MODEL	COLOUR TEMP	LENS DISTRIBUTION	REFLECTOR	MOUNTING	INPUT	OPTIONS
BS730LED	WT35 (3500K)	NBD (narrow 10°)	12ACT (12" acrylic clear)	AC <sup>2</sup> (aviation cable)	120-277VAC	CCH (custom colour housing)
	WT40 (4000K)	MBD (medium 20°)	12ART (12" acrylic red)	SPK <sup>2</sup> (single pendant kit)	347VAC	SPCW (spiral cord white)
	WT57 (5700K)	WBD (wide 36°)	12ABT (12" acrylic blue)	SVLPK <sup>3</sup> (swivel pendant)		SPCB (spiral cord black)
		NOL (no lens)	12AGT (12" acrylic green)			CR (custom colour reflector)
			12AAT (12" acrylic amber)			FP (fuse protection)
			12AL (12" aluminum)			
			16ACT <sup>1</sup> (16" acrylic clear)			
			16AL (16" aluminum)			

**NOTE<sup>1</sup>:** custom colours are available for 16" reflector; **NOTE<sup>2</sup>:** specify length for AC 50", 72", 100", 150", 250" fully adjustable; SPK & SVLPK option min 6"; **NOTE<sup>3</sup>:** specify length 24", 48" or custom, min 6"

### MECHANICAL:

Extruded aluminum housing with Bengal Silver powder coat as standard, custom finishes are available.

### ELECTRICAL:

Drivers operate 100V-277V or 347V-480V, 50-60HZ. Fuse protection (FP) option available.

Power line/feed: 18/4 SJT straight white cord, 60" long, cord may be field cut. Power line/feed attached to housing for all mounting types.

### INPUT POWER:

35W

### DIMMING:

0-10V dimming standard.

### OPERATING TEMPERATURE:

-30°C to +60°C

### LEDS:

Powered by Samsung LEDs. White is offered in 3500K, 4000K & 5700K colour temperatures.

### LENS/DISTRIBUTION:

Individual lenses are offered in 4 different distributions - NBD: 10°, MBD: 20°, WBD: 36° & NOL: no lens.

### REFLECTOR:

Clear (ACT) 12" & 16" acrylic prismatic reflector as standard. Also offered in red (ART), blue (ABT), green (AGT) & amber (AAT). Spun aluminum (AL) is also available in 12" & 16".

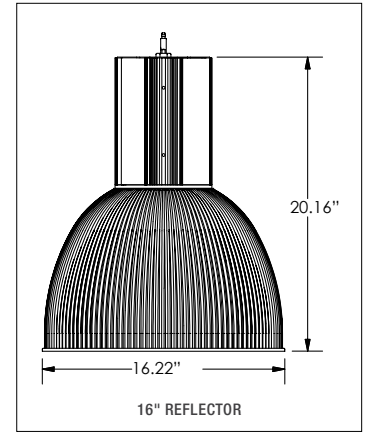
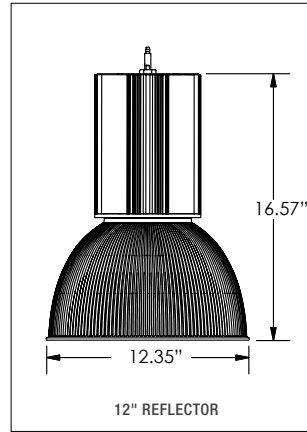
### MOUNTING:

Aviation cable standard in 50", 72", 100", 150", 250" or custom lengths, fully adjustable. The kit comes complete with a 1/4" deep, 5" diameter white canopy. Single pendant mount (SPK) measures 3/8" IPS (other dimensions are available). A swivel mount pendant (SVLPK) features 45° rotation.

### WARRANTY:

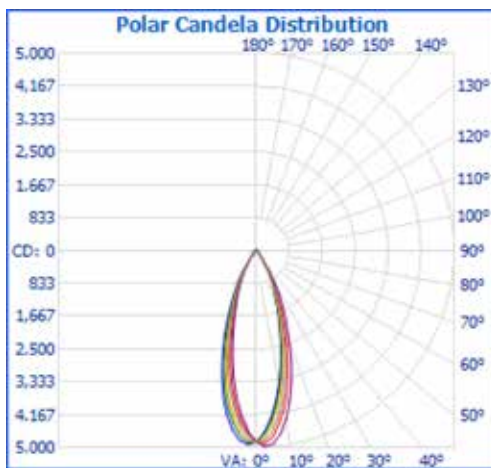
5 year LED warranty, see website for full warranty details.

## Dimensions



### DRACO-BS730-WT41-WBD-16ACT-120-277V

Luminous Intensity Distribution



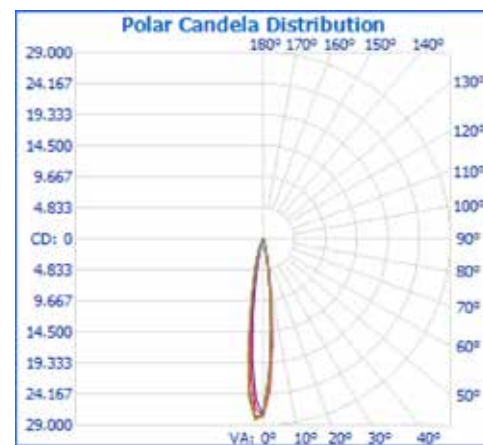
Efficiency Total:	100%	Lumen Rating:	2401.3
Efficacy Total:	69.32 lm/W	Input Wattage:	34.64W

#### Zonal Lumen Summary

ZONE	LUMENS	% LUMINAIRE
0-60	2347.6	97.8%
60-90	53.6	2.2%
0-90	2401.3	100.0%
90-180	0.0	0.0%
0-180	2401.3	100.0%

### DRACO-BS730-WT41-NBD-16ACT-120-277V

Luminous Intensity Distribution



Efficiency Total:	100%	Lumen Rating:	2425
Efficacy Total:	72.65 lm/W	Input Wattage:	33.38W

#### Zonal Lumen Summary

ZONE	LUMENS	% LUMINAIRE
0-60	2412.7	98.0%
60-90	48.7	2.0%
0-90	2461.5	100.0%
90-180	0.0	0.0%
0-180	2461.5	100.0%

## Energy Chart

MODEL	EFFICACY	WATTAGE	LUMEN OUTPUT	CRI	BEAM ANGLE	*L70 HOURS
DRACO BS730-4000K-MEDIUM	66 lm/W	35	2280	80+	21.6°	>100,000
DRACO BS730-4000K-WIDE	69 lm/W	35	2401	80+	31.2°	>100,000
DRACO BS730-4000K-NARROW	71 lm/W	35	2451	80+	11.1°	>100,000
DRACO BS730-5700K-MEDIUM	82 lm/W	35	2884	75+	21.3°	>100,000
DRACO BS730-5700K-WIDE	85 lm/W	35	3004	75+	31.3°	>100,000
DRACO BS730-5700K NARROW	87 lm/W	35	3077	75+	13.2°	>100,000

NOTE: tested at 24.9°C; Operating temperature: -30°C to +60°C

Draco® BS730