

CAS-3

HAZARDOUS HIGHBAY

Type: _____

Project: _____

Class I, Division 2, Groups A, B, C, D
 Class II, Division 1, Groups E, F, G
 Class II, Division 2, Groups F, G
 Class III

Delivered Lumens:
 6,750 – 9,750 lm

Input Wattage:
 45W, 65W

Efficacy:
 up to 150 lm/W

Colour Temperatures:
 3000K, 4000K, 5000K

Projected Lumen Maintenance:
 $L_{70}@ >54,000$ hrs.

The **CASTEX** comes standard in grey powder coat finish



Pendant or stanchion mounting is available.

UL 1598A Marine (Salt Water)
 Tested 1000hrs to standard ASTM-B117-11

The **CASTEX** is ideal for heavy industries, wastewater treatment plants, shipyards, chemical processing facilities, petrochemical and paper mills.

Configurations

SERIES	OUTPUT	COLOUR TEMP.	HAZARD	LENS	INPUT	MOUNTING
CAS-3	LO (45W)	W3 (3000K)	B (C1D2, C2D1, C2D2, C3)	C (Clear lens)	120-277V	P (Pendant)
	HO (65W)	W4 (4000K)		D (Diffuse lens)	347V ¹	S (Ceiling/Wall Stanchion)
		W5 (5000K)		O (Drop lens)		

NOTE: 347V wattages are 40W & 60W

Accessories

MODEL	DESCRIPTION
UB	U-bracket [P]
JB	Junction box NPT 3/4" [S]
WM1	Wall mount 25° [S]
WM2	Wall mount 90° [S]
PM12	Pole mount 25° NPT 1.25" [S]
PM15	Pole mount 25° NPT 1.5" [S]
PM22	Pole mount 90° NPT 1.25" [S]
PM25	Pole mount 90° NPT 1.5" [S]
SC	Safety cable
WG	Wireguard
WGO	Wireguard – drop lens

HAZARDOUS:

Class I, Division 2, Groups A, B, C, D – T4A
 Class II, Division 1, Groups E, F, G – T5
 Class II, Division 2, Groups F, G – T5
 Class III - T5

HOUSING:

Copper-free aluminum housing with separate driver enclosure for superior thermal management. Standard in a grey electrostatic powder coating. All external fasteners are stainless steel 316.

WEIGHT:

9.3 lbs / 4.2 kg

ELECTRICAL:

AC Input: 120-277V, 50-60Hz.
 AC Input: 347V, 50-60Hz.
 Drivers are standard with 4kV surge protection

LENS:

The clear impact-resistant tempered glass lens has a 110° beam angle and is available in an optional diffuse finish.

TEMPERATURE RATINGS:

Based on the surface temperature of the fixture;
 – Class I Division 2 is rated T4A, except for all the configurations that are 40 W and 347V (will not exceed 120°C)
 – Class II Division 1 Division 2 & Class III are rated T5 (will not exceed 100°C)

OPERATING TEMPERATURE:

120-277V: -40°C to +55°C
 347V & 60W: -40°C to +52°C

MOUNTING:

Pendant mount (P) or Stanchion mount (S) are standard. Stainless steel u-bracket (UB) for adjustable wall or ceiling mounting, Junction box mount (JB), 25° or 90° wall mount (WM) and 25° or 90° pole mount (PM) are available as options.

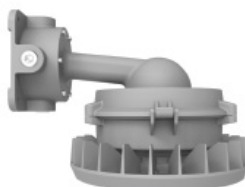
WARRANTY:

5 year LED warranty, see website for full warranty details.

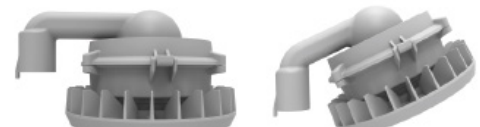
Mounting



Ceiling Mount



Wall Mount

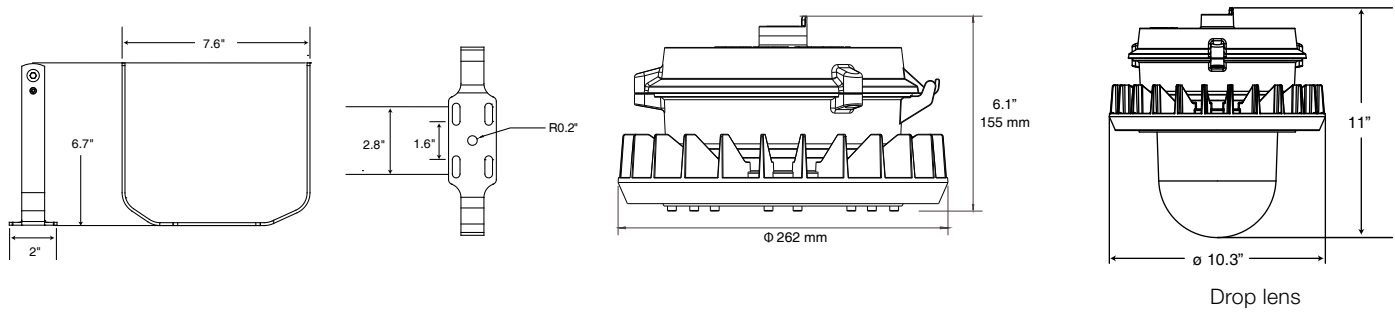


Pole Mount

CASTEX-3

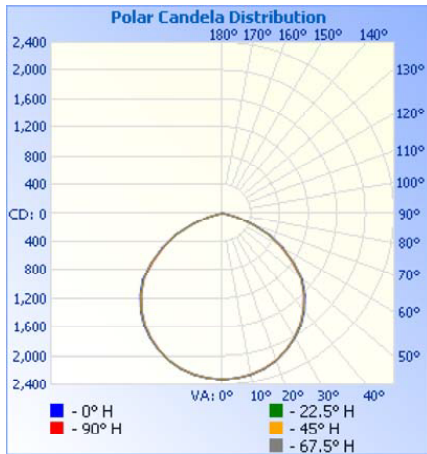
To determine which models are DLC listed please visit www.designlights.org

Dimensions



CAS-3LOW4BC120

Luminous Intensity Distribution

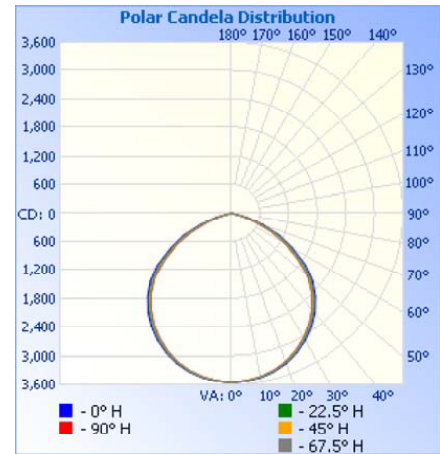


Zonal Lumen Summary

ZONE	LUMENS	% LUMINAIRE
0-30	1829	29%
0-40	3019	48%
0-60	5339	85%
60-90	951	15%
0-90	6289	100%

CAS-3HOW4BC120

Luminous Intensity Distribution



Zonal Lumen Summary

ZONE	LUMENS	% LUMINAIRE
0-30	2778	30%
0-40	4572	49%
0-60	7007	86%
60-90	1331	14%
0-90	9338	100%

Energy Chart

MODEL	EFFICACY	LUMEN OUTPUT	WATTAGE	CRI	L70 HOURS	BUG RATING
CAS-3LOW3BC120	144 lm/W	6483	45W	>70	> 54,000	B4-U0-G1
CAS-3LOW4BC120	140 lm/W	6289	45W	>70	> 54,000	B4-U0-G1
CAS-3HOW3BC120	148 lm/W	9620	65W	>70	> 54,000	B4-U0-G1
CAS-3HOW4BC120	144 lm/W	9338	65W	>70	> 54,000	B4-U0-G1

CASTEX-3