

CAS

HAZARDOUS HIGH BAY

Type: _____

Project: _____

Delivered Lumens:
4449 - 21313 lm

Input Wattage:
40W, 100W, 180W

Efficacy:
up to 118 lm/W

Colour Temperatures:
3000K, 4000K, 5000K

Projected Lumen Maintenance:
L₇₀@ >54,000 hrs.

The **CASTEX** is a hazardous location LED lighting fixture.

Class I Division 2, Groups A, B, C and D;
Group II, Zone 1 & Zone 2; Zone 21 & 22.

The **CASTEX** comes standard in grey powder coat finish.

The **CASTEX** is ideal for heavy industries, wastewater treatment plants, refineries, chemical industries, coastal marine facilities, and corrosive applications.

The **CASTEX** comes standard with an adjustable surface mount bracket.



Configurations

MODEL	OPERATION	OUTPUT	COLOUR TEMPERATURE	DISTRIBUTION	INPUT	MOUNTING
CAS	HT (AC only)	LO (4,605 lm)	WT30 (3000K)	WBD (wide beam)	120-277V	[BLANK] (surface mount)
		MO (11,702 lm)	WT40 (4000K)			PK ¹ (pendant kit)
		HO (21,313 lm)	WT50 (5000K)			

NOTE: specify length for PK: 12", 24", 48", for other specify.

HAZARDOUS:

Class I Division 2, Groups A,B,C and D;
Group II, Zone 1 & Zone 2; Zone 21 & 22.

HOUSING:

Cast aluminum heat sink with grey powder coat finish.

ELECTRICAL:

AC Input: 120-277V, 50-60Hz.

LENS:

4mm thick tempered glass lens.

OPERATING TEMPERATURE:

-40°C to +50°C

DIMMING:

0 - 10V dimming to 10% is standard. Compatible with most dimming systems.

MOUNTING:

Surface mount is standard with 3mm thick steel adjustable 135° mounting bracket. Pendant is available as an option.

POWER LINE/FEED:

18/2-conductor low voltage cord (dimming); 6 ft in length. 18/3-conductor power cord (AC input); 6 ft in length.

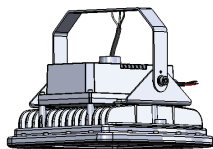
WEIGHT:

LO: 8.8 lbs / 4 kg
MO: 17.6 lbs/8 kg
HO: 25.4 lbs/11.5 kg

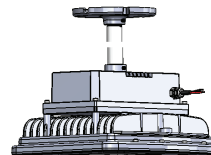
WARRANTY:

5 year LED warranty, see website for full warranty details.

Mounting

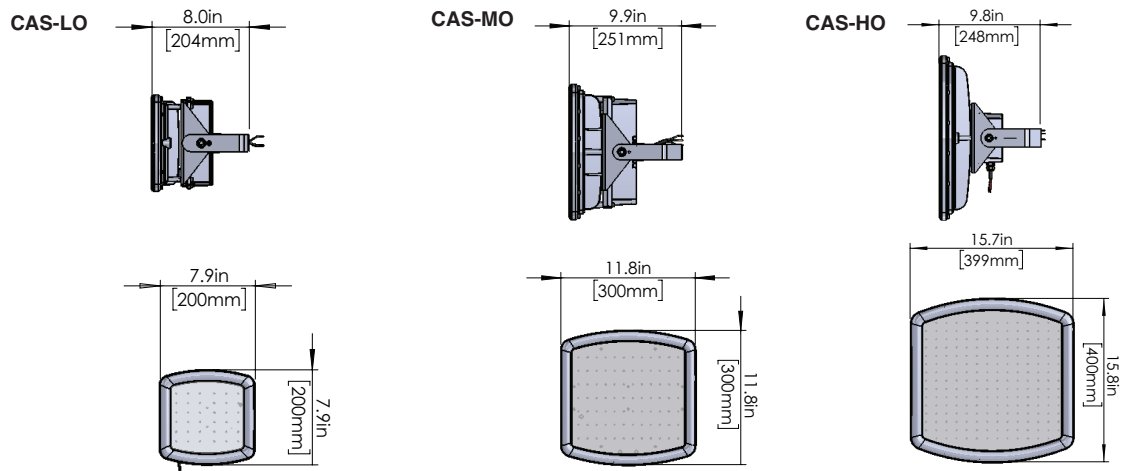


Surface Mounting Bracket (Standard)



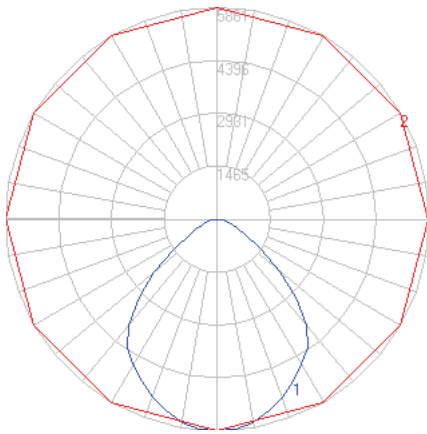
Pendant Kit (Optional)

Dimensions



CAS-HT-MO-WT40-WBD-120-277V

Luminous Intensity Distribution



Zonal Lumen Summary

ZONE	LUMENS	% LUMINAIRE
0-20	2084	18%
0-40	7028	60%
0-60	10745	92%
60-90	936	8%
0-180	11702	100%

Energy Chart

MODEL	EFFICACY	WATTAGE	LUMEN OUTPUT	CRI	L70 HOURS	BUG RATING
CAS-HT-LO-WT30-WBD-120-277V	100 lm/W	40	4449	>70	>54,000	B3 U1 G1
CAS-HT-MO-WT30-WBD-120-277V	113 lm/W	100	11304	>70	>54,000	B4 U2 G1
CAS-HT-HO-WT30-WBD-120-277V	114 lm/W	180	20589	>70	>54,000	B5 U2 G3
CAS-HT-LO-WT40-WBD-120-277V	112 lm/W	40	4605	>70	>54,000	B3 U1 G1
CAS-HT-MO-WT40-WBD-120-277V	117 lm/W	100	11702	>70	>54,000	B4 U2 G1
CAS-HT-HO-WT40-WBD-120-277V	118 lm/W	180	21313	>70	>54,000	B5 U2 G3
CAS-HT-LO-WT50-WBD-120-277V	104 lm/W	40	4605	>70	>54,000	B3 U1 G1
CAS-HT-MO-WT50-WBD-120-277V	117 lm/W	100	11702	>70	>54,000	B4 U2 G1
CAS-HT-HO-WT50-WBD-120-277V	118 lm/W	180	21313	>70	>54,000	B5 U2 G3