

Project:
Type:
Date:
Product Code:
Approval:



BLHV

Superior-grade, High Bay vapour proof LED fixture. The BLHV is ideal for indoor or outdoor use where there is a high probability of exposure to dust, water or vapour. Its unique, IP67 certified body makes it ideal in environments where vapour-proof efficiency and performance are a factor.

FEATURES

- L70 of 160,000 hours
- Fibreglass body with a continuous poured neoprene gasket
- 0-10V dimming standard
- Stainless steel clips standard

OPTIONS

- Lumen packages are available from 10,000L to 32,000L
- Available in 3000K, 3500K, 4000K, 5000K, and 6500K
- NEDAP wireless controls
- Pendant Mount (not available on HAZLOC Models)
- 90 CRI available
- IP66 rated motion sensor
- IP69 rated fixture housing (only available in the 2 foot fixture)
- Polycarbonate Lens

APPLICATIONS

- Food processing plants
- Manufacturing, Storage, and Warehouse facilities

WARRANTY

Standard 5 year system, and 10 year LED warranty.

OPTICS

The high-efficiency lens maximizes light distribution while providing diffusion of LED point sources and reducing glare. Optics available for wide or narrow distribution.

ELECTRICAL

All components are UL recognized. The fixture is available in 120 - 277V and 347/480V.

MOUNTING

Can be suspended, surface or pendant mounted.

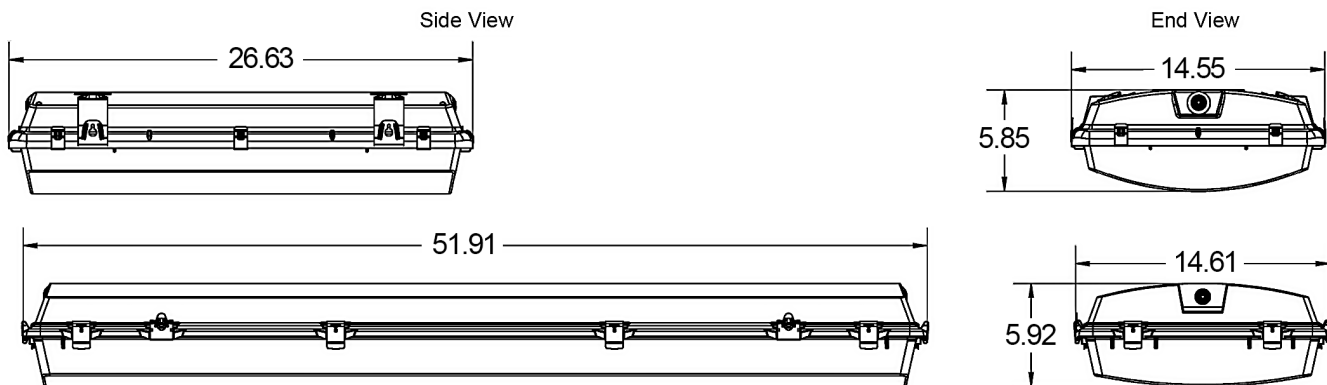
CONSTRUCTION

- Fibreglass body with neoprene gasket ensures a dust and water resistant seal

APPROVALS

- ETL Listed
- IP65, IP66, and IP67 Rated
- IP69 Rated (only available in the 2 foot fixture)
- NEMA 4X Rated
- NSF Rated
- DLC Listed
- Hazardous locations Class 1 Div. 2 Groups ABCD, Class 2 Div. 2 Groups FG, Class 3 Div. 2

PRODUCT DIMENSIONS



PRODUCT KEY

Fixture Type	Efficacy	Fixture Size	Lumen Output	CRI	Colour Temp	Driver Voltage	Options
BLHV							

S - Standard			10	8 - 80 CRI	30 - 3000 K	UNV
H - High		2'	12	9 - 90 CRI	35 - 3500 K	347/480
			14		40 - 4000 K	
			16		50 - 5000 K	
			18		65 - 6500 K	
			20			
		4'	24			
			32			

- Lenses**
 L26 - Clear Polycarbonate Lens
 L49 - Frosted Acrylic Lens
 L55 - Clear Acrylic Lens
 L59 - Frosted Polycarbonate Lens
- Wireless Controls**
 WC1 - NEDAP Wireless Controls
- Mounting**
 Blank - V-Hook
 M3 - Aircraft Cable "Y-Toggle", 5 FT
 M20 - Ceiling Mount V-Hook
 M23 - Aircraft Cable "Y-Toggle", 10 FT
 M33 - Dual Pendant Mounting
 *Not available on HAZLOC Models
- Cords (Specify Length)**
 W3xx - 16/3 White Cord
 W4xx - 16/3 Black Cord
 W5xx - 16/3 Power Cord and NEMA Code

- Motion Sensor**
 W12 - Standard Motion Sensor
 W26 - Motion Sensor with Photocell
 W30 - IP Rated Motion Sensor

- Optics**
 Blank - Narrow Beam Distribution
 O1 - Wide Beam Distribution

- Battery Backup**
 B24 - 10 Watt Bodine Battery Backup
 *Not available on HAZLOC Models

- Hazardous Locations**
 H27 - Hazardous Locations Class 1
 Div. 2 Groups ABCD, Class 2
 Div. 2 Groups FG, Class 3 Div. 2

*Only available in High Efficiency
 **DLC approved
 ***Contact factory for information on wireless controls

WATTAGE CHARTS

	Lumen Output	Actual Lumen Output	Fixture Wattage	Lumens per Watt		Lumen Output	Actual Lumen Output	Fixture Wattage	Lumens per Watt
2'	10	10,208	69.21	147.5	4'	24	22,720	156.08	145.6
	12	11,768	80.43	146.3		32	29,630	203.69	145.5
	14	13,334	91.88	145.1					
	16	14,874	103.33	143.9					
	18	16,820	116.52	144.4					
	20	18,772	129.71	144.7					

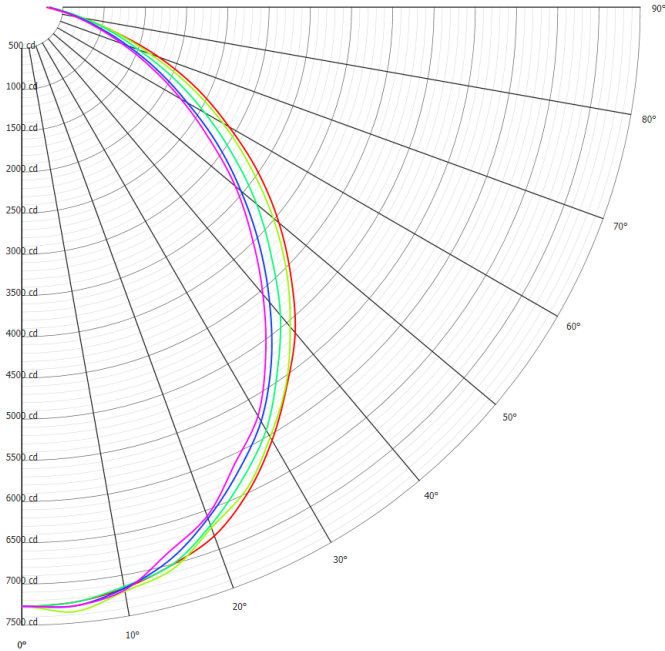
	Lumen Output	Actual Lumen Output	Fixture Wattage	Lumens per Watt		Lumen Output	Actual Lumen Output	Fixture Wattage	Lumens per Watt
2'	10	9,725	72.58	134.0	4'	24	22,444	178.93	125.4
	12	11,539	87.01	132.6		32	29,344	232.62	126.1
	14	13,313	101.45	131.2					
	16	15,047	115.89	129.8					
	18	16,740	130.32	128.5					
	20	18,394	144.76	127.1					

- Based on UNV voltage
- Based on a Frosted lens
- Based on 4000K

PHOTOMETRIC DATA

BLHV-H-2'-20L-840-UNV

Candela Polar Plot

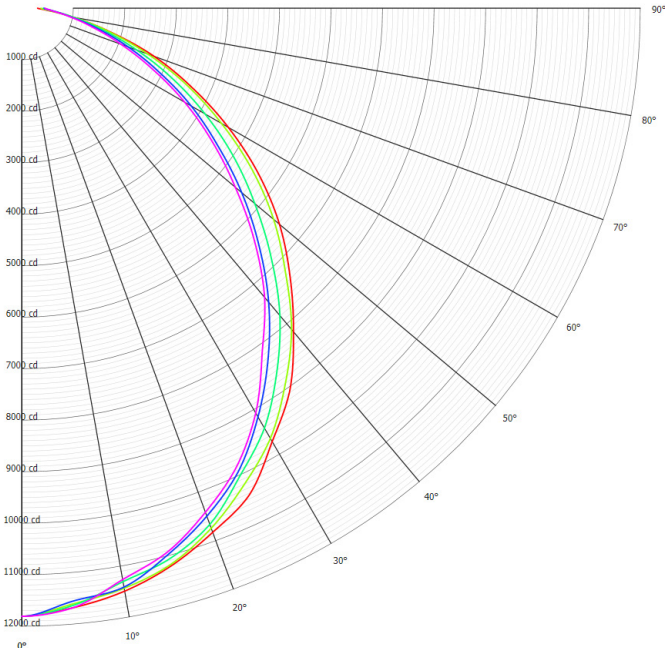


Cone of Light

Mtg Height	Light Level	Beam Diameter
6 ft	202 fc	15 ft
8 ft	114 fc	19 ft
10 ft	73 fc	24 ft
12 ft	51 fc	29 ft
15 ft	32 fc	36 ft

BLHV-H-4'-32L-840-UNV

Candela Polar Plot



Cone of Light

Mtg Height	Light Level	Beam Diameter
6 ft	328 fc	15 ft
8 ft	185 fc	19 ft
10 ft	118 fc	24 ft
12 ft	82 fc	29 ft
15 ft	52 fc	37 ft