

However, there is no guarantee that interference will not occur in a particular installation. If this equipment does cause harmful interference to radio or television reception, which can be determined by turning the equipment off and on, the user is encouraged to try to correct the interference by one or more of the following measures:

- Reorient or relocate the receiving antenna.
- Increase the separation between the equipment and receiver.
- Connect the equipment into an outlet on a circuit different from that to which the receiver is connected.
- Consult the dealer or an experienced radio/TV technician for help.

CAUTION:

Any changes or modifications not expressly approved by the grantee of this device could void the user's authority to operate the equipment. This device complies with Part 15 of the FCC Rules. Operation is subject to the following two conditions: (1) This device may not cause harmful interference, and (2) this device must accept any interference received, including interference that may cause undesired operation.

This device contains licence-exempt transmitter(s)/receiver(s) that comply with Innovation, Science and Economic Development Canada's licence-exempt RSS(s). Operation is subject to the following two conditions:

1. This device may not cause interference.
2. This device must accept any interference, including interference that may cause undesired operation of the device.

5 YEAR LIMITED WARRANTY

"Thank you" for purchasing our product. It is our policy to furnish you with high quality products at a fair price. With proper installation your fan should provide you with years of money saving comfort.

This fan is guaranteed to be free from defects in workmanship and Material for a period of five (5) years from date of purchase. Within the first (1) year from date of purchase any defective product should be returned to your **RETAIL OUTLET** along with proof of purchase. For the balance of the warranty, four (4) years, the **MOTOR WINDINGS ONLY** shall be free of defects. We will correct such defects or replace the motor assembly at our option if the product is returned, **FREIGHT PREPAID**, to us. The returned fan must be accompanied by your proof of purchase and a cheque for \$20.00 for handling and labour charges. All costs of removing and re-installing the product are **YOUR RESPONSIBILITY** damage to any part as such by accident, misuse, improper installation or by affixing any accessories **IS NOT** covered by this warranty. As a result of varying climatic conditions in our area this warranty does not cover any changes in finishes, including rusting, pitting, corroding, tarnishing or peeling.

WARRANTY VOID: In cases of alteration, abuse, installation not in accordance with instructions or REMOVAL of the CSA Sticker.

11/16



NEED HELP?

Call or Email us first

Our service team is ready to answer your questions...

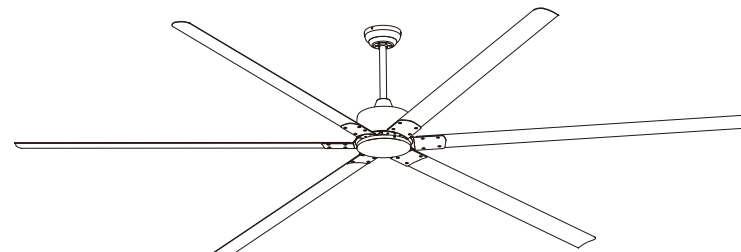
1-800-265-1833 (English) / 1-800-567-2513 (French)

IN CANADA - ressalescanada@canarmna.ca - IN USA - ressalesusa@canarmna.ca

Monday - Friday
8 AM - 5 PM EST.

INSTALLATION INSTRUCTIONS

DOWNROD MOUNT SERIES



INSTRUCTIONS PERTAINING TO RISK OF FIRE OR INJURY TO PERSONS
READ ALL INSTRUCTIONS



**IMPORTANT SAFETY
INSTRUCTIONS**
SAVE THESE INSTRUCTIONS
INSTALLATION AND WIRING TO BE IN ACCORDANCE WITH CEC,
NEC, LOCAL ELECTRICAL CODES and ANSI/NFPA 70.
Consult a qualified electrician if you are not familiar with wiring.

TOOLS AND MATERIALS REQUIRED

- Philips Screw Driver
- Blade Screw Driver
- Step Ladder
- Wire Cutters
- Wiring supplies as required by electrical code.

NOTE: FOR OPTIMUM QUIETNESS, FULLY ASSEMBLE FAN AND RUN 24 HOURS

2157 Parkedale Ave.,
Brockville, Ontario
K6V 5V6
PH: (613) 342-5424
FX: (613) 342-8437

2555 Rue Bernard
Lefebvre Laval, Quebec
H7C 0A5
PH: (450) 665-2535
FX: (450) 665-0910

SAFETY PRECAUTIONS

1. Turn off power at main electrical service box before starting installation
2. Electrical connections must comply with local code ordinances, national electrical codes, CEC, NEC and ANSI/NFPA 70.
3. Make sure the installation site you choose allows the fan blades to rotate freely without any obstructions.
4. When mounting the fan on a ceiling outlet box, Use an approved (CSA for Canada and UL for U.S.) ceiling fan box marked "**FOR FAN SUPPORT**". Ensure the outlet box is securely installed in place such that it is able to support at least the fan weight.
5. **WARNING:** To reduce the risk of fire, electric shock, or other personal injury, mount fan only on an outlet box or supporting system marked acceptable for fan support of 35 lbs (15,9 kg) or less and use the mounting screws provided with the outlet box. Most outlet boxes commonly used for the support of lighting fixtures are not acceptable for fan support and may need to be replaced. Consult a qualified electrician if in doubt.
6. Total Fan Weight For Reference: 120" approximate 15.0 kgs(33.08lbs).

WARNING

1. To reduce the risk of personal injury **DO NOT** bend the blade brackets when installing the brackets, balancing the blades or cleaning the fan. Also, **DO NOT** insert foreign objects in between rotating fan blades.
2. Remove fan from the carton carefully and check for shipping damage. Check blades for bends and dents. In case assistance is required please contact our service centre.
3. Mount with the lowest moving parts at least 3.05 Meters (10 Feet) above floor or grade level.
4. All set screws must be checked and re-tightened where necessary after installation. No lubricants should be used on screws or hooks.
5. To reduce the risk of personal injury install the safety cable (per Fig.1).
6. **DO NOT** attach blades before hanging the fan.
7. Used Batteries must be disposed of according to your local recycling regulations, many retail outlets provide special battery recycling drop off boxes.
8. Do not mix battery types or voltages to avoid personal injury and/or damage to the fan and remote control.

TROUBLESHOOTING

<u>TROUBLE</u>	<u>SUGGESTIONS</u>
1. Fan will not start	<ul style="list-style-type: none">- Check wiring connections to fan.- Check fuses and circuit breakers.- Check wiring connections in switch housing. CAUTION: Turn power off for last two items.
2. Fan sounds noisy	<ul style="list-style-type: none">- Check to make sure that all screws in motor housing are snug.- Check to make sure that blade bracket screws are tight.- Check to make sure that wire nuts in switch housing are not rattling against wall of switch housing.- If fan has a light kit make sure switch housing screws and set screws are tight.- Some fan motors are sensitive to signals from solid state variable controls. If solid state controller is used, change to an alternative control. (See a representative for a list of available controls.)- Allow a 24 hour break in period to eliminate most noises.
3. Fan wobbles or shakes excessively.	<ul style="list-style-type: none">- Check that all blades are screwed firmly into blade brackets.- Check that blade brackets are secured firmly to motor.- Check distance from tip of blades to ceiling.- Check distance between blade tip to blade tip. All measurements should be equal. Loosen blade screws and position blade until even then re-tighten.- Check that the downrod hemisphere notch is engaged in canopy- Check to make sure that jam screws in downrod are tightened.- Make sure canopy and mounting bracket are tightened securely to wooden joist.- Make sure warpage has not occurred in wooden blades. If so, contact the customer service department for replacement parts.

Supplier's Declaration of Conformity 47 CFR § 2.1077 Compliance Information

Unique Identifier: CANARMNA
Responsible Party

CanarmInc.
709 East Main Street, Teutopolis, Illinois, USA 62467
1.800.267.4427

This equipment has been tested and found to comply with the limits for a Class B digital device, pursuant to Part 15 of the FCC Rules. These limits are designed to provide reasonable protection against harmful interference in a residential installation. This equipment generates, uses and can radiate radio frequency energy and, if not installed and used in accordance with the instructions, may cause harmful interference to radio communications.

INSTALLATION

NOTE: All screws must be checked and retightened where necessary, before and after installation.

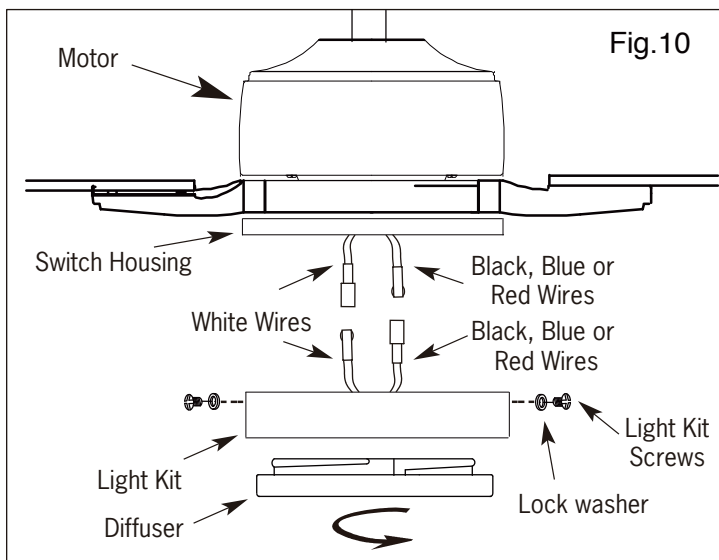
8. OPTIONAL FEATURE: LIGHT ADAPTABLE

DETACHABLE LIGHT KITS

- Remove light kit screws and washers.
- Connect polarized connectors of light kit to corresponding connectors found in switch housing.

WARNING: BE SURE TO TURN OFF POWER BEFORE INSTALLING

- Carefully tuck electrical wires back into switch housing, align light kit with switch housing and secure with three light kit screws and washers.
- Install the diffuser as shown.

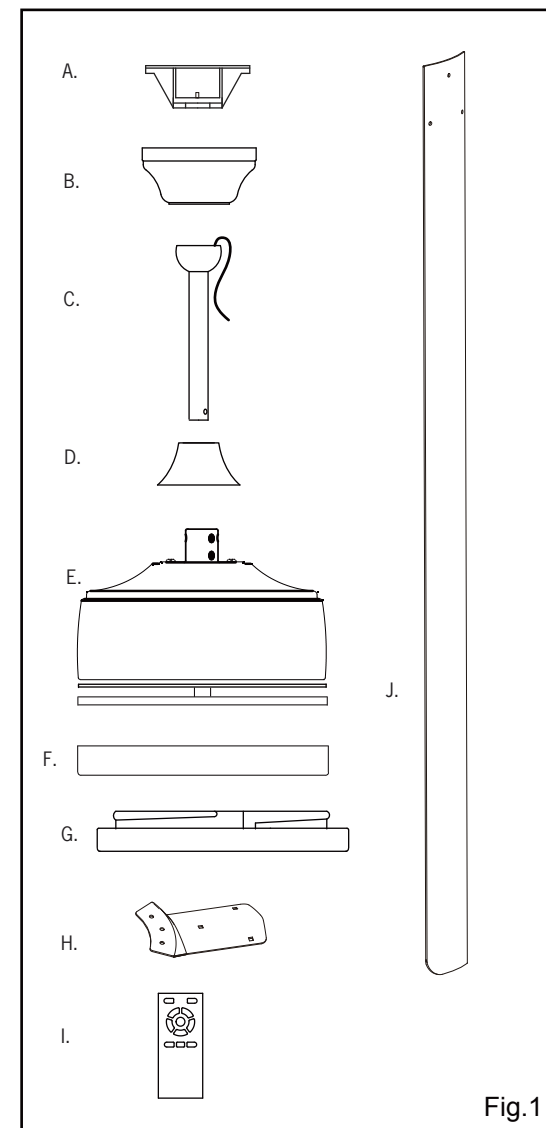


WARNING: Ensure that all connections, set screws and screws are securely tightened before the next step.

To clean the fixture, turn off the power, wait for it to cool, and wipe the fixture with a clean, soft cloth.

ASSEMBLY DRAWING

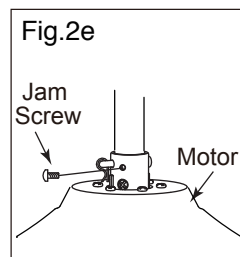
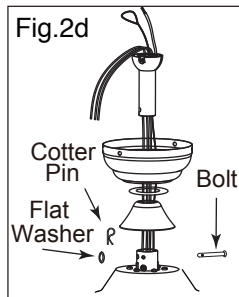
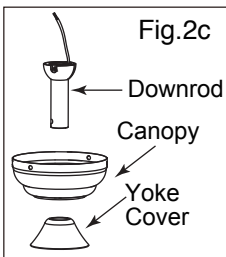
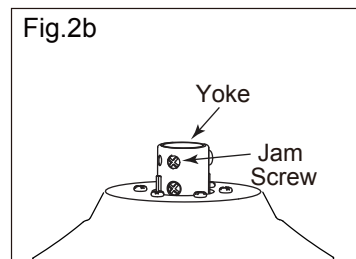
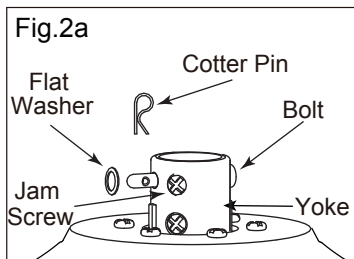
- A. Mounting Bracket
- B. Canopy
- C. Downrod Assembly
- D. Yoke Cover
- E. Fan Motor Assembly
- F. Light kit
- G. Diffuser
- H. Blade Bracket
- I. Remote Control
- J. Fan Blade



1. MOUNTING

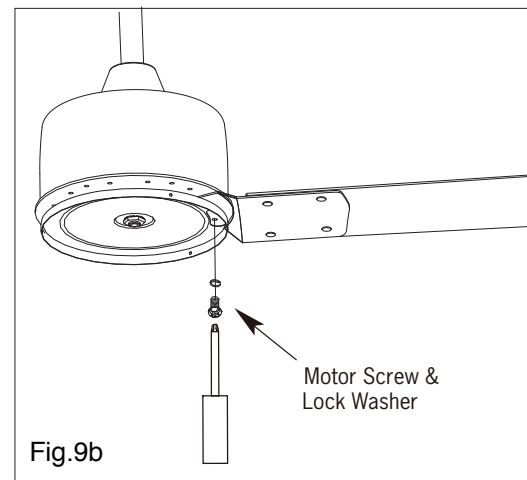
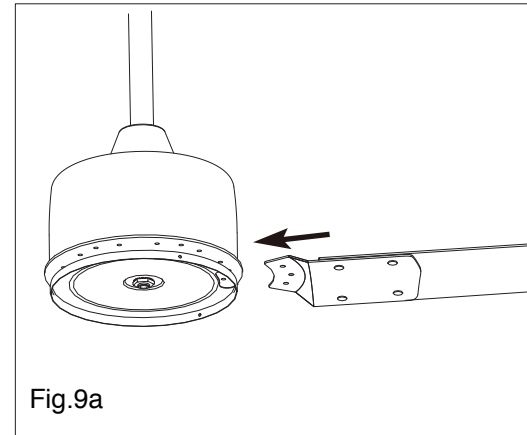
A DOWNROD MOUNT

- Take out fan motor housing.
- Remove cotter pin and bolt from yoke.
- Loosen jam screw in yoke until it is flush with the inside surface.
- Obtain downrod, canopy and yoke cover.
- Place downrod inside canopy and yoke cover.
- Route wires exiting motor through yoke cover, canopy and downrod.
- Insert bolt through hole in shaft and downrod. **Be careful not to damage or cut the fan wires.**
- Tighten flat washer and bolt. Secure with cotter pin through hole in the end of the bolt.
- Secure downrod in position by tightening jam screws. Slide yoke cover down so it is flush with the motor housing.



7. MOUNTING BLADES TO MOTOR

- Insert the blade arm into the fan as shown.
- Tighten the blade arm to motor with the screw and lock washer as shown.
- Slightly turn the blade after installation and repeat the same step for the other blades.



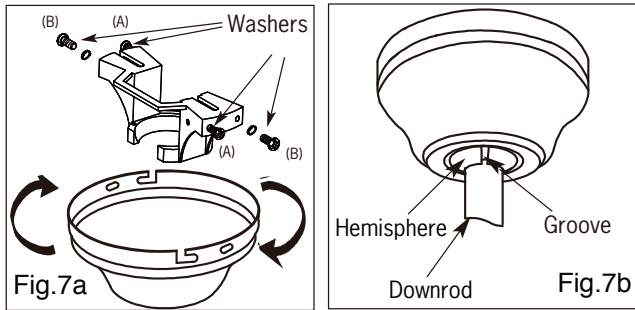
4. MOUNTING FAN ASSEMBLY

- Place two screws and washers on mounting plate (marked B on diagram) which correspond with slots in canopy. Screw in two turns.
- Position canopy to mounting plate aligning slots to screws (marked B on diagram) then turn to lock.
- Position and tighten the two screws and washers (marked A on diagram) then tighten the two screws (marked B on diagram).

5. ENGAGE HEMISPHERE (Downrod Mount Only)

- Carefully rotate fan assembly until groove in hemisphere locks over tab of canopy assembly.

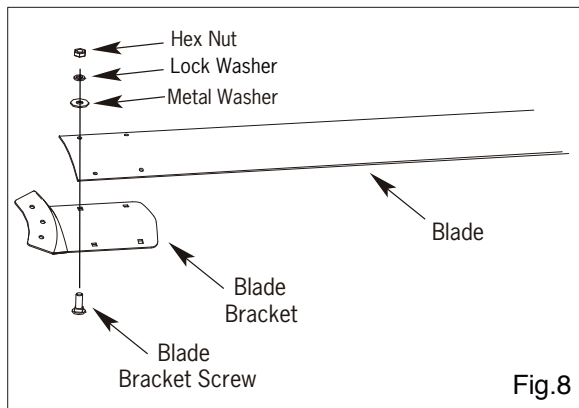
WARNING: Failure to seat tab in groove could cause damage to electrical wires and possible shock or fire hazard.



NOTE: When installing fan on sloped ceiling, make sure tab on hanger bracket faces towards the top of the slope. Depending on the slope, a longer downrod may be required to prevent fan blades from hitting the ceiling.

6. MOUNT BLADE BRACKETS TO BLADES

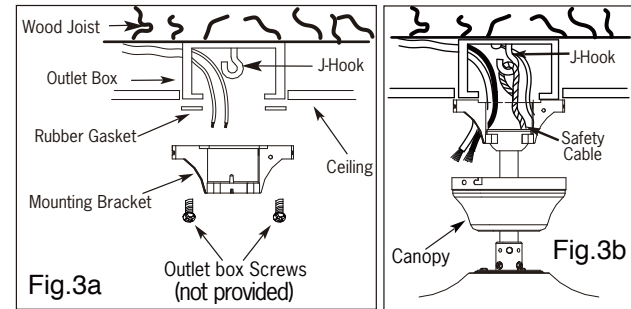
- Place blade bracket screw through flat washer, fibre washer and blade.
- Align with corresponding hole in blade bracket.
- Repeat with (2) remaining screws and tighten.



2. INSTALL MOUNTING BRACKET

WARNING: To Reduce The Risk Of Fire, Electric Shock, Or Personal Injury, Mount To UL/CSA Listed Outlet Box Marked Acceptable for Fan Support And Use Mounting Screws Provided With The Outlet Box.

- Install J-Hook through centre of outlet box and into the wooden joist.
- Secure mounting bracket and rubber gaskets to outlet box.
- Hang the safety cable onto the J-hook.
- Hang fan on temporary hook or mounting bracket.



3. ELECTRICAL HOOK-UP

- There are several different wiring combinations that can be used in controlling your ceiling fan to meet your specific requirements. Should the following method not meet your requirements call or visit your nearest distributor for a full list of fan accessories.

CAUTION

Green Wire - GROUND
Black Wire (Fan) - POWER
White Wire (Fan) - COMMON

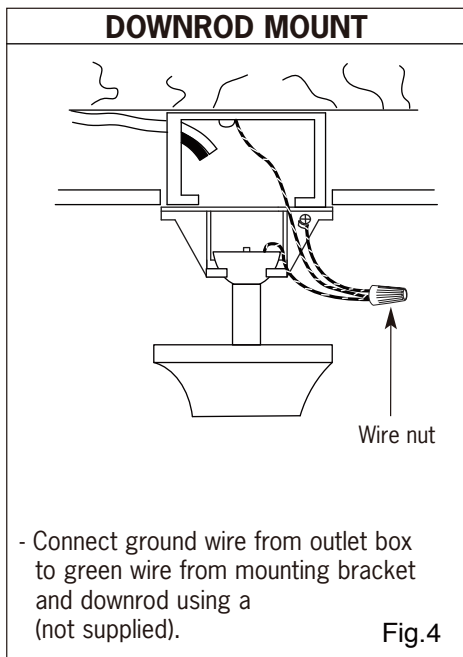
**SEE SAFETY PRECAUTIONS ON
PG. #2 BEFORE WIRING**

After making the wire connections, ensure the wires should be spread apart with the grounded conductor and the equipment-grounding conductor on one side of the outlet box and the ungrounded conductor on the other side of the outlet box.

Ensure the splices after being made should be turned upward and pushed carefully up into the outlet box.

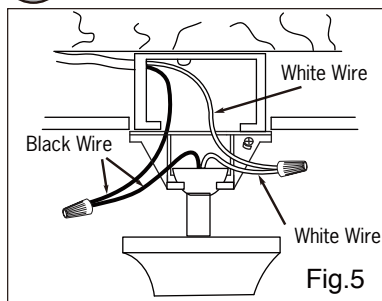
3. ELECTRICAL HOOK-UP

A CONNECTING THE (GREEN) GROUND WIRE



NOTE: Once ground wires are connected, carefully tuck wires and wire nut into the outlet box making sure that the wires are clear of the hemisphere and downrod when positioned in mounting bracket (Downrod Mount Only).

B CONNECTING BLACK, WHITE, AND (RED OR BLUE) WIRES

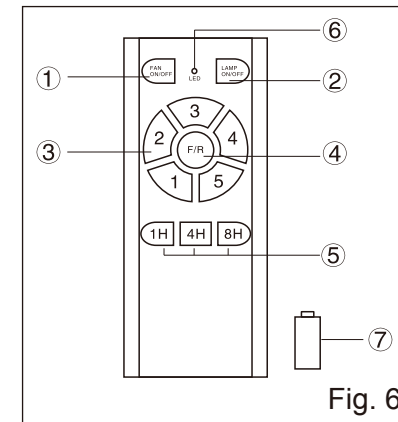


- Connect white wire from outlet box to white wire from fan using wire nut (not supplied).
- Connect black wire from outlet box to black wire from fan using a wire nut (not supplied).

NOTE: Once wires are connected, carefully tuck wires and wire nuts into the outlet box making sure that the wires are clear of the hemisphere and downrod when positioned in mounting bracket (Downrod Mount Only).

3. ELECTRICAL HOOK-UP FUNCTION INSTRUCTION OF EMITTER

- C**
- Learning code and matching mode is used between transmitter and receiver.
 - Turn "ON" the supply power. Within 30 seconds, press "FAN ON/OFF" button on the transmitter for 5 seconds. Transmitter and receiver are connected after hearing a long "beep".
 - If the transmitter cannot control the fan, check to ensure all wiring connections are properly connected according to the instruction manual. Check to ensure the batteries are in the right position. Check whether there are any similar remote controls in use nearby. Check whether they work with the same frequency.
 - Low voltage of battery will affect the sensitivity of the transmitter. The indicator light will flash when battery voltage is low. Replace the batteries for better performance.
 - Take out the batteries from the transmitter when leaving unused for long periods of time.
 - **Ensure to connect the ground wire accordingly.**

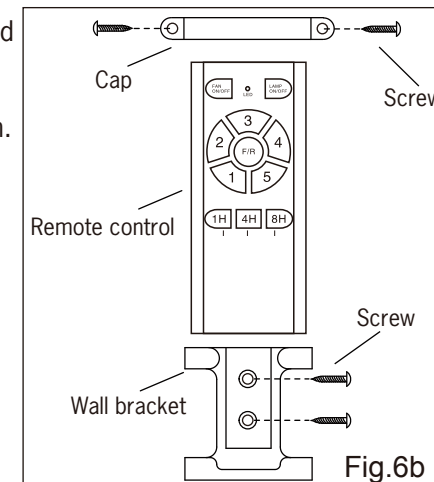


REMOTE CONTROL

- ① ON/OFF the fan
- ② Short press: ON/OFF the light
Long press (hold for 3 seconds): Dimming
- ③ Speed of the fan (①low speed — ⑤high speed)
- ④ Direction of the fan (reverse switch)
- ⑤ Timing control of the fan
- ⑥ LED indicated light
- ⑦ 12V battery should be used in emitter

D INSTALLING THE REMOTE CONTROL WALL BRACKET

- If desired, the wall bracket can be installed to house the remote control.
- Use the screws to secure the wall bracket at the desired mounting location.
 - Place the remote control into the wall bracket.
 - Mount the cap onto the top of remote control as shown by the 2 screws if necessary.



Si cet équipement provoque des interférences nuisibles avec la réception de radio ou de télévision, ce qui peut être déterminé en éteignant et en rallumant l'équipement, l'utilisateur est invité à tenter de corriger l'interférence en appliquant l'une ou plusieurs des mesures suivantes :

- Réorienter ou déplacer l'antenne de réception.
- Accroître la distance entre l'équipement et le récepteur.
- Connecter l'équipement à une prise d'un circuit différent de celui auquel le récepteur est connecté.
- Consulter le revendeur ou un technicien radio/tv expérimenté pour obtenir de l'aide.

MISE EN GARDE:

Tout changement ou modification non expressément approuvé par le bénéficiaire de cet appareil peut annuler le droit de l'utilisateur à utiliser l'équipement.

Cet appareil répond aux normes de la FCC partie 15. L'utilisation est sujette aux deux conditions suivantes : (1) L'appareil ne causera pas d'interférence nuisible, (2) L'appareil acceptera toute interférence reçue incluant l'interférence qui causera une opération indésirable.

Ce dispositif comprend un(des) transmetteur(s)/appareil(s) de réception exempt(s) de licence qui est(sont) conforme(s) aux normes d'exemption de licence RSS de Innovation, Sciences et Développement économique Canada. Son fonctionnement est soumis aux deux conditions suivantes:

1. Cet appareil ne doit pas causer d'interférences préjudiciables.
2. il doit accepter toute interférence reçue, y compris les interférences pouvant entraîner un fonctionnement indésirable.

GARANTIE LIMITÉE DE 5 ANS

"**Merci**" d'avoir opté pour un de nos produits. Notre politique est de vous fournir un produit de qualité à un prix compétitif. Avec l'aide d'une installation adéquate, votre ventilateur vous fournira des années de confort et d'économies d'énergie.

Ce ventilateur est garanti contre toutes déficiences de matériaux ou de main-d'oeuvre pour une période de cinq (5) ans à partir de la date d'achat. Durant la première (1) année suivant l'achat, un produit défectueux devra être retourné au détaillant accompagné de la preuve d'achat. Pour la balance de la garantie soit quatre (4) ans, **LE MOTEUR SEULEMENT SERA GARANTIE** contre toutes déficiences. Nous réparerons ou remplacerons, à notre choix, le moteur défectueux si celui-ci est retourné frais de port payés. Le ventilateur doit être retourné **accompagné de la preuve d'achat et d'un chèque de \$20.00** pour couvrir les frais de main-d'oeuvre et de manutention.

Tous les frais encourus dans le démontage et la réinstallation du produit sont à vos frais. Les dommages causés par un accident, un abus, une opération inadéquate, une mauvaise installation ou l'installation d'un accessoire **NE SONT PAS COUVERTS PAR CETTE GARANTIE**. Aussi, en vue des variations climatiques de notre région, cette garantie ne couvre pas les changements du fini, soit, la rouille, la corrosion, le ternissement ou l'écaillage. **Cette garantie sera nulle lors d'altération, d'abus ou d'installation non-conformes aux instructions ou lorsque l'étiquette de L'ACNOR (CSA) serait ENLEVÉE.** 11/16

CP-4
LED
07/21



BESOIN D'AIDE?

Écrivez-nous ou appelez nous d'abord

Notre équipe de service est prêt à répondre à vos questions...

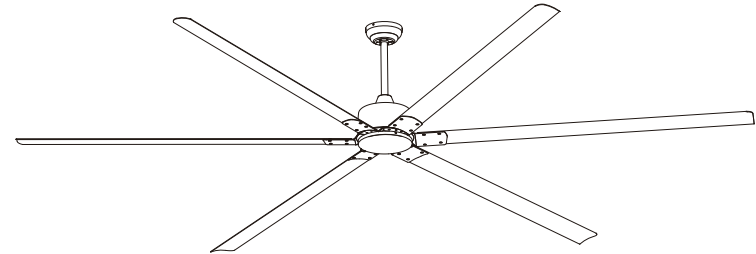
1-800-265-1833 (Anglais) / 1-800-567-2513 (Français)

Lundi - Vendredi
8 AM - 5 PM EST.

Au Canada - ressalesscanada@canarmna.ca - Aux États-Unis - ressalessusa@canarmna.ca

MODE D'INSTALLATION

SERIE DOUBLE MONTURE



INSTRUCTIONS CONCERNANT LE RISQUE D'INCENDIES OU LES DOMMAGES DES PERSONNES LISEZ TOUTES LES INSTRUCTIONS



INSTRUCTIONS DE SÛRETÉ IMPORTANTES GARDEZ CES INSTRUCTIONS

L'installation et les connexions électriques doivent être conformes aux normes CEC, NEC et codes électriques locaux ainsi que les codes ANSI/NFPA 70. Consultez un électricien qualifié si vous n'êtes pas familiers avec l'électricité

OUTILS ET MATÉRIAUX REQUIS

- Tournevis Philips
- Escabeau
- Tournevis Plat
- Coupeur de Fil
- Fournitures électriques telles que prescrites par le code électrique

N.B.: Pour une opération silencieuse, complétez l'installation et rondez durant 24 heures.

2157 Parkedale Ave.,
Brockville, Ontario
K6V 5V6
PH: (613) 342-5424
FX: (613) 342-8437

2555 Rue Bernard
Lafayette Laval, Quebec
H7C 0A5
PH: (450) 665-2535
FX: (450) 665-0910

MISE EN GARDE

1. Fermez le courant au disjoncteur avant l'installation.
2. Les connexions électriques doivent être conformes aux codes et ordonnances électriques nationaux CEC, NEC et ANSI/NFPA 70.
3. Lorsque vous choisissez l'emplacement du ventilateur assurez-vous que cet endroit permettra une rotation libre des pales sans obstructions.
4. Lorsque vous installez le ventilateur à la boîte électrique au plafond, Utilisez une boîte "**POUR SOUTIEN D'UN VENTILATEUR**" approuvée pour les ventilateurs de plafond (CSA pour le Canada et UL for les E.U.). Assurez-vous que la boîte électrique est bien fixée au plafond et peut supporter le poids du ventilateur.
5. **AVERTISSEMENT:** Pour réduire le risque d'incendie, de choc électrique ou de toute autre blessure, fixez le ventilateur uniquement à une boîte de sortie de courant ou à un système de support portant la mention capable de supporter un ventilateur de 15,9 kg (35 lb) ou moins, au moyen des vis de montage fournies avec la boîte de sortie de courant. La plupart des boîtes de sortie de courant utilisées couramment pour le support de luminaires ne conviennent pas aux ventilateurs et peuvent devoir être remplacées. En cas de doute, consultez un électricien qualifié.
6. Pour votre référence, le poids approximatif du ventilateur est 120",15.0 kgs (33.08 lbs).

AVERTISSEMENT

1. Pour réduire le risque de blessure, **NE PLIEZ PAS** les supports de pales lorsque vous les installez, équilibrez les pales ou nettoyez le ventilateur. **N'INTRODUISEZ PAS** non plus de corps étranger entre les pales rotatives du ventilateur.
2. Retirez le ventilateur de l'emballage et vérifiez s'il n'y aurait pas de dommage causé par le transport. Vérifiez les pales pour tous bris ou plis. Si une assistance est requise, communiquez avec votre centre de service.
3. Installer avec les parties mobiles inférieures au moins à 3.05 mètres (10 pieds) au-dessus du niveau de plancher ou du sol.
4. Toutes les vis de blocage devront être vérifiées après l'installation et serrées de nouveau s'il y a lieu. Aucun lubrifiant devrait être utilisé sur les vis et les crochets.
5. Pour réduire les risques d'accident, installez le câble de soutien secondaire (illust. 1).
6. N'installez pas les pales avant d'avoir installé le ventilateur.
7. Les piles usées doivent être disposées selon votre réglementation locale en matière de recyclage. De nombreux points de vente offrent des boîtes de dépôt spéciales pour le recyclage des batteries.
8. Ne mélangez pas les types de batteries ou de voltage afin de vous éviter des blessures et/ou de risquer d'endommager le ventilateur et le contrôle à distance.

DEPANNAGE

PROBLEME

1. Le ventilateur ne démarre pas.
2. Le ventilateur est bruyant.
3. Le ventilateur oscille excessivement.

SUGGESTION

- Vérifiez les fusibles au disjoncteur.
 - Vérifiez les connexions électriques au ventilateur.
 - Vérifiez les connexions électriques dans le logement des interrupteurs.
- Fermez le courant aux deux derniers items.**
- Assurez-vous que toutes les vis du moteur sont bien serrées.
 - Assurez-vous que les vis des ferrures de pales sont bien serrées.
 - Assurez-vous que les marrettes à l'intérieur du logement des interrupteurs ne cognent pas contre les parois du logement.
 - Si votre ventilateur porte un luminaire assurez-vous que le vis du luminaire au logement soient bien serrées.
 - Certains ventilateurs sont très sensibles aux signaux émis d'un contrôle à transformateur à vitesse variable ou d'un réducteur. Nous vous suggérons d'utiliser un contrôle approprié à votre ventilateur (voir un représentant pour une liste des contrôles qui sont disponibles).
 - Allouez 24 heures de rodage pour éliminer certains bruits.
 - Assurez-vous que les pales sont bien vissées aux ferrures de pales.
 - Assurez-vous que les ferrures sont bien vissées au moteur.
 - Vérifiez la distance entre le plafond et chacune des pales.
 - Vérifiez la distance entre chaque pale. Cette distance devrait être la même pour chaque paire de pales. Dévissez la ferrure et repositionnez la pale à la distance voulue et revissez ensuite la ferrure.
 - Assurez-vous que la demi-sphère est bien engagée dans l'entaille de la cloche.
 - Assurez-vous que la vis de blocage de la tige soit bien engagée.
 - Assurez-vous que la ferrure de montage ainsi que la cloche sont bien serrées à la solive.
 - Assurez-vous qu'aucun crochissement ne s'est produit dans les pales. Pour vérifier ceci mettez vos pales à plat sur une table. Si un crochissement s'est produit, communiquez avec votre représentant au numéro de service à la clientèle indiqué sur la garantie.

Supplier's Declaration of Conformity 47 CFR § 2.1077 Compliance Information

Unique Identifier: CANARMNA
Responsible Party

CanarmInc.
709 East Main Street, Teutopolis, Illinois, USA 62467
1.800.267.4427

Cet équipement a été testé et déclaré conforme aux limites imposées aux appareils numériques de classe B, conformément à la section 15 du règlement de la FCC. Ces limites sont conçues pour fournir une protection raisonnable contre les interférences nuisibles dans une installation résidentielle. Cet équipement génère, utilise et peut émettre de l'énergie des fréquences radio. S'il n'est pas installé et utilisé conformément aux instructions, il peut causer des interférences nuisibles aux communications radio. Cependant, rien ne garantit que des interférences ne se produiront pas dans une installation particulière.

INSTALLATION

N.B.: Toutes les vis doivent être vérifiées et resserrées si nécessaire, avant et après l'installation.

8.

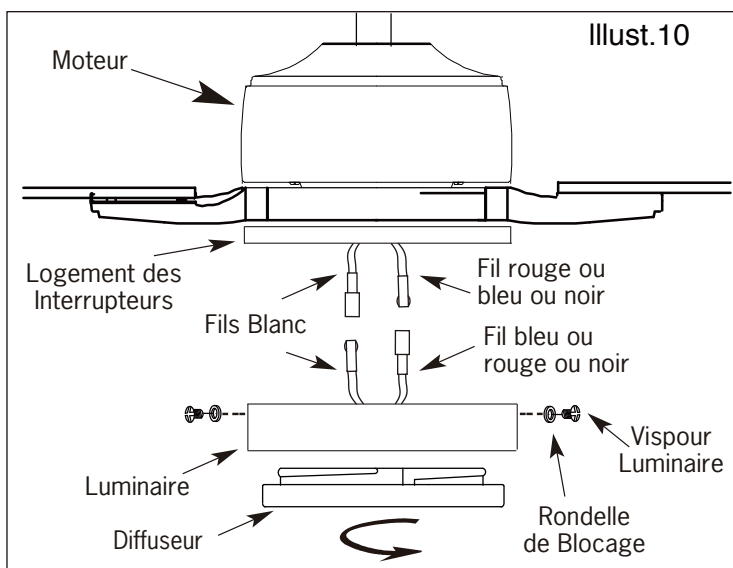
FONCTION OPTIONNELLE : ADAPTABLE POUR UNE LUMIÈRE

LUMINAIRES DETACHABLES

- Otez les vis et les rondelles du luminaire.
- Branchez les connecteurs du luminaire au connecteurs appropriés qui se trouvent dans le logement des interrupteurs du ventilateur.

MISE EN GARDE: ASSUREZ-VOUS QUE LE COURANT EST FERME AVANT DE FAIRE L'INSTALLATION

- Poussez les fils soigneusement dans le logement des interrupteurs en alignez les trous du luminaire avec ceux du logement. Utilisez les 3 vis ainsi que les rondelles pour fixer le tout en place.
- Installez le diffuseur comme indiqué.

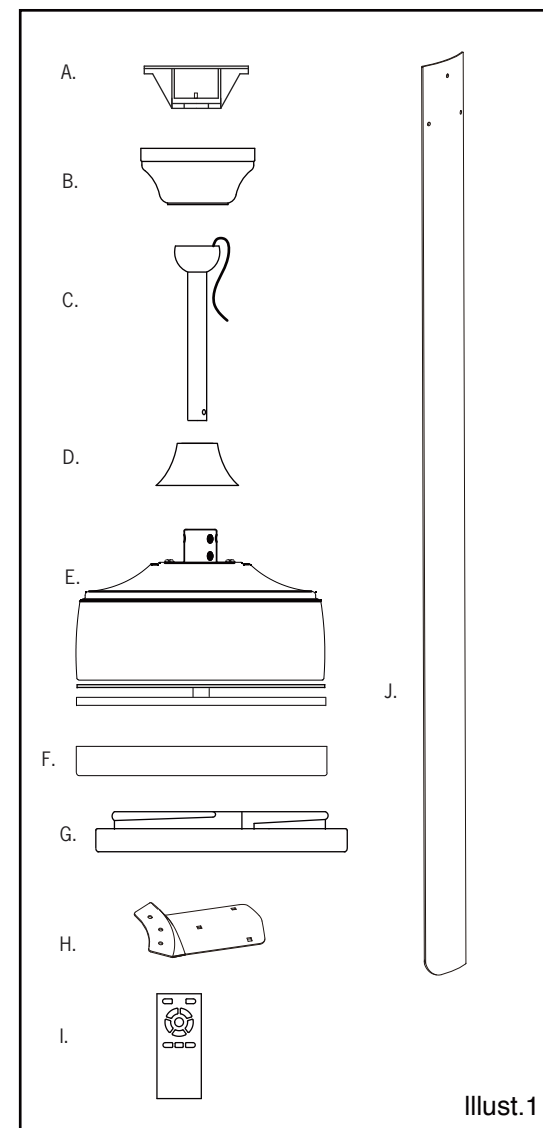


AVERTISSEMENT : Vérifiez tous vos branchements et assurez-vous que les vis de serrage et les vis sont bien serrées avant de procéder à la prochaine étape.

Pour nettoyer le luminaire, éteignez-le, attendez qu'il soit froid, puis nettoyez-le avec linge propre et doux.

TABLEAU DES PIÈCES

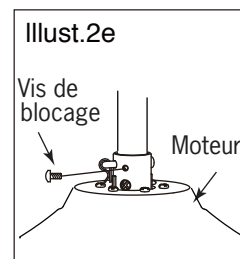
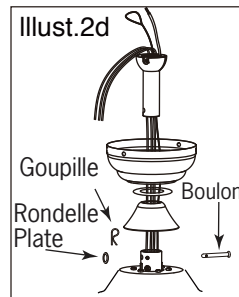
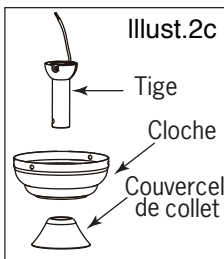
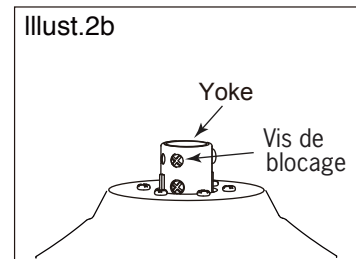
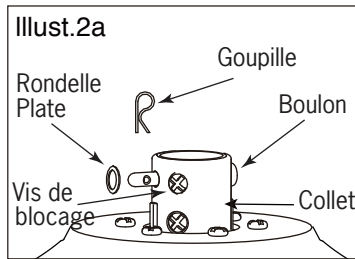
- A. Support de montage
- B. Cloche
- C. Tige de suspension
- D. Couvercle du collet
- E. Moteur du ventilateur
- F. Luminaire
- G. Diffuseur
- H. Rondelle plate
- I. Contrôle à distance
- J. Pale



1. CHOIX DE MONTAGE

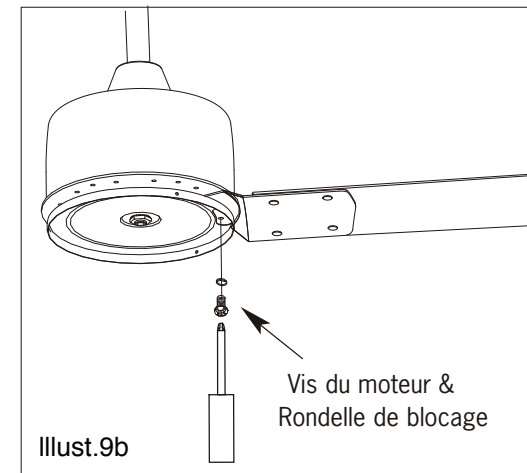
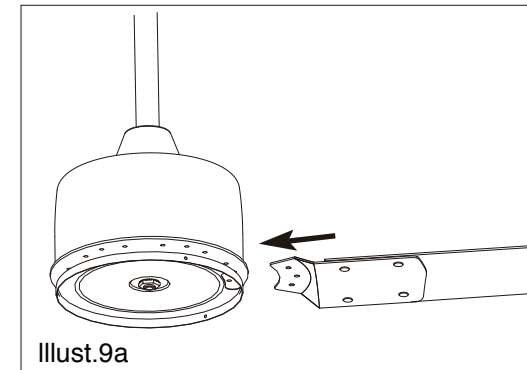
A MONTAGE AVEC LA TIGE

- Prenez le moteur de ventilateur.
- Retirez la goupille et le boulon du collet.
- Dévissez la vis de blocage du collet jusqu'à ce qu'elle soit à l'intérieur de la surface.
- Prenez la tige, la cloche et couvercle du collet .
- Posez la tige dans la cloche et couvercle du collet.
- Faufilez les fils du moteur en travers du couvercle de collet, la cloche et de la tige.
- Insérez le boulon en travers du trou du collet et de la tige. **“Assurez-vous que vous n'endommagez pas ou ne coupez pas les fils.”**
- Serrez la rondelle plate et le boulon. Fixez en place en insérant la goupille en travers du trou au bout du boulon.
- Fixez la tige en position en serrant le vis. Glissez le couvercle du collet afin qu'il soit bien en place avec le logement du moteur.



7. MOUNTING BLADES TO MOTOR

- Insérez le bras de la pale dans le ventilateur tel qu'indiqué.
- Serrez le bras de la pale au moteur avec la vis et la rondelle de blocage tel qu'indiqué.
- Tournez légèrement la pale après l'installation et répétez la même procédure pour les autres pales.



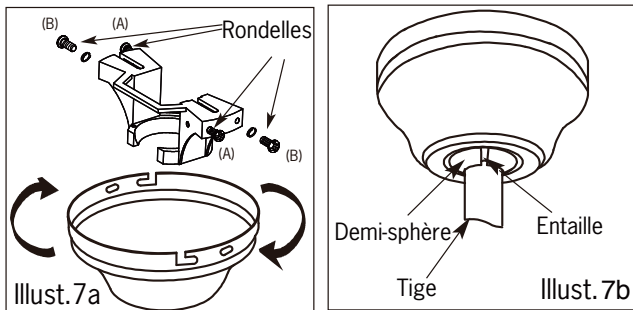
4. ASSEMBLAGE DU MOTEUR

- Posez les deux vis et rondelles sur la plaque de montage (indiqué par B sur le diagramme) qui correspondent avec les fentes sur la cloche. Vissez en deux tours.
- Placez la cloche sur la plaque de montage en alignant les fentes aux vis, indiquées par B sur le diagramme, et tournez en bloquant en place.
- Mettre en position et serrez en place à l'aide des deux vis et rondelles (indiquées par A sur le diagramme) et serrez alors les deux vis (indiquées par B sur le diagramme).

5. ENGAGEZ LA DEMI-SPHERE (Montage sur Tige Seulement)

- Tournez soigneusement le ventilateur jusqu'à ce la fente de la demi-sphère soit engagée dans l'entaille de la cloche.

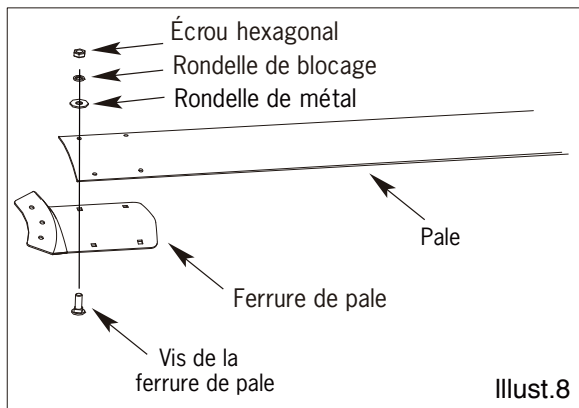
MISE EN GARDE: Omettre d'insérer la languette dans l'ouverture prévue pourrait endommager les fils et ca user une secousse électrique ou un incendie.



N.B.: Lorsque vous installez un ventilateur sur un plafond en pente, assurez-vous que l'entaille sur la ferrure soit face à la pente du plafond. Dépendant de l'angle de cette pente, une tige plus longue peut être requise afin d'empêcher les pales de cogner le plafond.

6. POSEZ LES PALES AU VENTILATEUR

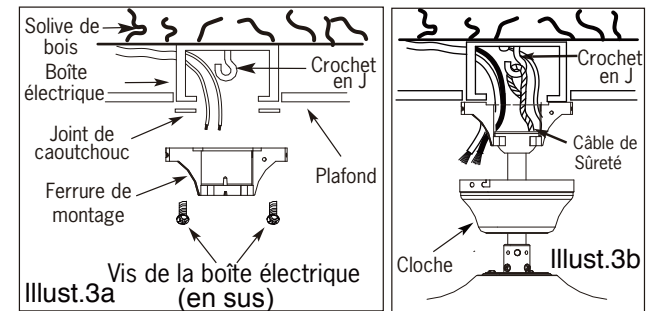
- Placez la vis du support de pale dans la rondelle plate, la rondelle en fibre et la pale.
- Alignez avec le trou correspondant dans le support de pale.
- Répétez avec (2) vis restantes et serrez.



2. INSTALLATION DU SUPPORT DE MONTAGE

MISE EN GARDE: Pour réduire les risques d'incendies, de secousses électriques ou de blessures corporelles, installez sur une boîte électrique listée UL /CSA ayant la notation, Acceptable pour supporter un ventilateur, et utilisez les vis fournies avec cette boîte électrique.

- Installez le crochet en J en travers du centre de la boîte électrique puis en travers de la solive de bois.
- Fixez la ferrure de montage et le joint de caoutchouc à la boîte électrique.
- Suspendez le câble de sécurité sur le crochet en J.
- Suspendre le ventilateur sur le crochet temporaire ou sur la ferrure d'installation.



3. CONNEXIONS ÉLECTRIQUES

- Il existe plusieurs façons de brancher le ventilateur pour satisfaire à vos besoins spécifiques. Si un des moyens mentionnés ne correspond pas à ce que vous désirez, appelez-nous ou visitez votre détaillant le plus près afin d'obtenir une liste des accessoires de contrôles qui sont disponibles.

MISE EN GARDE

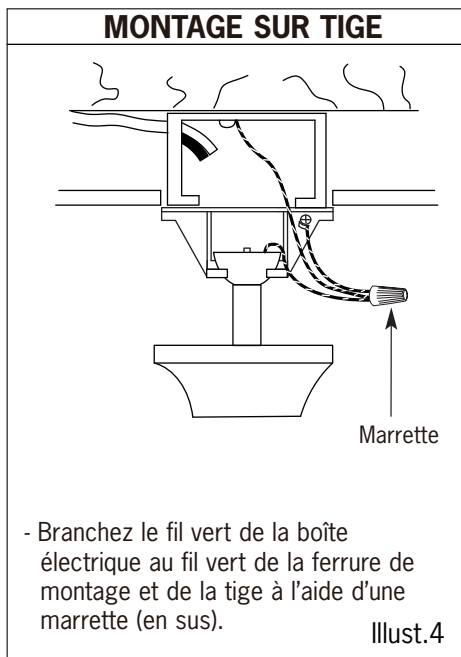
Fil Vert - Mise à terre
 Fil Noir (Ventilateur) - Pouvoir
 Fil Blanc (Ventilateur) - Commun

Voir les mises en garde de la Pg. #2 avant de brancher votre ventilateur.

- Après avoir effectué les connexions, assurez-vous que les fils mises à terre et le conducteur d'équipement mise à terre soit séparés dans la boîte électrique des conducteurs sans mises à terre.
- Assurez-vous que les bouts des fils coupés soient pointés vers le haut et soient poussés soigneusement dans la boîte électrique.

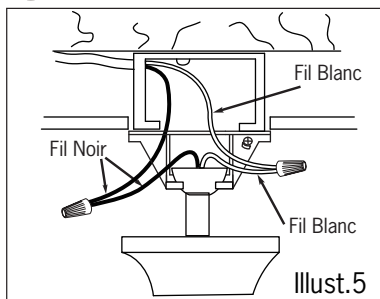
3. CONNEXIONS ÉLECTRIQUES

A BRANCHEZ LE FIL VERT (Mise à terre)



N.B.: Lorsque les fils sont branchés, pousser soigneusement les fils et la marrette dans la boîte électrique en vous assurant que les fils ne sont pas gênés par l'hémisphère ou la tige lorsque vous positionnez la ferrure de montage (pour installation avec tige seulement)

B BRANCHEZ LES FILS NOIR, BLANC ET ROUGE OU BLEU



- Branchez le fil blanc de la boîte électrique au fil blanc du ventilateur à l'aide d'une marrette (en sus).
- Posez le fil noir de la boîte électrique au fil noir du ventilateur à l'aide d'un connecteur de fil (en sus).

N.B.: Lorsque les fils sont branchés, pousser soigneusement les fils et la marrette dans la boîte électrique en vous assurant que les fils ne sont pas gênés par l'hémisphère ou la tige lorsque vous positionnez la ferrure de montage (pour installation avec tige seulement)

3. CONNEXIONS ÉLECTRIQUES

MODE D'EMPLOI DE L'ÉMETTEUR

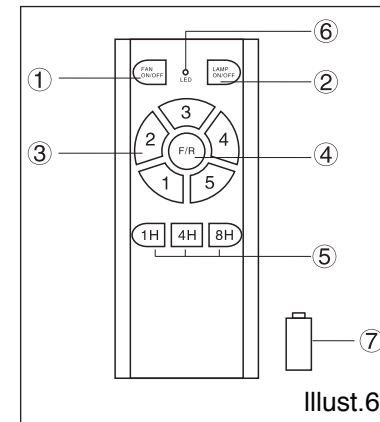
C - Le code d'apprentissage et méthode de couplage est utilisé entre le transmetteur et récepteur.

- Appuyez sur "ON" pour allumer. Dans les 30 secondes suivantes, appuyez sur « FAN ON/OFF » sur le transmetteur durant 5 secondes. Le transmetteur et récepteur seront connectés.

- Si le transmetteur ne peut contrôler ventilateur, assurez-vous que toutes les connexions sont fait selon le manuel d'instruction. Assurez-vous que les batteries sont dans la bonne position. Vérifiez si un contrôle similaire est utilisé dans un endroit près de vous. Si c'est le cas, assurez-vous que les fréquences soient différentes.

- Un bas voltage de la batterie peut affecter la sensibilité du transmetteur. L'indicateur va clignoter quand la batterie sera faible. Remplacez la batterie pour obtenir une meilleure performance.

- Retirez les batteries du transmetteur l'orsqu'il est laissé sans utilisation durant une longue période de temps.
- **Assurez-vous de connecter le fil de mise-à-terre en conséquence.**



TÉLÉCOMMANDE

- ① Ventilateur ALLUMÉ/ÉTEINT
- ② Appuyez légèrement; lumière ALLUMÉE/ÉTEINTE
Appuyez longuement (pour 3 secondes); Intensité de la lumière
- ③ Vitesse du ventilateur (① petite vitesse - ⑤ grande vitesse)
- ④ Direction du ventilateur (interrupteur de renverse)
- ⑤ Minuterie du ventilateur
- ⑥ Lumière témoin DEL
- ⑦ Utilisez une batterie 12V pour l'émetteur

D POSE DU SUPPORT MURAL DU CONTRÔLE À DISTANCE

Si désiré, le support murale peut être installé pour contenir la manette de contrôle.

- Utilisez les vis pour sécuriser le support mural à l'endroit désiré.
- Placez la manette dans le support mural.
- Installez le couvert sur le dessus de la manette tel qu'indiqué avec les 2 vis si nécessaire.

