

# PENDANT LIGHT

IPL636A01  
10/15

QUESTIONS OR CONCERNS CONTACT CANARM AT:  
1-800-265-1833 (English) 1-800-567-2513 (French)  
Monday through Friday 8:00 AM to 5:00 PM E.S.T.



INSTRUCTIONS PERTAINING TO RISK OF FIRE OR INJURY TO PERSONS  
READ ALL INSTRUCTIONS

## IMPORTANT SAFETY INSTRUCTIONS

### SAVE THESE INSTRUCTIONS

#### TOOLS AND MATERIALS REQUIRED:



Phillips Screwdriver



Wire Cutters



Pliers



Wrench

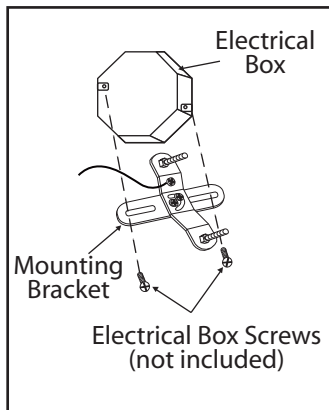
Wiring supplies as required by the Canadian Electrical Code and/or the Quebec Electrical code

#### SAFETY PRECAUTIONS:

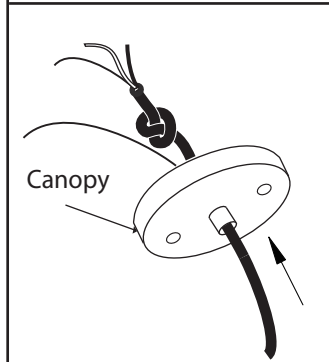
1. TURN OFF ELECTRICAL POWER BEFORE STARTING INSTALLATION OF LIGHT FIXTURE.
2. THIS PRODUCT MUST BE INSTALLED IN ACCORDANCE WITH THE APPLICABLE INSTALLATION CODE BY A PERSON FAMILIAR WITH THE CONSTRUCTION AND OPERATION OF THE PRODUCT AND THE HAZARDS INVOLVED.
3. CONNECT THE GROUND WIRES (BARE COPPER OR GREEN) FROM YOUR FIXTURE TO THE GROUND WIRE (BARE COPPER OR GREEN) OR GROUND SCREW IN THE ELECTRICAL BOX.

**NOTE: Product May Not Look Exactly As Shown In Figures.**

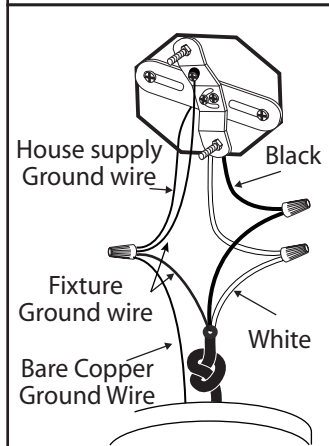
#### INSTALLATION:



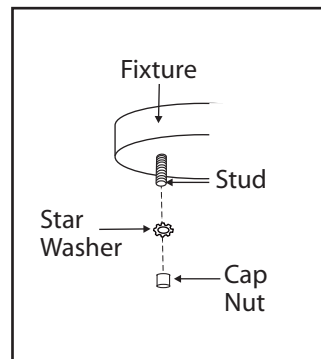
**1.** Mount the mounting bracket to electrical box using electrical box screws (not included). Make sure the studs on the mounting bracket are facing out from the electrical box.



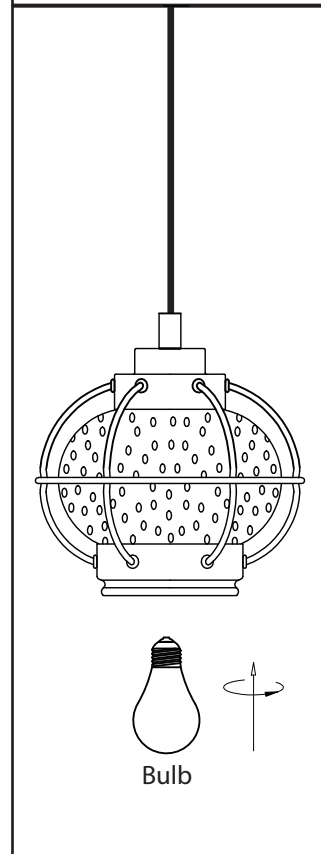
**2.** Adjusting the length of flexible cord. For safety, do not release the knot inside canopy.



**3.** Connect the ground wires (bare copper or green) from your fixture to the ground wire (bare copper or green) or ground screw in the electrical box. Attach the black wire (or wire marked "SPT-1") from the light fixture to the black wire in the electrical box. Attach the white wire from the light fixture to the white wire in the electrical box.



**4.** Once wire connections are completed, carefully tuck wires and wire nuts into the electrical box making sure no bare wire (on the black and white) is visible at the wire nuts.



**5.** Install the light fixture to the ceiling by aligning the hole(s) in the fixture with the studs on the mounting bracket. Secure fixture in place with star washer(s) and cap nut(s).

**6.** Install specified bulb type and wattage (not included).