

QUESTIONS OR CONCERNS CONTACT CANARM AT:

1-800-265-1833 (English) 1-800-567-2513 (French) 1-800-267-4427 (USA)
Monday through Friday 8:00 AM to 5:00 PM E.S.T.

TOOLS AND MATERIALS REQUIRED:



Phillips Screwdriver



Wire Cutters



Pliers



Wrench

Wiring supplies as required by electrical code

"INSTRUCTIONS PERTAINING TO RISK OF FIRE OR INJURY TO PERSONS"
"READ ALL INSTRUCTIONS"

"IMPORTANT SAFETY INSTRUCTIONS"

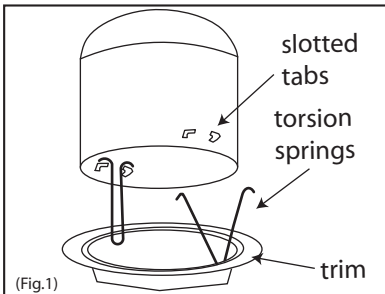
"SAVE THESE INSTRUCTIONS"

SAFETY PRECAUTIONS:

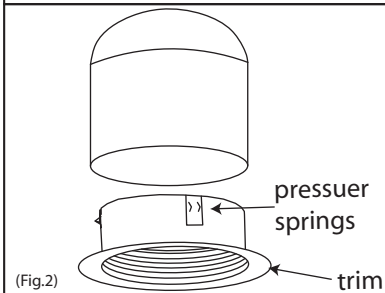
1. **TURN OFF ELECTRICAL POWER BEFORE STARTING INSTALLATION OF LIGHT FIXTURE.**
2. **THIS PRODUCT MUST BE INSTALLED IN ACCORDANCE WITH THE APPLICABLE INSTALLATION CODE BY A PERSON FAMILIAR WITH THE CONSTRUCTION AND OPERATION OF THE PRODUCT AND THE HAZARDS INVOLVED.**
3. **CAUTION – RISK OF FIRE. CONSULT A QUALIFIED ELECTRICIAN TO ENSURE CORRECT BRANCH CIRCUIT CONDUCTOR.**
4. **CAUTION : RISK OF FIRE, ONLY USE CANARM TRIM LISTED ON THE RELAMPING LABEL ON THE HOUSING.**

NOTE: Product May Not Look Exactly As Shown In Figures.

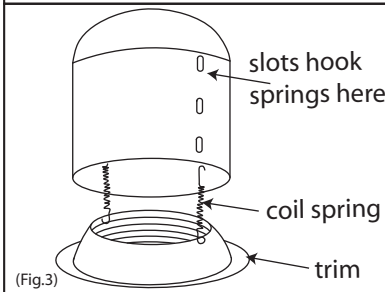
INSTALLATION: Follow one of the following steps for your trim.



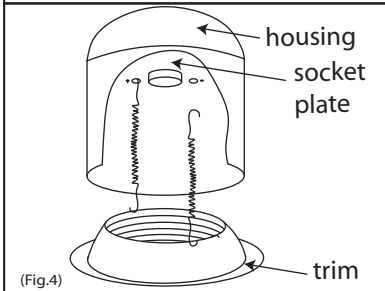
1. TORSION SPRINGS: Squeeze the arms together and insert them into the slotted tabs on the inside of the housing. Push upward fully so springs will hold trim in place. (Fig.1)



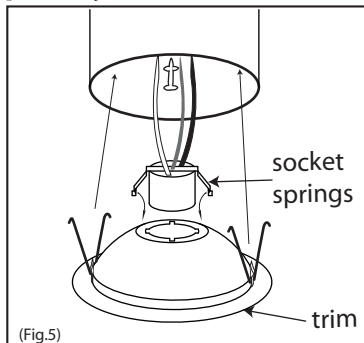
2. PRESSURE SPRINGS: Bend slotted tabs up and insert trim into housing. Push upward fully and pressure springs will hold trim in place. (Fig.2)



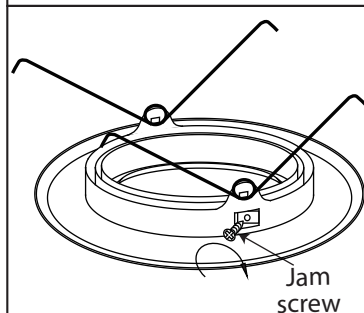
3. COIL SPRINGS 1: You must bend the slotted tabs back up out of the way (just push upward with finger). Then hook the coil springs into the slots cut into the sides of the housing. (Fig.3)



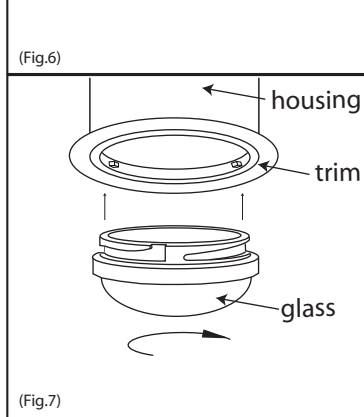
4. COIL SPRINGS 2: Hook the coil springs into the slots cut into the socket plate (using a pencil or small object may be necessary). (Fig.4)



5. SOCKET SUPPORTING TRIMS: Some trims require the socket to be snapped into the trim or reflector. Eyeball, longer-baffle, cover baffle and fully enclosed trims will support the fixture socket in place of the socket plate provided with the housing. Remove the socket plate for these type trim ONLY.



After the direction is selected, tighten the jam screw against inner ring.



Remove the wing nut securing the plate and pull the plate down and out of the housing. Remove the socket from the plate by squeezing the spring clip. The plate should be saved in case future conversion to a baffle trim is necessary. (Fig. 5) Compress the legs of the torsion spring and insert them in the hooks of the bracket. Do one side at a time. Push the trim straight up.

6. INSTALL LAMPS: Select proper lamp (see lamp maximum wattage label in housing). Do not exceed maximum wattage lamp shown for each trim.

7. INSTALL GLASS: Position glass over the bulb and fasten in place. (Fig. 7)