

MINILUX

3-1/2" Series - Contractor Pack

Project	
Notes	
Fixture Type	
Date	

**Complete Unit: New Construction Housing,
Trim and LED lamp
(6 units per Contractor Pack)**

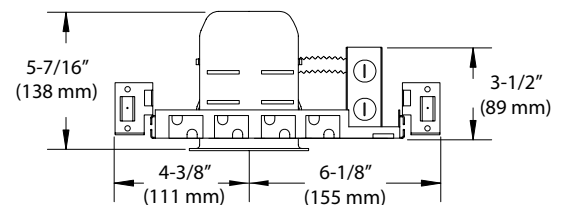
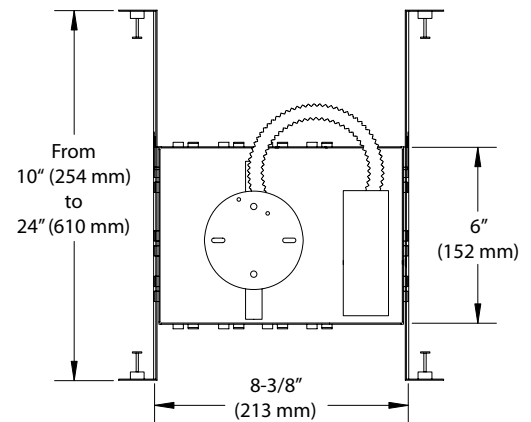


DESCRIPTION

New Construction Housing, can be installed in damp locations, indoors and outdoors. New Construction housings are only available in Contractor Pack of 6 complete units.

HOUSING SPECIFICATIONS

HOUSING DETAILS	MAX 50W 23 gauge galvanized steel (0,030" / 0,76 mm) thick. Below-ceiling accessible.	
MOUNTING	Perfect fit into ceiling. No light leakage. Mounting bars extend from 10" (254 mm) to 24-1/2" (622 mm) to fit in most ceiling structures.	
CEILING FINISH	Cutout Ø 3-5/8" (92 mm)	Thickness Installs in ceilings up to 1-3/8" (35 mm) thick.
VOLTAGE	120 Volts (CAN & USA)	
CERTIFICATIONS	<ul style="list-style-type: none"> • cULus Listed for damp locations E252582 • Energy Star® certified lamp included 	



CONTRAST
LIGHTING

2015-09

1009, rue du Parc Industriel
Lévis (Québec) G6Z 1C5 Canada
Tel.: 1-888-839-4624 Fax: 1-877-839-7057
info@contrastlighting.com
www.contrastlighting.com

© 2015 Contrast Lighting M.L. Inc.
All rights reserved

Contrast Lighting reserves the right to make changes in specifications and/or to discontinue any product at any time without notice or obligation and will not be liable for any consequences resulting from the use of this publication.

MINILUX

3-1/2" Series - Contractor Pack

TRIM SPECIFICATIONS

LIGHT SOURCE **High Brightness GU10 LED**
 Color: Warm White (3,000K)
 500 Lumen output
 CRI: 80 +
 Beam Angle: 40°
 Lifespan: 50,000 hours
 Power Consumption: 7W
 Compatible with most Incandescent, Magnetic Low Voltage (MLV) and Electronic Low Voltage (ELV) dimmers.

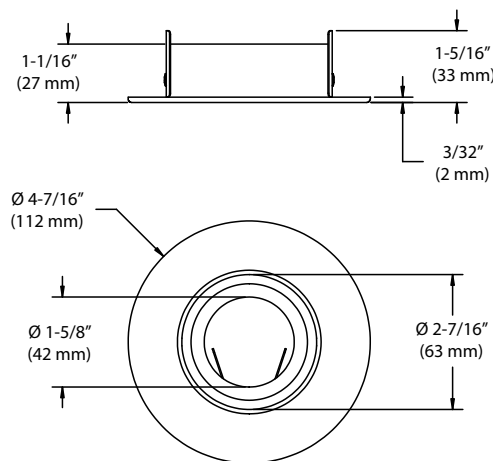
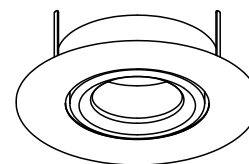
Due to constant evolution of LED lamps and associated dimmers we must test them regularly. We invite you to visit our Web site to consult our dimmer compatibility list: www.contrastlighting.com

TRIM TYPES **GU10**
 Adjustable up to 30° White Trim (-G01)
 Adjustable up to 30° Satin Nickel Trim (-G13)

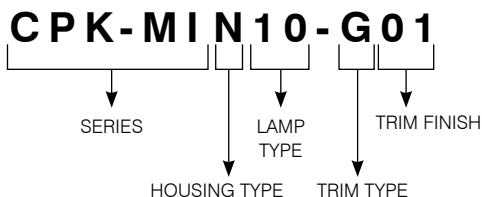
WARRANTY

- Housing and Trim: 1 year
- GU10 lamp, 50,000 hours (5 years)

GU10 Adjustable



CODIFICATION EXAMPLE



ORDERING CODE for Contractor Pack (6 complete units)

SERIES	HOUSING TYPE	LAMP TYPE	TRIM TYPE	TRIM FINISH
CPK-MI	N	10	-G	
CPK-MI	N IC Box	10 GU10	-G Adjustable	01 White 13 Satin Nickel

