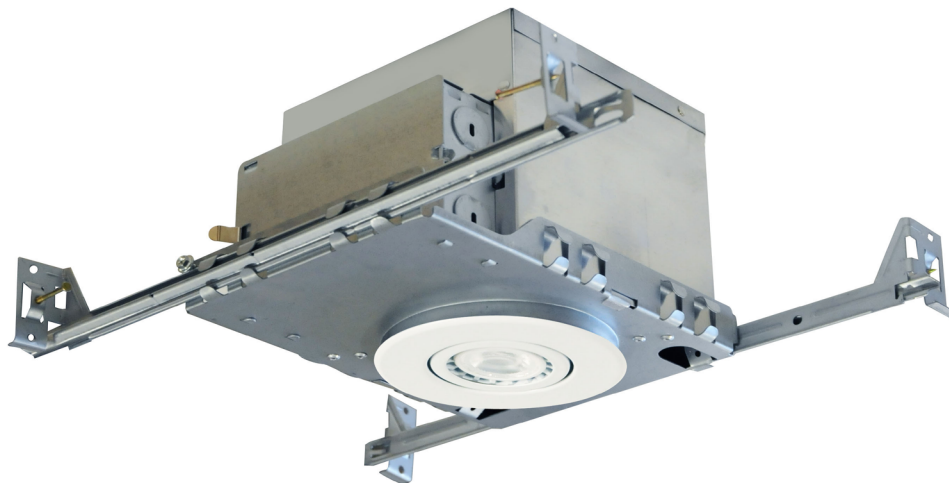


PRILUX

4" Series - Contractor Pack

Project	_____
Notes	_____
Fixture Type	_____
Date	_____

Complete Unit: Insulated Housing, Trim and LED lamp (6 units per Contractor Pack)

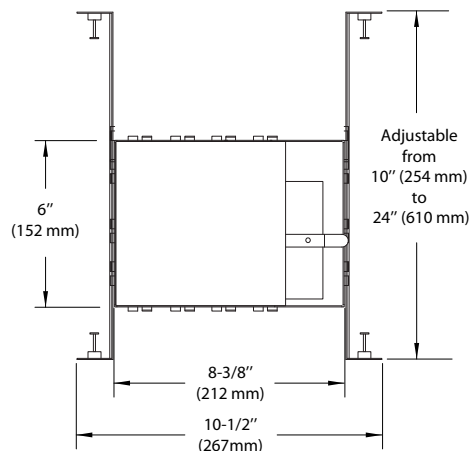
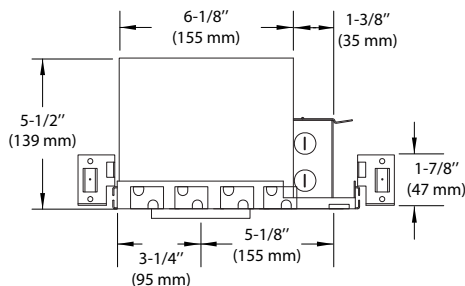


DESCRIPTION

Insulated Housing, Airtight, can be installed in damp locations, indoor and outdoor. Insulated housings are only available in Contractor Pack of 6 complete units.

HOUSING SPECIFICATIONS

HOUSING DETAILS	MAX 50W 23 gauge galvanized steel and aluminum (0,030" / 0,75 mm). Below-ceiling accessible.	
MOUNTING	Perfect fit into ceiling. No light leakage. Mounting bars extend from 10" (254 mm) to 24-1/2" (622 mm) to fit in most ceiling structures.	
CEILING FINISH	Cutout Ø 4-1/4" (107 mm)	Thickness Installs in ceilings up to 1-3/8" (35 mm) thick.
VOLTAGE	120 Volts (CAN & USA)	
CERTIFICATIONS	<ul style="list-style-type: none"> • cULus Listed for damp locations E252582 • Energy Star® certified lamp included • Certified Airtight ASTM E283 	



PRILUX

4" Series - Contractor Pack

TRIM SPECIFICATIONS

LIGHT SOURCE

High Brightness PAR16 LED

Color: Warm White (3,000K)
 500 Lumen output
 CRI: 80 +
 Beam Angle: 40°
 Lifespan: 50,000 hours
 Power Consumption: 7W
 Compatible with most Incandescent, Magnetic Low Voltage (MLV) and Electronic Low Voltage (ELV) dimmers.

High Brightness PAR20 LED

Color: Warm White (3,000K)
 600 Lumen output
 CRI: 80 +
 Beam Angle: 40°
 Lifespan: 50,000 hours
 Power Consumption: 8W
 Compatible with most Incandescent, Magnetic Low Voltage (MLV) and Electronic Low Voltage (ELV) dimmers.

Due to constant evolution of LED lamps and associated dimmers we must test them regularly. We invite you to visit our Web site to consult our dimmer compatibility list: www.contrastlighting.com

TRIM TYPES

PAR16

Adjustable up to 30° White Trim (-G01)
 Adjustable up to 30° Satin Nickel Trim (-G13)

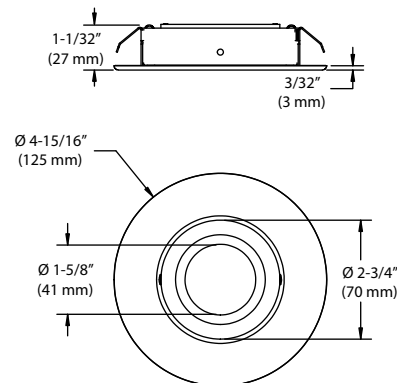
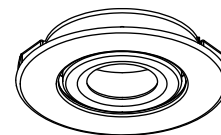
PAR20

Adjustable up to 20° White Trim (-G01)
 Adjustable up to 20° Satin Nickel Trim (-G13)

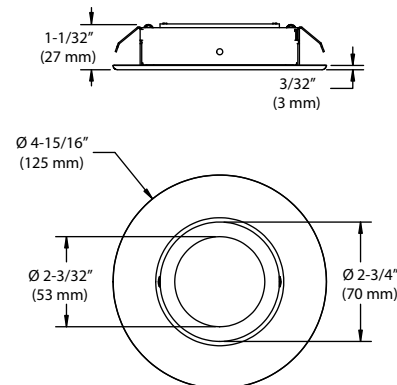
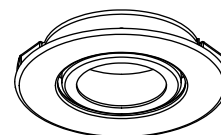
WARRANTY

- Housing and Trims: 1 year
- PAR16 and PAR20 lamps, 50,000 hours (5 years)

PAR16 Adjustable



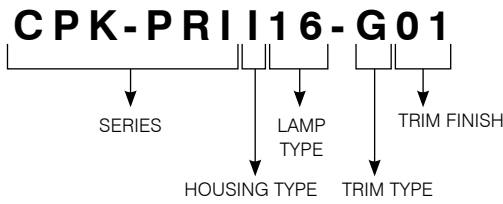
PAR20 Adjustable



PRILUX

4" Series - Contractor Pack

CODIFICATION EXAMPLE



ORDERING CODE for Contractor Pack (6 complete units)

SERIES	HOUSING TYPE	LAMP TYPE	TRIM TYPE	TRIM FINISH
CPK-PRI	I			
CPK-PRI	I IC Box	16 PAR16	-G Adjustable	01 White 13 Satin Nickel
		20 PAR20	-G Adjustable	01 White 13 Satin Nickel



CONTRAST

L I G H T I N G

2015-09

1009, rue du Parc Industriel
Lévis (Québec) G6Z 1C5 Canada
Tel.: 1-888-839-4624 Fax: 1-877-839-7057
info@contrastlighting.com
www.contrastlighting.com

© 2015 Contrast Lighting M.L. Inc.
All rights reserved

Contrast Lighting reserves the right to make changes in specifications and/or to discontinue any product at any time without notice or obligation and will not be liable for any consequences resulting from the use of this publication.