

D2100

4" Series

Low Profile Square Adjustable Trim

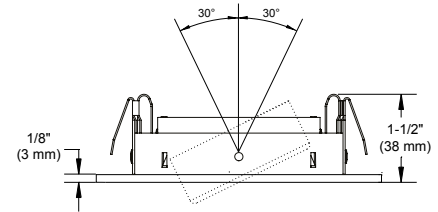
Project	
Notes	
Fixture Type	
Date	

SPECIFICATIONS

TRIM	Powder coat painted or plated die-formed steel. Different finishes available. Painted finishes available with Marine Grade option.
LAMPS (maximum wattage)	PAR20 LED 10W PAR20 35-50W
	If you want to use the dimming option and you use a PAR20 LED lamp, please refer regularly to the lamp manufacturer compatibility list.
	The PAR20 LED lamps, although functional with this product, have variable formats, which can result in a reduction of the maximum adjustable angle or in a more or less good hold in the trim.
CEILING CUTOUT	ø 4-1/4" (108 mm)
CERTIFICATION	<ul style="list-style-type: none"> cULus E343977 for damp locations (for PAR20 LED lamps) cULus E174023 for damp locations (for PAR20 halogen lamps)
WARRANTY	1 year for standard finishes, 2 years on "Marine Grade" finishes.

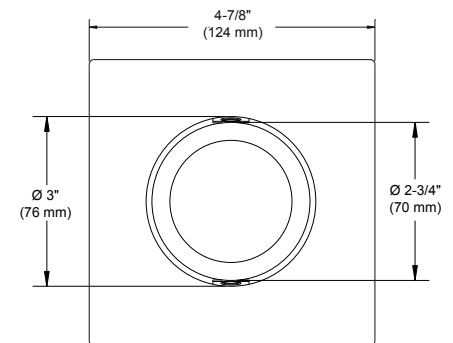


D2100-04BR (illustrated)
(Lamp not included)



COMPATIBLE HOUSINGS

	IC Air Tight Remodel Housing	IC Air Tight New Construction Housing	
LED	PAR20 LED 10W CA2000-LED	PAR20 LED 10W NW2000CA-LED	
	Remodel Housing	New Construction Housing	Insulated Housing
HALOGENS	PAR20 50W CA2000U	PAR20 50W NW2000CAU	PAR20 50W ISCA2000D



CONTRASTE

2019-01
Revision 3

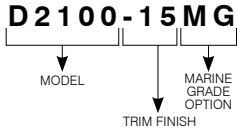
PRINTED IN CANADA

1009, rue du Parc Industriel
Lévis (Québec) G6Z 1C5 Canada
Tel.: 1-888-839-4624
Fax.: 1-877-839-7057
contrastelighting.com
info@contrastelighting.com

© 2019 Contraste Lighting M.L. Inc.
All rights reserved

Contrast Lighting M.L. Inc. reserves the right to make changes in specifications and/or to discontinue any product at any time without notice or obligation and will not be liable for any consequences resulting from the use of this publication.

D2100

4" Series**CODIFICATION EXAMPLE****ORDERING CODES**

MODEL	TRIM FINISHES	MARINE GRADE
D2100		
D2100	-01 White	MG (optional)
	-02 Black	May be applied on finishes:
	-03P 24K Gold Plated	-01, -02, -05, -06, -11 and -15
	-04P Chrome	
	-04BR Brushed Chrome	
	-05 Architectural Bronze	
	-06 Antique Copper	
	-11 Matte White	
	-12BR Brushed Nickel	
	-13 Satin Nickel	
	-15 Metallic Grey	

MARINE GRADE

2-year warranty on finish

This option increases the painted finishes resistance by reducing and delaying apparition and propagation of oxidation (ex: rust and others).

MARINE GRADE treatment is recommended for damp to wet locations.

Unless otherwise indicated, trims are for interior use. Also suitable for cold and exterior locations, as in soffits, where fixtures are not subject to direct rain or snow exposure.

WARNING – This option is not suitable for salt environments and/or highly corrosive areas such as soffits in coastal regions and natatoriums. Such usage would void warranty on the product.



CONTRASTE

2019-01
Revision 3

PRINTED IN CANADA

1009, rue du Parc Industriel
Lévis (Québec) G6Z 1C5 Canada
Tel.: 1-888-839-4624
Fax.: 1-877-839-7057
contrastelighting.com
info@contrastelighting.com

© 2019 Contraste Lighting M.L. Inc.
All rights reserved

Contrast Lighting M.L. Inc. reserves the right to make changes in specifications and/or to discontinue any product at any time without notice or obligation and will not be liable for any consequences resulting from the use of this publication.