

# MINILUX

3-1/2" Series

Project	
Notes	
Fixture Type	
Date	

## Complete Unit: IC Air Tight Remodeler, Trim and LED Lamp



### DESCRIPTION

IC (except polyurethane) and Air Tight Remodeler, ASTM E283 certified can be installed in damp or wet (shower trim only) locations, indoor and outdoor.

### HOUSING SPECIFICATIONS

#### HOUSING DETAILS

**PAR16 LED Lamp** MAX 6.5W

**GU10 LED Lamp** MAX 7.5W

Flexible channel wire bracket made of steel, bending up to 45° vertically for ease of installation in confined spaces

0,051" (1,3 mm) thickness galvanized steel  
Below-ceiling accessible

#### MOUNTING

Perfect fit to ceiling. No light leakage  
Requires a 6" (152 mm) clearance beyond the ceiling level.

#### CEILING FINISH

##### Cutout

Ø 3-5/8" (92 mm)

##### Thickness

Installs to ceilings up to 7/8" (22 mm) thick.

Approved for use in insulated ceilings in direct contact with the insulating material (except polyurethane).

#### THERMAL PROTECTOR

TC 194°F (90°C)

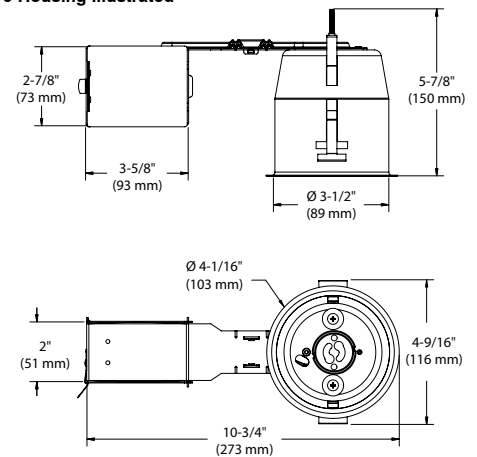
#### VOLTAGE

120 Volts

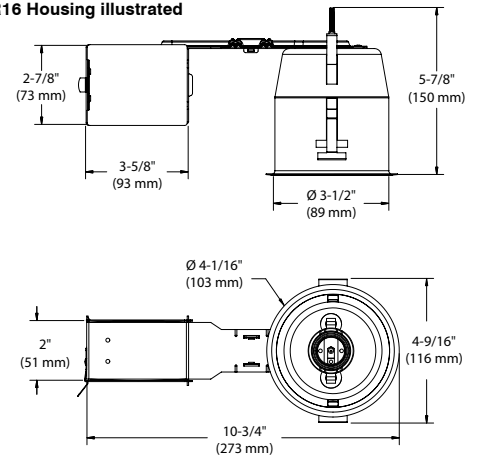
#### CERTIFICATIONS

- cULus Listed for damp or wet (shower trim only) locations **E174023**
- Energy Star® certified lamp included
- Certified Air Tight ASTM E283

\*GU10 Housing illustrated



\*PAR16 Housing illustrated

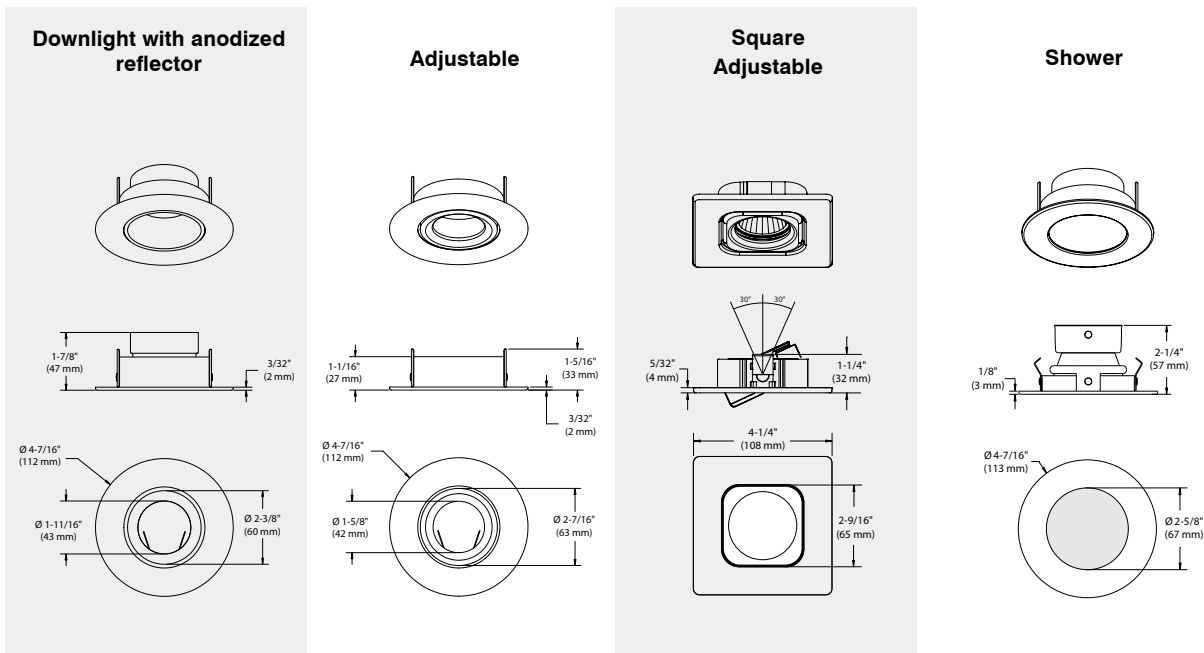


# MINILUX

## 3-1/2" Series

### TRIM SPECIFICATIONS

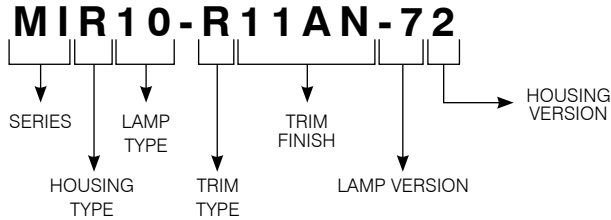
LIGHT SOURCE	<b>PAR16 LED High Brightness</b> Color: Warm White (3,000K) 500 lumen output CRI: 90 + Beam Angle: 40° Lifespan: 50,000 hours Power Consumption: 6.5W Compatible with most incandescent, Magnetic Low Voltage (MLV) and Electronic Low Voltage (ELV) dimmers.	<b>GU10 LED High Brightness</b> Color: Warm White (3,000K) 500 lumen output CRI: 90 + Beam Angle: 40° Lifespan: 50,000 hours Power Consumption: 7.5W Compatible with most incandescent, Magnetic Low Voltage (MLV) and Electronic Low Voltage (ELV) dimmers.
	<p><b>Due to constant evolution of LED lamps and associated dimmers we must test them regularly.</b>  <b>We invite you to consult frequently our Web site to find our dimmer compatibility list: <a href="http://www.contrastlighting.com">www.contrastlighting.com</a></b></p>	
TRIM TYPES	Round Adjustable Trim up to 20° for PAR16 LED and GU10 LED in White <b>(-G01)</b> , Matte White <b>(-G11)</b> , Satin Nickel <b>(-G13)</b> and Matte Black <b>(-G22)</b>	
	Square Adjustable Trim up to 20° for GU10 LED and PAR16 LED in White <b>(-Q01)</b> , Matte White <b>(-Q11)</b> and Satin Nickel <b>(-Q13)</b>	
	Downlight Trim with anodized reflector for GU10 LED and PAR16 LED in White <b>(-R01AN)</b> , Matte White <b>(-R11AN)</b> and Satin Nickel <b>(-R13AN)</b>	
	Shower Trim for GU10 LED and PAR16 LED in White <b>(-S01)</b> , Matte White <b>(-S11)</b> and Satin Nickel <b>(-S13)</b>	
WARRANTY	<ul style="list-style-type: none"> <li>• Housing and Trims: 1 year</li> <li>• PAR16 and GU10 Lamps 50,000 hours (5 years)</li> </ul>	



# MINILUX

## 3-1/2" Series

### CODIFICATION EXAMPLE



### ORDERING CODE for Complete Unit

SERIES	HOUSING TYPE	LAMP TYPE	TRIM TYPE	TRIM FINISH	LAMP VERSION	HOUSING VERSION
<b>MI</b>	<b>R</b>				<b>-7</b>	<b>2</b>
<b>MI</b>	<b>R</b>	IC Remodel	<b>10</b> GU10 <b>16</b> PAR16	<b>-G</b> Adjustable	<b>01</b> White <b>11</b> Matte White <b>13</b> Satin Nickel <b>22</b> Matte Black	<b>-7</b> Generation 7 <b>2</b> Generation 2
			<b>-R</b> Downlight with Anodized Reflector	<b>01AN</b> White <b>11AN</b> Matte White <b>13AN</b> Satin Nickel		
			<b>-S</b> Shower	<b>01</b> White <b>11</b> Matte White <b>13</b> Satin Nickel		
			<b>-Q</b> Square Adjustable	<b>01</b> White <b>11</b> Matte White <b>13</b> Satin Nickel		

**Note:** For Contractor Pack (6 Complete Units), add **CPK** at the beginning of the ordering code.

**Ex.:** **CPKMIR10-G11-72 (GU10)**  
**CPKMIR16-G01-72 (PAR16)**



# CONTRASTE

1009, rue du Parc Industriel  
Lévis (Québec) G6Z 1C5 Canada  
Tel.: 1-888-839-4624 Fax: 1-877-839-7057  
info@contrastlighting.com  
www.contrastlighting.com

© 2016 Contrast Lighting M.L. Inc.  
All rights reserved

Contrast Lighting reserves the right to make changes in specifications and/or to discontinue any product at any time without notice or obligation and will not