

PROG40

4" Profilux Series

Complete Unit: LED Round Adjustable Trim including the Junction Box and Driver

Project _____

Notes _____

Fixture Type _____

Date _____

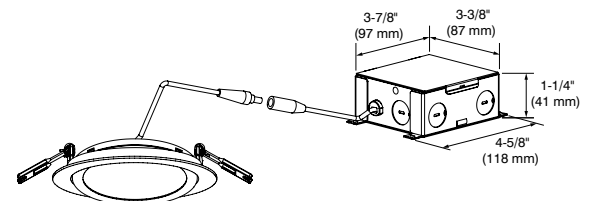
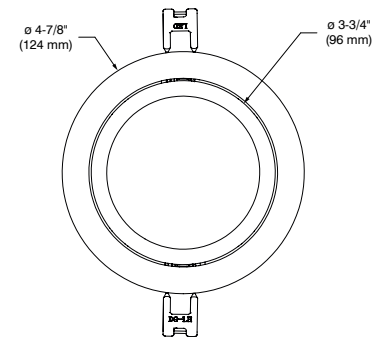
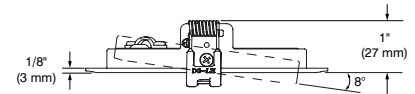


PROG40-22 (illustrated)

Recessed ultra-thin LED trim for insulated ceiling and suitable for damp locations. The thin profile with spring clips allows for quick and easy installation. Ideal for confined spaces.

SPECIFICATIONS

LED	LED Module Epistar 2835 L70 @ 50,000 hours Color Temperature and lumens: 2700K: 600 lm 3000K: 700 lm 4000K: 800 lm CRI: 90+ Power Factor: >85% Voltage: 120 VAC Power: 10 Watts
CEILING CUTOUT	ø 4-1/4" (108 mm) MIN ø 4-1/4" (108 mm) / MAX ø 4-1/2" (114 mm)
BEAM	Very Wide Flood → 110°
WIRE TYPE	18" FT6 plenum rated with twist-and-lock connector
OPERATING TEMPERATURE	-20°C to 40°C
CERTIFICATION	<ul style="list-style-type: none"> • Certified ETL for damp locations and insulated ceilings (type IC) • Plenum rated (FT6) • Certified Energy Star®
WARRANTY	5-year warranty



JUNCTION BOX

CONTRASTE

1009, rue du Parc Industriel
Lévis (Québec) G6Z 1C5 Canada
Tel.: 1-888-839-4624
Fax.: 1-877-839-7057
contrastlighting.com
info@contrastlighting.com

© 2019 Contrast Lighting M.L. Inc.
All rights reserved

Contrast Lighting M.L. Inc. reserves the right to make changes in specifications and/or to discontinue any product at any time without notice or obligation and will not be liable for any consequences resulting from the use of this publication.

PROG40

4" Profilux Series

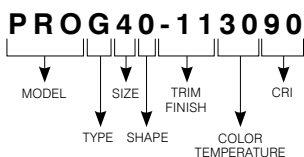
Complete Unit: LED Round Adjustable Trim including the Junction Box and Driver



SPECIFICATIONS (CON'T)

TRIM	Thin profile 1-1/8" (28 mm) Matte White (-11) , Matte Black (-22) or Satin Nickel (-13) available. Packaged with a plastic protection film on the bottom face to ensure ease of installation.
MOUNTING	The space required beyond ceiling material is 1-1/2" (38 mm). The maximal thickness of the ceiling is 1" (25 mm). Beyond this thickness, springs will apply less pressure between the trim and the ceiling. The base of the trim will thus have some difficulty to sit flush with the ceiling.
JUNCTION BOX	10 cubic inches junction box with independent auxiliary connection and keyholes for fixing to the structure. Includes driver with factory assembled triple push-in connectors. Also provided with 1 complimentary 1/2" (13 mm) strain relief connector for non-metallic sheathed cable as well as 2 screws and anchors for fixation.
DIMMING	Compatible with Electronic Low Voltage (ELV) and Incandescent (TRIAC) dimmers. We invite you to consult frequently our Web site to find our suggested compatible dimmers list: www.contrastlighting.com
ACCESSORIES	<ul style="list-style-type: none"> • 6' (2 m) and 20' (6 m) cables (see ordering code) • Mounting Plates (see ordering code) • Goof Rings (see ordering code)

CODIFICATION EXAMPLE



ORDERING CODES

MODEL	TYPE	SIZE	SHAPE	TRIM FINISHES	COLOR TEMPERATURES
PRO	G	4	0		
PRO Profilux	G Adjustable	4 4 inches	0 Round	-11 Matte White -13 Satin Nickel -22 Matte Black	2790 2,700K (90+ CRI) — 600 lm 3090 3,000K (90+ CRI) — 700 lm 4090 4,000K (90+ CRI) — 800 lm

CONTRASTE

1009, rue du Parc Industriel
Lévis (Québec) G6Z 1C5 Canada
Tel.: 1-888-839-4624
Fax.: 1-877-839-7057
contrastlighting.com
info@contrastlighting.com

© 2019 Contrast Lighting M.L. Inc.
All rights reserved

Contrast Lighting M.L. Inc. reserves the right to make changes in specifications and/or to discontinue any product at any time without notice or obligation and will not be liable for any consequences resulting from the use of this publication.

PROG40

4" Profilux Series

Complete Unit: LED Round Adjustable Trim including the Junction Box and Driver

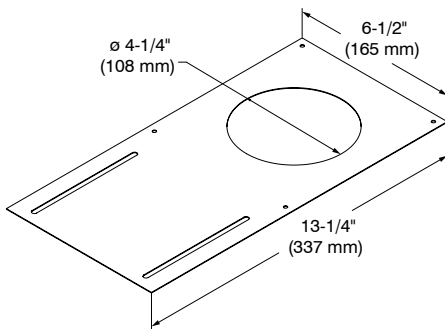


ACCESSORIES

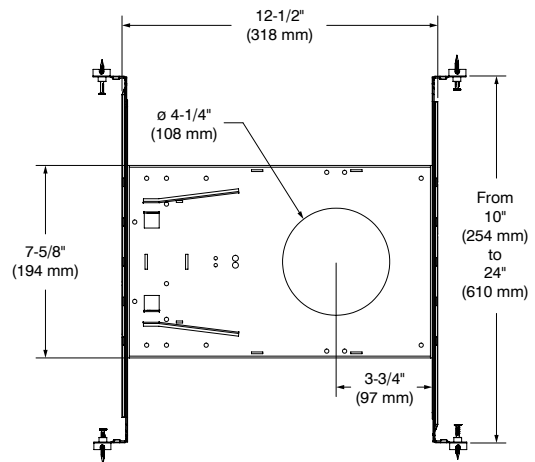
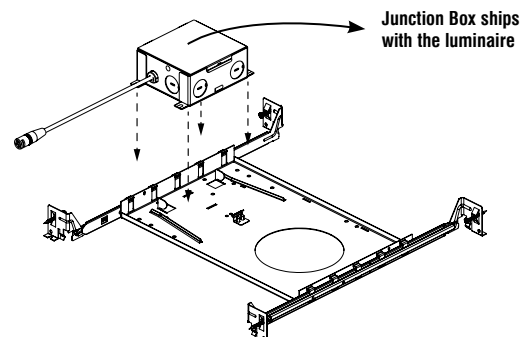
MOUNTING PLATES

Code: P4RN (without bars)
P4RNW-SC (with bars)

P4RN



P4RNW-SC



GOOF RINGS

Code: RR4-11 (Matte White)
RR4-13 (Satin Nickel)
RR4-22 (Matte Black)

Outside diameter: \varnothing 6-1/8" (156 mm)
 Inside diameter: \varnothing 4-1/4" (108 mm)

CABLES

Code: CBL06-FT6-2TL (6' (2 m))
CBL20-FT6-2TL (20' (6 m))

CONTRASTE

1009, rue du Parc Industriel
 Lévis (Québec) G6Z 1C5 Canada
 Tel.: 1-888-839-4624
 Fax.: 1-877-839-7057
 contrastlighting.com
 info@contrastlighting.com

© 2019 Contrast Lighting M.L. Inc.
 All rights reserved

Contrast Lighting M.L. Inc. reserves the right to make changes in specifications and/or to discontinue any product at any time without notice or obligation and will not be liable for any consequences resulting from the use of this publication.