

- Use an open-end wrench and hex wrench to loosen the adjusting screw for adjusting the angle (Figure 9)
- According to the need, carry out the projection angle adjustment, angle adjustment range (Figure 10);

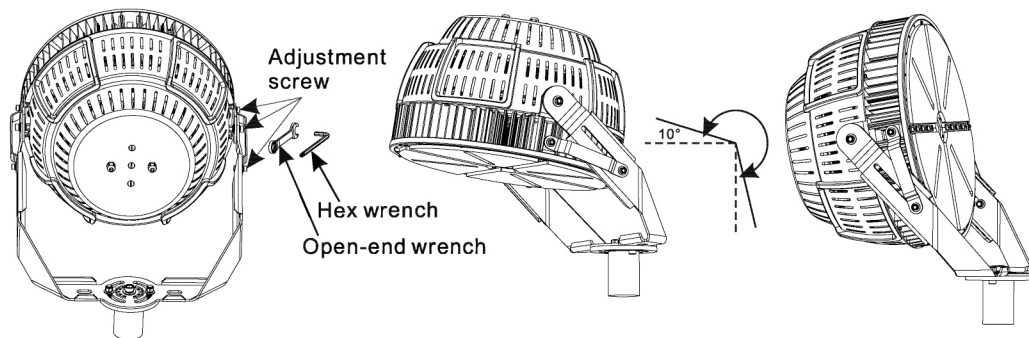


Figure 9

Figure 10

- Complete the projection angle adjustment and lock the adjustment screw;
- Fix the light barrier to the luminaire with a screwdriver as required (figure 11)

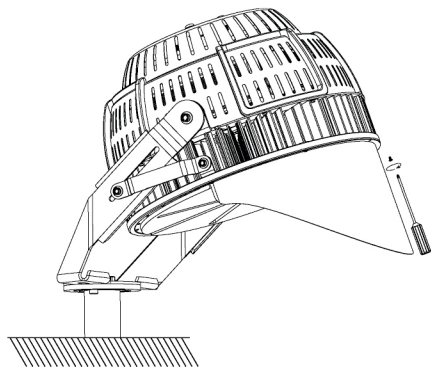


Figure 11

- According to the previous wiring diagram and select one method for wiring.

MIN 75 °C SUPPLY CONDUCTOR
THIS PRODUCT MUST BE INSTALLED IN ACCORDANCE WITH THE APPLICABLE
INSTALLATION CODE BY A PERSON FAMILIAR WITH THE CONSTRUCTION AND
OPERATION OF THE PRODUCT AND THE HAZARDS INVOLVED.
ALL COMPONENTS IN THE LUMINAIRE SHALL NOT BE REPLACED OR SERVICED.
LES FILS D'ALIMENTATION 75 °C

CE PRODUIT DOIT ÊTRE INSTALLÉ SELON LE CODE D'INSTALLATION PERTINENT,
PAR UNE PERSONNE QUI CONNAÎT BIEN LE PRODUIT ET SON FONCTIONNEMENT
AINSI QUE LES RISQUES INHÉRENTS.

CSC LED Sports Stadium Light Installation Instructions

Applications:

For stadiums and large squares lighting, can also be used for shipyards, airports, docks and other high pole installation application; can be used for long-distance small-angle projection and large architectural outline lighting.

Cautions:

- The product should be installed, inspected and maintained by a qualified electrician in accordance with local laws and regulations;
- Please turn off the power before installation or maintenance;
- Ensure that the voltage used is the voltage within the product identification range;
- Use wires that comply with UL (or other local standards) for wiring. The voltage AC100-277V should be wired with not less than 14 AWG, and the voltage AC277-480V should be wire with not less than 16 AWG;
- Do not install in a hazardous environment. The ambient temperature must not exceed the rated operating temperature of the product;
- Do not install the product when raining to avoid danger of electric shock and avoid failure;
- Please use with listed waterproof strain relief bushing when connecting the power supply cord to outlet box.
- Do not connect to a generator.

Note:

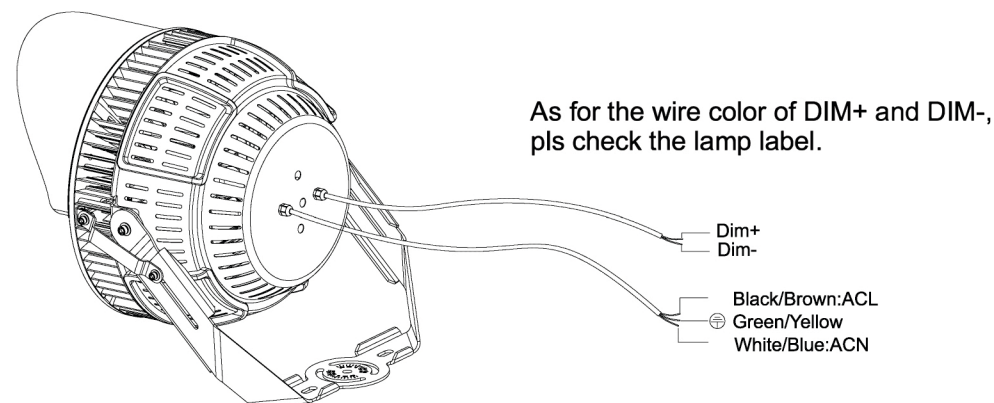
This product has dimming function.

This product is compatible with the following three types of dimming methods:

- 1-10VDC dimming.
- PWM dimming.
- Resistor dimming.

According to the user's needs to choose the wiring, dimming method and installation.

Wiring diagram:



Installation Method One (Pole Mounting):

1. Mark the hole distance S1 shown in the product to be installed (Figure 1);
2. Drill two holes of distance S1 on the mounting bar (Figure 2).

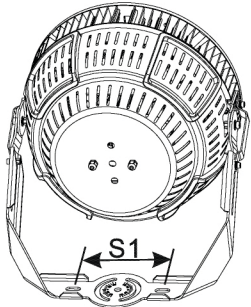


Figure 1

POWER	400/500W	600/750W	1000/1200W
S1	185mm	220mm	220mm

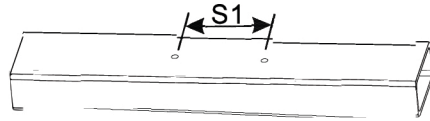


Figure 2

3. Install the luminaire on the crossbar and secure it with nuts, spring washers and flat washers (Figure 3).

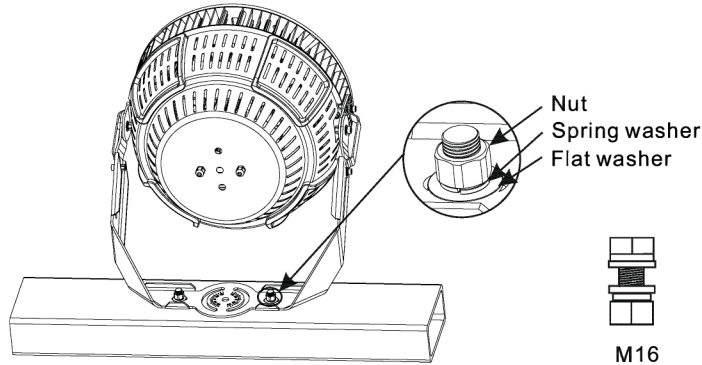


Figure 3

4. Use an open-end wrench and hex wrench to loosen the adjustment screw used to adjust the angle (Figure 4).

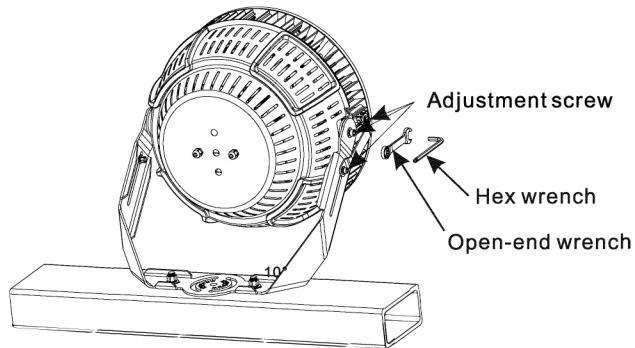


Figure 4

5. According to the need, adjust the projection angle, angle adjustment range (Figure 5);

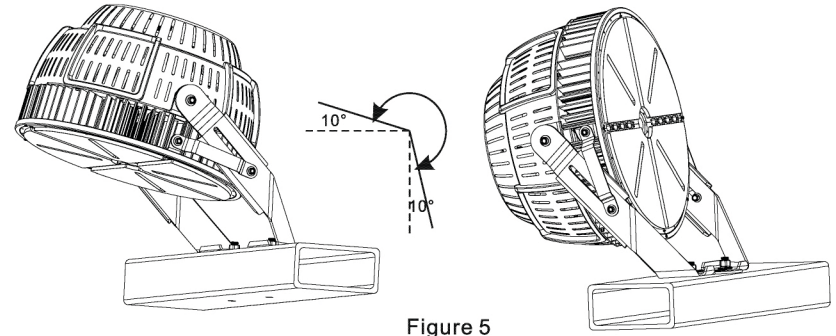


Figure 5

6. Complete the projection angle adjustment and lock the adjustment screw;
7. Fix the light shield to the luminaire with a screwdriver as required (Figure. 6).

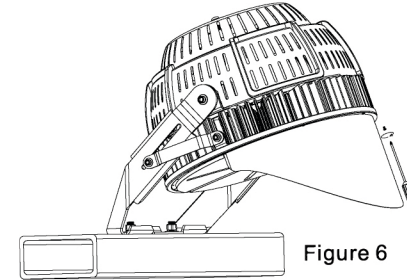


Figure 6

8. According to the previous wiring diagram and select one desired method for wiring.

Installation method II (disc holder installation):

1. Fix the product on the disc holder and lock the screws, no need too tight. (Figure 7);
2. According to the need to adjust the lighting direction, can be 360 degrees rotation adjustment, tightened with screws when the adjustment is completed (Figure 8);

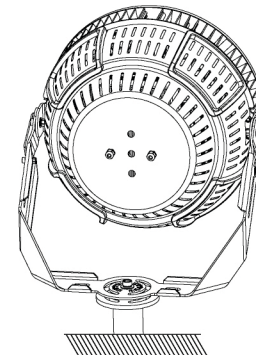


Figure 7

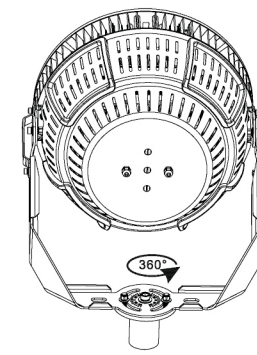


Figure 8

