

FL05 Flood / Area Light

60W/80W/100W | 3CCT | 120-347V

FLEX
FL05 FLOOD / AREA LIGHTS

Flood / Area lighting has never been easier with all the features you will ever need in one sleek, attractive package. Stocked in Black and Bronze for quick shipping!

PRODUCT CODES: FL05-100W-3P-3CCT-UD-BK, FL05-100W-3P-3CCT-UD-BZ

Mounting Sold Separately
see reverse for mounting options

Available in Black (BK)
or Bronze (BZ) Finishes

Power Selectable
60W / 80W / 100W

Colour Selectable
3000K / 4000K / 5000K

120-347V Universal Driver
0-10V dimming

Rugged Die Cast
Aluminum Housing

Photocell and Sensor Compatible

Easy Field Interchangeable
Optics (Sold Separately)



TECHNICAL DATA



LIGHT SPECIFICATIONS

Efficacy	128.33 lm/W
CCT	3000K/4000K/5000K
CRI	84
Distribution	Type III
Dimmable	0-10V
L70 Life	50,000 hrs
Warranty	10-year

LUMEN OUTPUT			
	3000K	4000K	5000K
60W	8825 lm	9166 lm	9216 lm
80W	11228 lm	11913 lm	11748 lm
100W	13306 lm	14865 lm	14483 lm

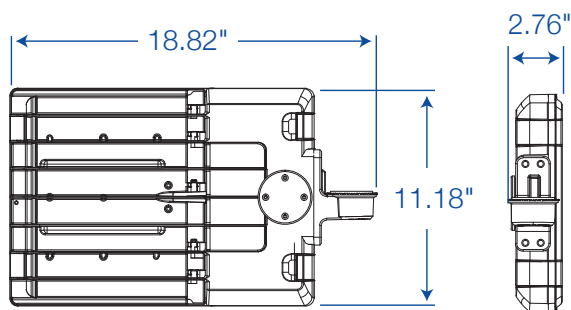
APPROVALS & LISTINGS

cUL	E495046
DLC Premium	S-2YSG04, S-1MIKA7

DIMENSIONS AND WEIGHTS

Fixture Weight	10.12 lbs
Fixture Dimensions	18.8 x 2.8 x 11.2 in
Carton Qty	1
Carton Weight	11.88 lbs
Carton Dimensions	20.47 x 4.84 x 13.15 in

DIMENSIONAL DRAWINGS (IN)



ELECTRICAL

Wattage	60W/80W/100W
Voltage	120-347V
Current	1A
Surge Protection	10kV
Auxiliary Output	12V
Power Factor	0.9
THD	15%
Operating Temp	-40 to 45°C

CONSTRUCTION

Cord Whip	78.74"
Housing	Die-Cast Aluminum
Lens	Polycarbonate
Finish	Powder Coated
Finish Colour	Black or Bronze
IP Rating	IP65

ACCESSORIES* (Sold Separately)

Slip Fitter	FL-SF01-XX
Fixed Mount	FL-FM01-XX
Multi Mount	FL-MM01-XX
Pole Mount	FL-PM01-XX
Trunnion Mount	FL-TR01-XX
Yoke Mount	FL-YM01-SM-XX
Microwave Motion Sensor	MS04-MW-TW-DC
PIR Motion Sensor	MS01-PIR-TW-DC
Motion Sensor Remote	MS04-RC
Type II Lens	FL-TYPE-II-SM
Type IV Lens	FL-TYPE-IV-SM
Type V Lens	FL-TYPE-V-SM
Visor	FL-VISOR01-SM-XX
Photocell (120-277V)	JL-205LV
Photocell (347V)	JL-207E
Photocell Receptacle**	JL-200
Shorting Cap	JL-208

*Where XX Denotes Finish Colour - BK or BZ

**Photocell Receptacle is REQUIRED for use with Photocell

MOUNTING OPTIONS (SOLD SEPARATELY)



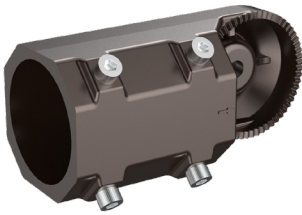
Trunnion Mount

FL-TR01-BK
FL-TR01-BZ



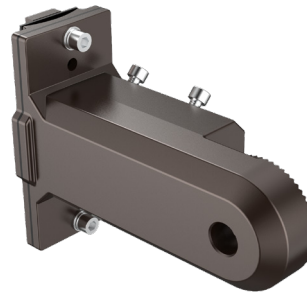
Fixed Mount

FL-FM01-BK
FL-FM01-BZ



Slip Fitter

FL-SF01-BK
FL-SF01-BZ



Multi Mount

FL-MM01-BK
FL-MM01-BZ



Yoke Mount

FL-YM01-SM-BK
FL-YM01-SM-BZ



Pole Mount

FL-PM01-BK
FL-PM01-BZ

*Where XX Denotes Finish Colour - BK or BZ



FL05 Flood Light pictured
without mount



FL05 Flood Light pictured
with optional **Trunnion Mount**

HEAD OFFICE: 8 - 540 Jamieson Pkwy, Cambridge, ON, N3C 0G5 | orders@csc-led.com | (519) 880 - 9833