

LHB04 Linear High Bays

Power Selectable | Colour Selectable | 120-347V

The successor to our best-selling LHB03 Linear High Bays!

Ideal for warehouses, factories, workshops, and more

Energy efficient replacement for traditional fluorescent fixtures and HID high bays



Power Selectable

70W / 90W / 110W

Colour Selectable

3500K / 4000K / 5000K

Complete with 10'
Cord Whip

0-10V Dimmable



Centre Knockout Allows
for Easy Installation of an
Optional Motion Sensor

(sold separately)

Newly Designed,
Shatterproof
Polycarbonate Optics

meet/exceed DLC 5.1
glare standards

Strong Die Cast
Housing

and reduced size for
easy installation

*3 ft Chain and Mounting Hooks Included

TECHNICAL DATA



LIGHT SPECIFICATIONS

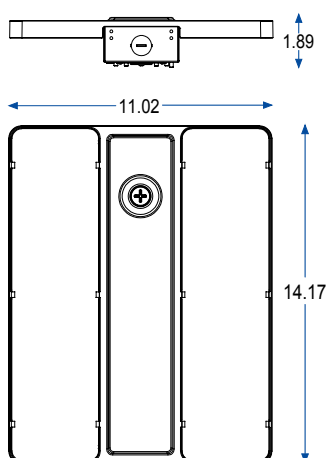
Efficacy	134 lm/W
CCT	3500K/4000K/5000K
CRI	83
Beam Angle	90°
Dimmable	0-10V
L70 Life	50,000 hrs
Warranty	5-year

LUMEN OUTPUT			
	3500K	4000K	5000K
70W	10318 lm	10742 lm	10616 lm
90W	12870 lm	13580 lm	13265 lm
110W	14929 lm	16113 lm	15285 lm

DIMENSIONS AND WEIGHTS

Fixture Weight	4.2 lbs
Fixture Dimensions	14.17" x 11.02" x 1.89"
Carton Qty	1
Carton Weight	5.7 lbs
Carton Dimensions	15" x 11.8" x 3.4"

DIMENSIONAL DRAWINGS



ELECTRICAL

Wattage	70W/90W/110W
Voltage	120-347V
Current	1.20A
Surge Protection	6kV
Auxiliary Output	12V
Power Factor	0.9
THD	15%
Operating Temp	-40 to 50°C

CONSTRUCTION

Cord Whip	10'
Housing	Die Cast Aluminum & Steel
Lens	Polycarbonate
Finish	Powder Coated
Finish Colour	White
IP Rating	IP20

ACCESSORIES (Ordered Separately)

Pendant Mount	LHB04-BKT
Surface Mount	LHB04-SK
Microwave Motion Sensor	MS04-MW-TW-DC
Infrared Motion Sensor	MS01-PIR-TW-DC
Remote Control	HB01R
Wire Guard (85-150W)	LHB04-WG-SM

APPROVALS & LISTINGS

cUL	E482965
DLC Premium	S-7EFI9Z