

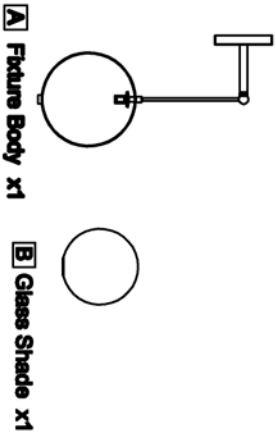
Assembly Instruction Sheet #IS-1153W9 For Style 1153W9

Tools Required: Flathead screwdriver, Phillips screwdriver, pliers, wire cutters, wire strippers, electrical tape, safety glasses.
Light Source: (1) SUGGESTED LED G9 BALLS MAX 2W (Not Include).
Preparation Time: 10-20 minutes
Preparation: Identify and inspect all parts before beginning installation. Check package content list and diagrams below to be sure all parts are present. If any parts are missing or damaged, do not attempt to assemble, install, or operate the fixture. Contact customer service for replacement parts.

⚠ Warnings and Cautions

Turn off electricity at circuit breaker or main fuse box before installation. Consult a licensed electrician if in doubt. These instructions are provided for your safety. It is very important you read them completely before installing the fixture. We strongly recommend that a licensed, professional electrician perform the installation. Disconnect fixture from power source before replacing bulbs. Make sure bulbs are given sufficient time to cool before removal.

Package Contents



A Fixture Body x1 **B** Glass Shade x1

Hardware Contents

PART	DESCRIPTION	QUANTITY
AA	Screw	2pcs
BB	Washer	3pcs
CC	Outlet Box Screw	2pcs
DD	Mounting Screw	2pcs
EE	Crossbar	1pcs

STEP 1 - Attach Mounting Screws, Lock Washers and Hex Nuts to Crossbar.
A. Line up a set of holes on the Crossbar (EE) and Holes on the ceiling canopy. Thread Mounting Screws (DD) into the holes on the Crossbar (EE). Pass Lock Washers and Thread Hex Nuts onto the Mounting Screws (DD). Hand tighten until snug.

Figure 1

STEP 2 - Attach Crossbar to Outlet Box.
A. Pass the supply wires through the Crossbar (EE). Attach the Crossbar (EE) to the Outlet Box (CC) with the head of the Green Ground Screw feeding you. Secure it with Outlet Box Screws (not included). Tighten until snug.

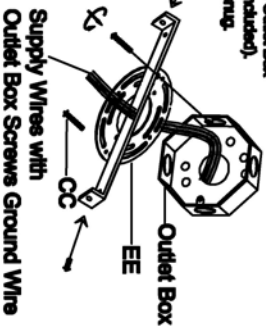


Figure 2

STEP 3 - Fit Ceiling Canopy to Crossbar Assembly
A. Fit the ceiling canopy to mounting screws (DD) and secure with screw (AA). Note: The ceiling canopy should be snug against the ceiling and the screw (AA). If not, adjust the length of the Mounting Screws (DD) by unscrewing the Hex Nut and Lock Washer and then screwing Mounting Screws (DD) in or out of the Crossbar (EE) until the correct length is achieved. Once the ceiling canopy is secure, remove the screw (AA) and ceiling canopy and proceed to Step 4.

Figure 3

STEP 4 - Wire Connections
A. Use standard wire connectors (not included) to make all wire connections. Twist connectors until wires are tightly joined together. Wrap each connection with approved electrical tape and carefully strip all the connected wires into the Outlet Box.

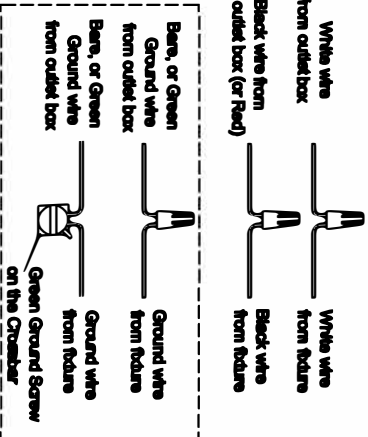


Figure 4

STEP 5 - Install Ceiling Canopy to Ceiling
A. Carefully tuck all wires into the outlet box and position the ceiling canopy of the Fixture Body (A) over the outlet box. Align the holes in the ceiling canopy with the Mounting Screws (DD). Secure with Screw (AA) and hand tighten until snug.

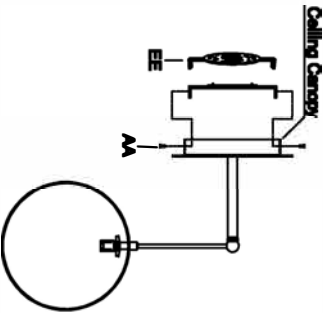


Figure 5

STEP 6 - Install Bulbs and Glass Shade .
A. Install bulbs into sockets and screw snug into place .
B. Screw up the Glass Shade with the socket. (Be careful the Glass Shade is easy to slip)

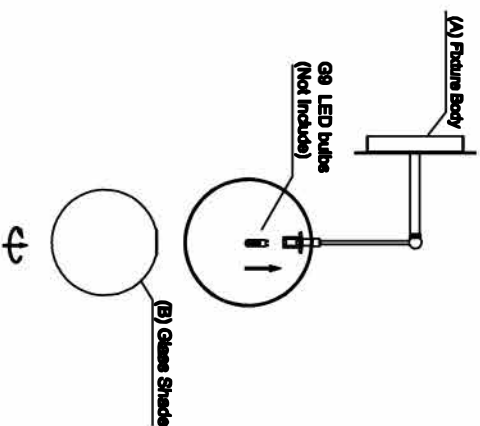


Figure 6