

# Assembly Instruction Sheet #IS-1178P22

## For Style 1178P22

**Tools Required:** Flathead screwdriver, Phillips screwdriver, pliers, wire cutters, wire strippers, electrical tape, safety glasses.

**Light Source:** (6) G9 Candelabra Base Bulbs 40W Maximum(Not Include).

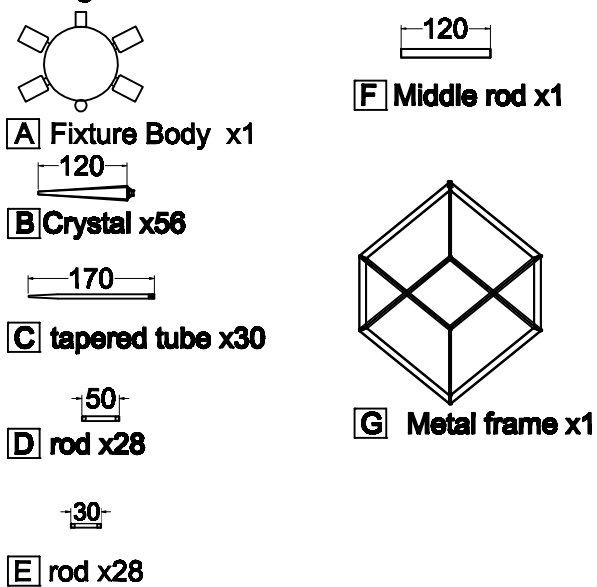
**Estimated Assembly Time:** 20-30 minutes

**Preparation:** Identify and inspect all parts before beginning installation. Check package content list and diagrams below to be sure all parts are present. If any parts are missing or damaged, do not attempt to assemble, install, or operate the fixture. Contact customer service for replacement parts.

### ⚠ Warnings and Cautions

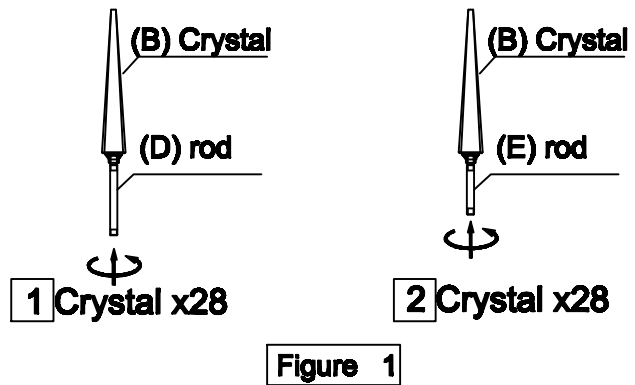
Turn off electricity at circuit breaker or main fuse box before installation. Consult a licensed electrician if in doubt. These instructions are provided for your safety. It is very important you read them completely before installing the fixture. We strongly recommend that a licensed, professional electrician perform the installation. Disconnect fixture from power source before replacing bulbs. Make sure bulbs are given sufficient time to cool before removal.

### Package Contents



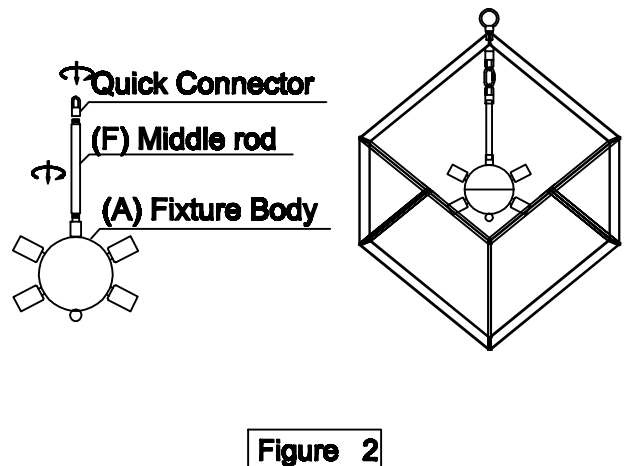
### STEP 1 -Installth Crystal to Rod.

A. Twist the rod (D) and the rod (E) into the Crystals' thread.



### STEP 2 -Install Metal frame to Fixture Body.

A-Install one section of the Middle rod on the Fixture Body and the other end on the Quick Connector  
 B-Install the lamp holder in Metal frame



### Hardware Contents

PART	DESCRIPTION	QUANTITY
AA	Canopy Lock Ring	1pcs
BB	Wire nut	3pcs
CC	Canopy Chain Loop	1pcs
DD	Crossbar	1pcs
EE	Outlet Box Screw	2pcs



**STEP 3- Install the Canopy Chain Loop and Nipple**

- A. Thread the nipple into the crossbar . Thread the lock washer and the hex nut onto top end of the nipple. Do not tighten at this moment.
- B. Attach the crossbar to the outlet box and secure with outlet box screws (not included). Hand tighten until snug.
- C. Thread the canopy chain loop onto the end of the nipple and hand tighten until snug. Place the ceiling canopy over the canopy chain loop against the ceiling to determine the correct position of the nipple. Thread the canopy lock ring onto the canopy chain loop. Adjust the nipple to allow the ceiling canopy to rest against the ceiling when held in place by the canopy lock ring.
- D. Remove the canopy lock ring from the canopy chain loop and remove the ceiling canopy. Unscrew outlet box screws to remove the crossbar assembly. Tight the hex nut above the crossbar. And then reinstall the crossbar assembly to the outlet box.

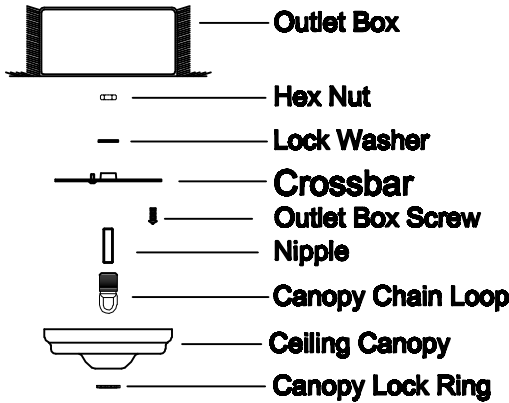


Figure 3

**STEP 4 - Install the Fixture Chain and Ceiling Canopy**

- A. Adjust the fixture chain to your desired length by removing links if needed.
- B. Pull the supply wires through the fixture chain alternating links. After the wires are through the fixture chain, pull the supply wires and the ground wire through the canopy lock ring and the ceiling canopy in order.
- C. Attach one end of the fixture chain to the fixture loop with one quick link. Lift the fixture and fixture chain up and attach the other end of the fixture chain onto the canopy chain loop with another quick link. The fixture will now hang safely.
- D. Feed the supply wires and ground wire through the canopy chain loop and nipple into the outlet box. Cut the wires leaving approximately 8" of wire extending from the outlet box.
- E. Go to Step 4 for wire connections and follow the directions. Return to Step F in this step when complete with Step 4.
- F. Raise the ceiling canopy and canopy lock ring up the fixture chain and over the canopy chain loop. Tighten the canopy lock ring onto the canopy chain loop until tight.

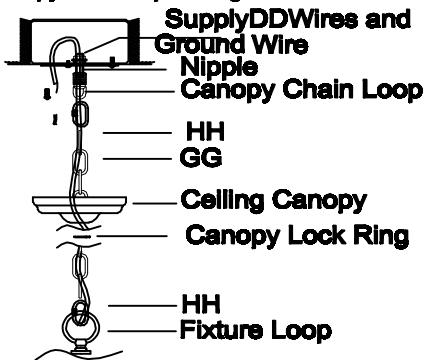


Figure 4

**STEP 5 - Wire Connections**

- A. Use standard wire connectors (not included) to make all wire connections. Twist connectors until wires are tightly joined together. Wrap each connection with approved electrical tape and carefully stuff all the connected wires into the Outlet Box.

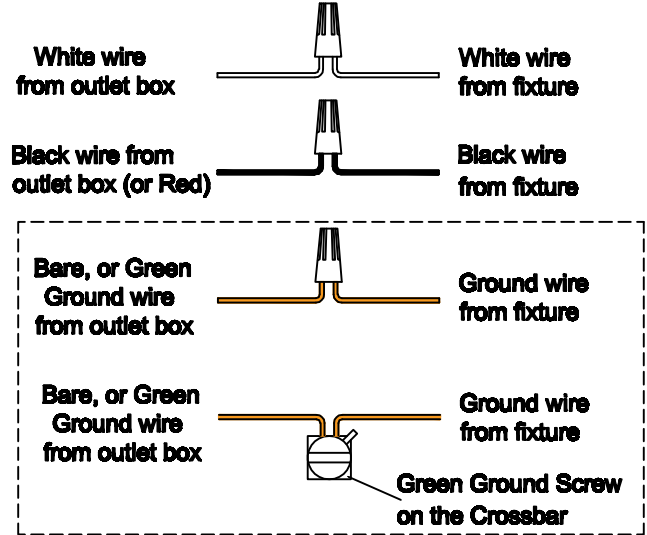


Figure 5

**STEP 6 - Install Crystal , tapered tube and Bulbs.**

- A. Install bulbs into sockets and push snug into place.
- B. Attach Crystals and tapered tube to the Fixture Body (A).

