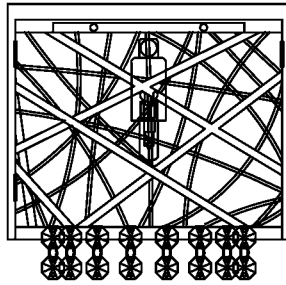


Trade Mark:
CRYSTAL WORLD INC

Product Name: Wall lamp
Model :5008W7C-A
120Vac, 60Hz,AC ONLY
Lamp Size: W7"*H7"*E4"

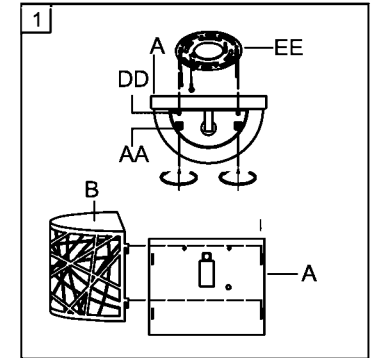


WALL LAMP ASSEMBLY INSTRUCTIONS

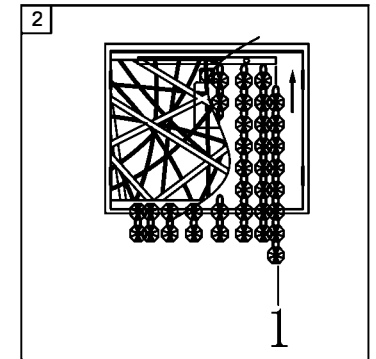
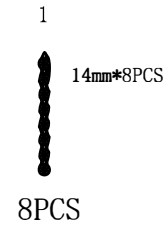
1. Place fixture (A) onto mounting screws (DD), secure with cap nuts (AA).
2. Place (B) on the (A)

Hardware Used

AA Cap nut		X 2
DD Mounting screw		X 2



2. Please hang the crystal (1) to the fixture (A).



3. Install light bulbs (not included).
Use bulb

120V  G9 1x40W Max.

