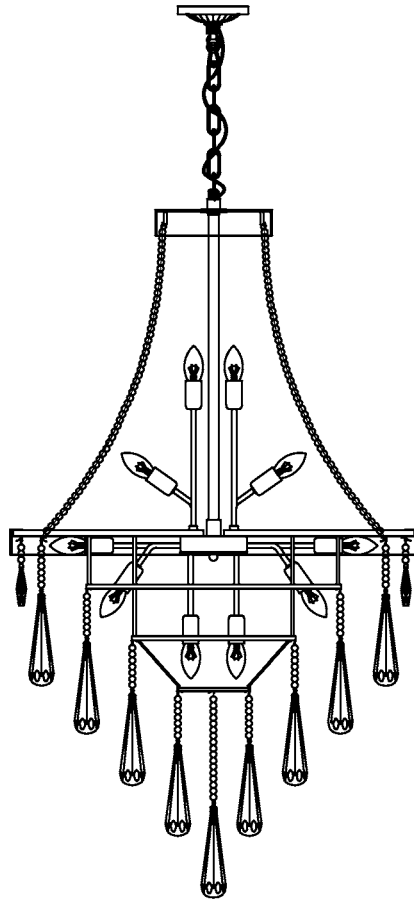



Trade Mark:
CRYSTAL WORLD INC

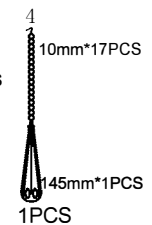
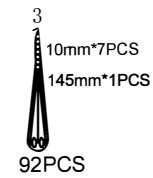
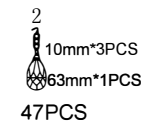
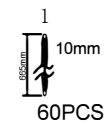
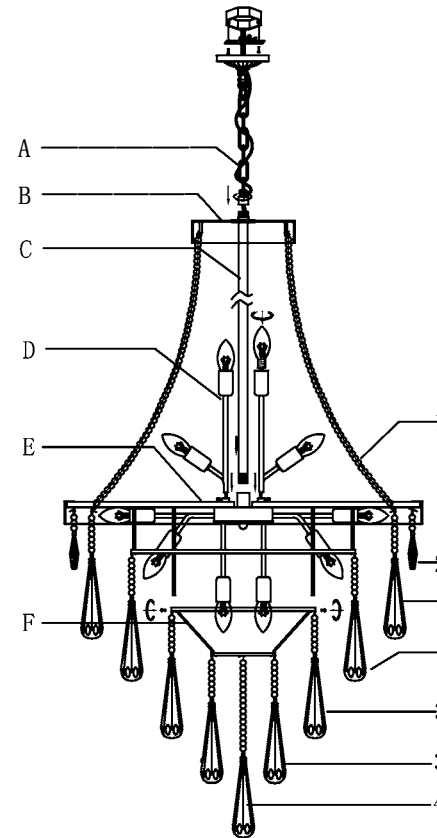
Product Name: Pendant lamp
Model :5078P32C
120Vac, 60Hz,AC ONLY
Lamp Size:Ø32"X52"H



Page 1/4

PENDANT LAMP ASSEMBLY INSTRUCTIONS

- 1.Screw part (D) onto the lampbody (E) secure with screw.
- 2.Screw part (C) and (F) onto (E) secure with screw.
- 3.Please fix (A) with (B).
- 4.Please wear gloves when you hanging the crystal.
- 5.Install bulbs(NOT INCLUDED).USE **120V E12**  **17* 40W Max.**



Page 2/4