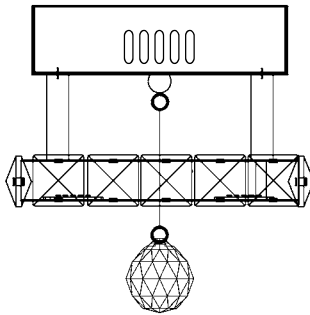


Trade Mark:
CRYSTAL WORLD INC

Product Name: Ceiling lamp
Model :5080C7ST
120Vac, 60Hz,AC ONLY
Lamp size:Ø7"XH7"

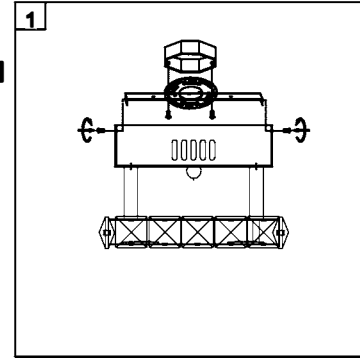


CEILING LAMP ASSEMBLY INSTRUCTIONS

1. Place fixture (A) onto Crossbar (EE).
secure with Mounting screw (DD).
Note: The fixture (A) should be installed
with the sockets facing down.

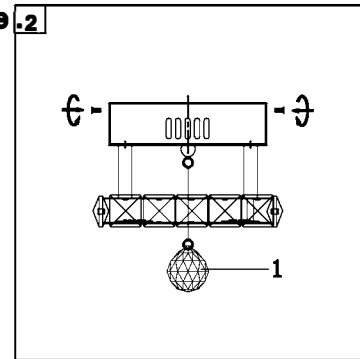
Hardware Used

DD Mounting screw  X 2



2. Please put the crystal (1) to the fixture.

1
1PCS
40mm*1PCS



3. lighting bulbs (not included).

**120V LED  6*1W
NOT DIMMABLE (4000K)**

