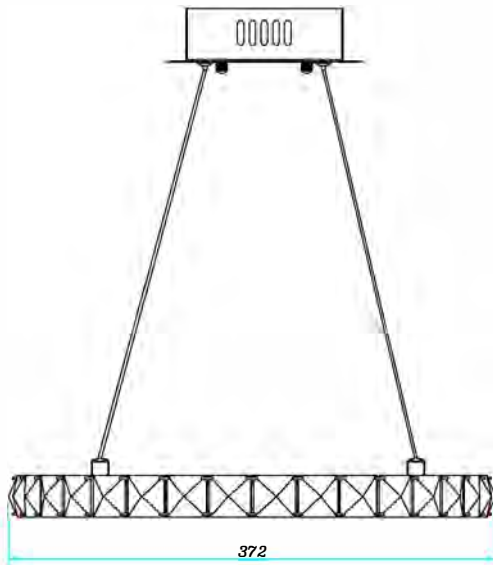


Trade Mark:
CRYSTAL WORLD INC


Product Name: Pendant lamp
Model :5080P15ST-S
120Vac, 60Hz,AC ONLY
Lamp Size:L15"XW15"XH118"



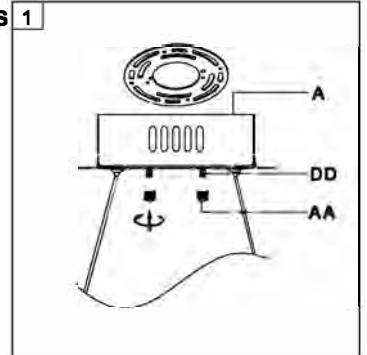
PENDANT LAMP ASSEMBLY INSTRUCTIONS

1. Place fixture (A) onto mounting screws (DD), secure with cap nuts (AA).

Hardware Used

AA Cap nut  X 2

DD Mounting screw  X 2



2. lighting bulbs (not included).

**120V LED  20*1W
NOT DIMMABLE (4000K)**

