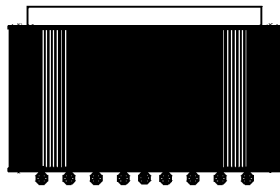


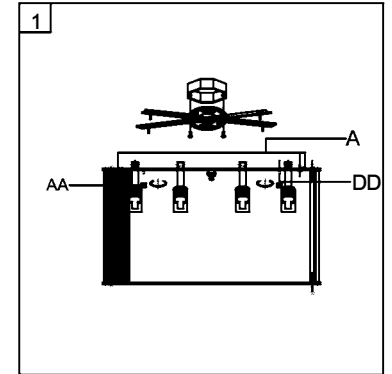
Trade Mark:  
CRYSTAL WORLD INC

Product Name: Ceiling lamp  
Model :5319C14C-R  
120Vac, 60Hz,AC ONLY  
Lamp Size:D14"\*H9"



## CEILING LAMP ASSEMBLY INSTRUCTIONS

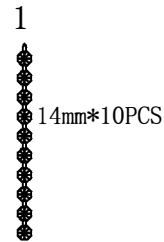
- 1.Place fixture(A) onto mounting screws (DD).secure with cap nuts (AA).



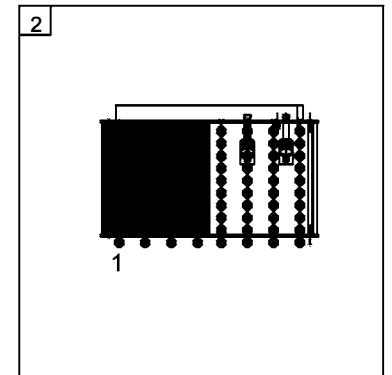
### Hardware Used


- AA Cap nut  X 4  
DD Mounting screw  X 4

- 2.Please put the crystal(1) to the fixture.



56PCS



- 3.Install light bulbs ( not included).  
Use bulb  
**120V G9  6\*40W Max.**

