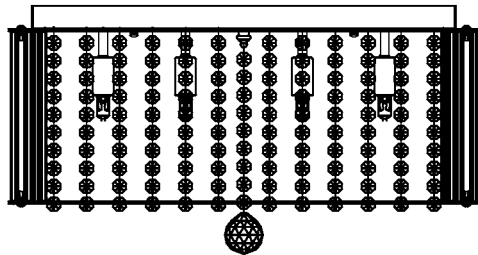


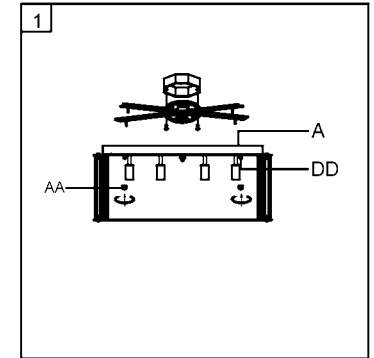
Trade Mark:
CRYSTAL WORLD INC

Product Name: Ceiling lamp
Model :5319C20C-R
120Vac, 60Hz,AC ONLY
Lamp size:Ø20"XH11"



CEILING LAMP ASSEMBLY INSTRUCTIONS




1. Place fixture(A) onto mounting screws (DD).secure with cap nuts (AA).

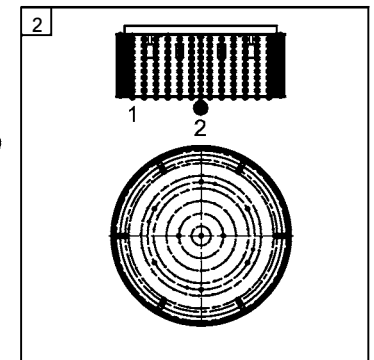



Hardware Used

- AA Cap nut  X 4
DD Mounting screw  X 4

2. Please put the crystal (1) (2) to the fixture .

- 1  14mm*10PCS 114PCS
2  14mm*9PCS 1PCS
 40mm*1PCS



3. Install light bulbs (not included).
Use bulb  8*40W Max.

