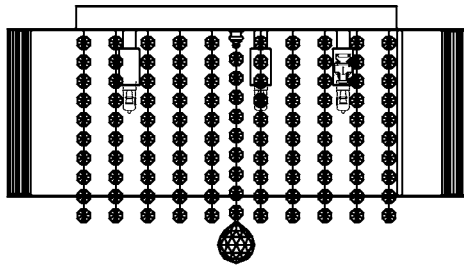


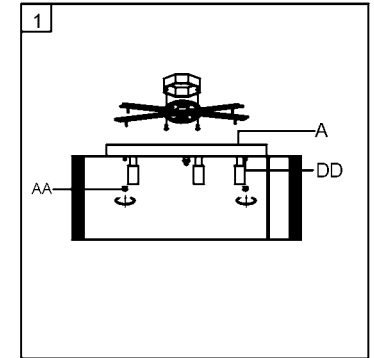
Trade Mark:
CRYSTAL WORLD INC

Product Name: Ceiling lamp
Model :5319C20C
120Vac, 60Hz,AC ONLY
Lamp size:Ø20"XH10"



CEILING LAMP ASSEMBLY INSTRUCTIONS

1. Place fixture(A) onto mounting screws (DD). secure with cap nuts (AA).

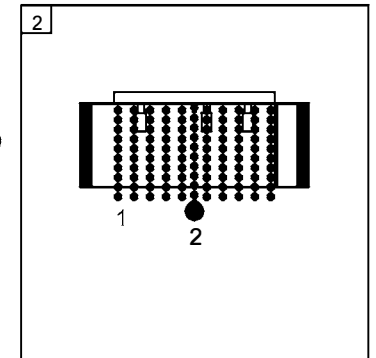
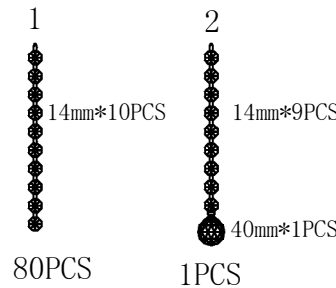



Hardware Used

AA Cap nut  X 4

DD Mounting screw  X 4

2. Please put the crystal (1) (2) to the fixture .



3. Install light bulbs (not included).
Use bulb
120V G9  7*40W Max.

