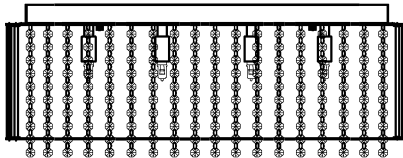


Trade Mark:
CRYSTAL WORLD INC

Product Name: Ceiling lamp
Model :5320C26C-S
120Vac, 60Hz,AC ONLY
Lamp size:L26"XW26"XH10"

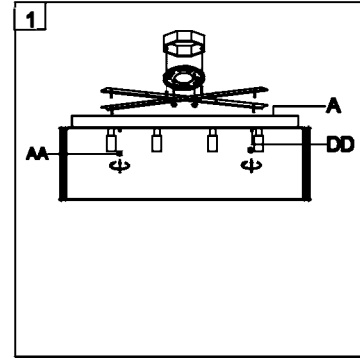


CEILING LAMP ASSEMBLY INSTRUCTIONS

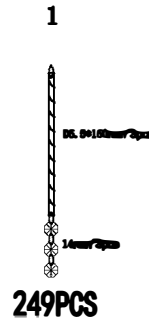
1.Place fixture(A) onto mounting screws (DD).secure with cap nuts (AA).

Hardware Used

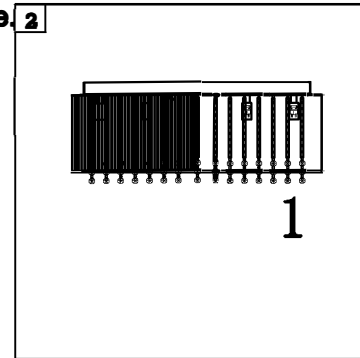
AA Cap nut  X 4
DD Mounting screw  X 4




2.Please put the crystal (1) to the fixture.



249PCS



3. Install light bulbs (not included).
Use bulb
120V G9  12*40W Max.

