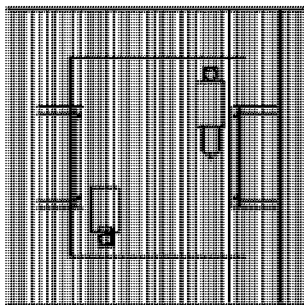


Trade Mark:
CRYSTAL WORLD INC

Product Name: Wall lamp
Model :5320W10C
120Vac, 60Hz,AC ONLY
Lamp Size:W10"*H10"*E5"

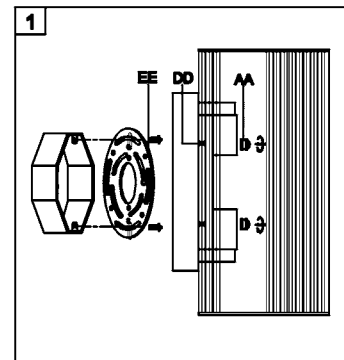


WALL LAMP ASSEMBLY INSTRUCTIONS

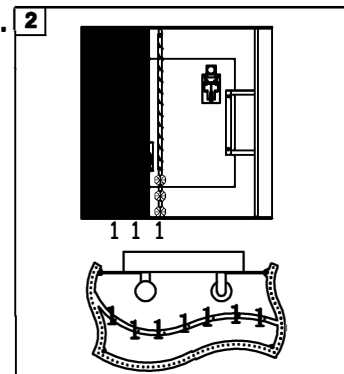
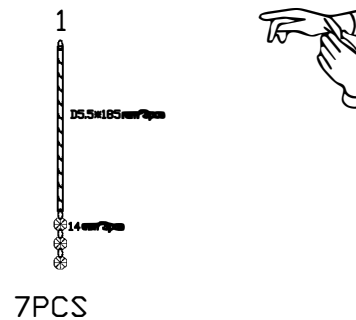
1.Place fixture(A)onto mounting screws (DD).secure with cap nuts (AA).


Hardware Used

AA Cap nut  X 2



2.Please hang the crystal(1) to the fixture .



3.Install light bulbs (not included).
Use bulb
120V G9  2*40W Max.

