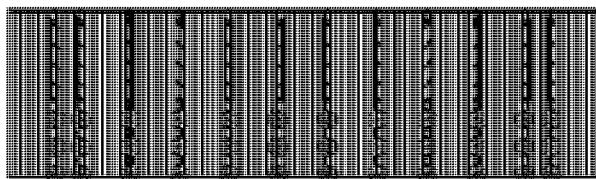


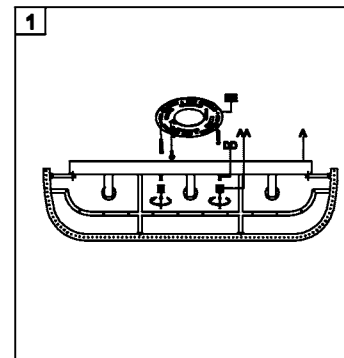
Trade Mark:
CRYSTAL WORLD INC

Product Name: Wall lamp
Model :5320W18C
120Vac, 60Hz,AC ONLY
Lamp Size: W18**H10**E5"



WALL LAMP ASSEMBLY INSTRUCTIONS

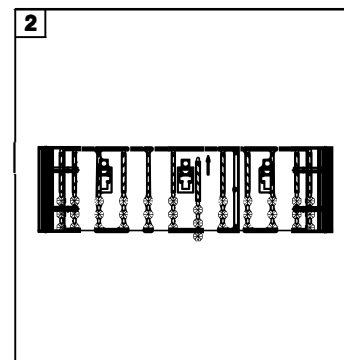
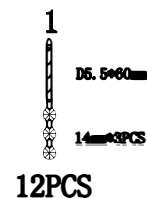
- 1.Place fixture(A) onto Butterfly (EE).
Secure with cap nuts (AA).



Hardware Used

AA Cap nut  X 2

- 2.Please hang the crystal(1) to the
fixture (A).



- 3.Install light bulbs (not included).
Use bulb

120V G9  3*40W Max.

