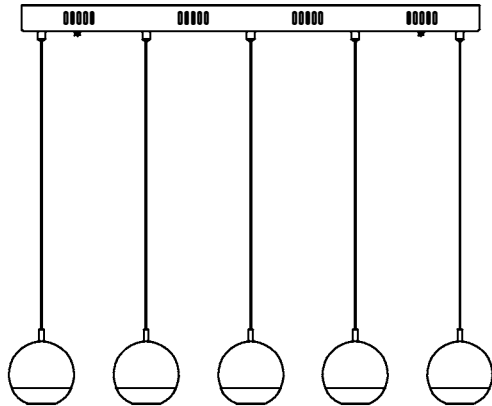


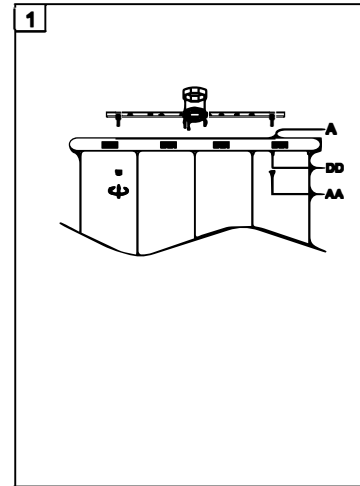
Trade Mark:  
CRYSTAL WORLD INC

Product Name: Pendant lamp  
Model :5444P28C-RC  
120Vac, 60Hz,AC ONLY  
Lamp Size:L28\*\*W5\*\*H6"-H48"



## PENDANT LAMP ASSEMBLY INSTRUCTIONS


1. Place fixture(A) onto mounting screws (DD), secure with cap nuts (AA).



### Hardware Used

AA Cap nut  X 2

DD Mounting screw  X 2

2. Install light bulbs (not included).  
Use bulb  12V G4 5\*20W Max.

