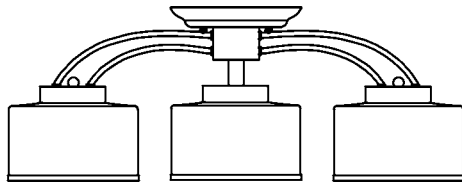


Trade Mark:
CRYSTAL WORLD INC

Product Name: Ceiling lamp
Model :5479C28C-3+1
120Vac, 60Hz,AC ONLY
Lamp size:Ø28"XH10"

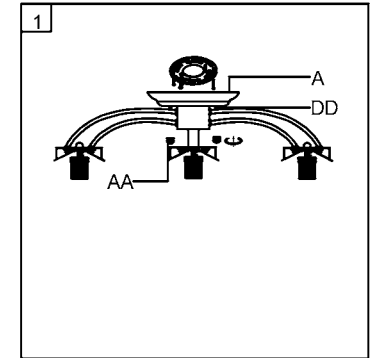


CEILING LAMP ASSEMBLY INSTRUCTIONS

1. Place fixture(A) onto mounting screws (DD).secure with cap nuts (AA).

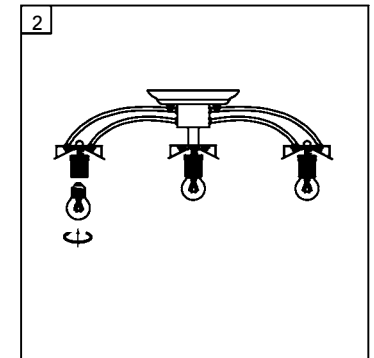
Hardware Used

- AA Cap nut  X 2
DD Mounting screw  X 2



2. Install light bulbs (not included).

Use bulb  4*60W Max.
120V E26



3. Please fix (B) with (A).

