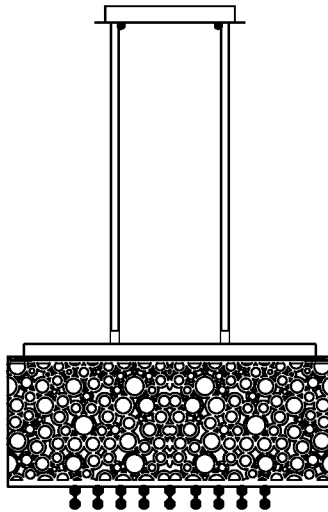


Trade Mark:  
CRYSTAL WORLD INC

Product Name: Ceiling lamp  
Model :5536P20ST  
120Vac, 60Hz,AC ONLY  
Lamp Size:Ø20"\*H10"

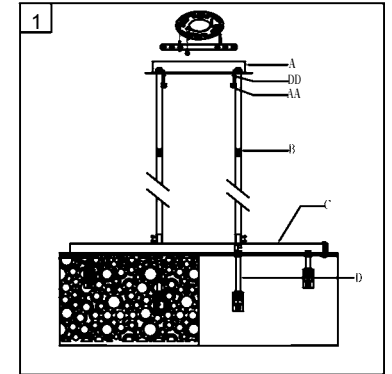


## CEILING LAMP ASSEMBLY INSTRUCTIONS

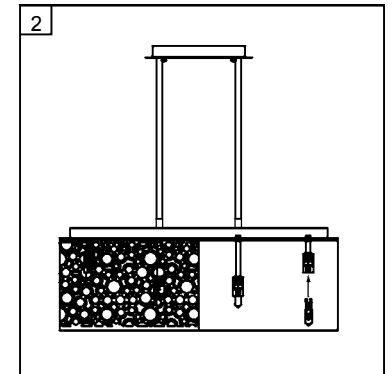
1. Place fixture(A) onto mounting screws (DD).secure with cap nuts (AA). Please fix (A) with (B).(B) with (C), (D) to (C)

### Hardware Used

AA Cap nut		X 2
DD Mounting screw		X 2



2. Install light bulbs ( not included).  
Use bulb  
**120V G9 7\*40W Max.**



3. Please put the crystal(1,2) to the fixture.

