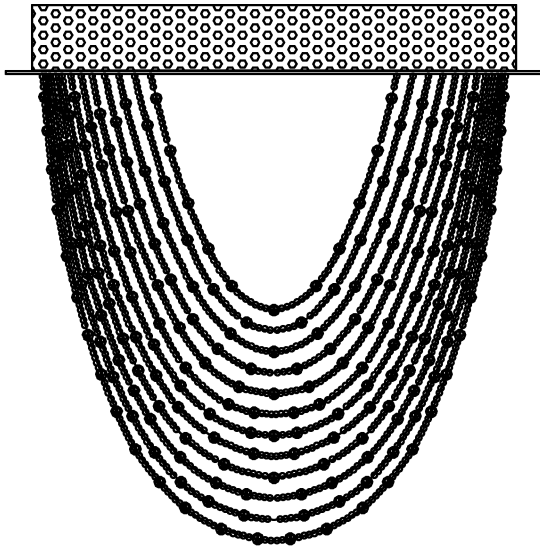


Trade Mark:
CRYSTAL WORLD INC

Product Name: Ceiling lamp
Model :6614C32C(H32")-R
120Vac, 60Hz,AC ONLY
Lamp size:Ø32"x32"H

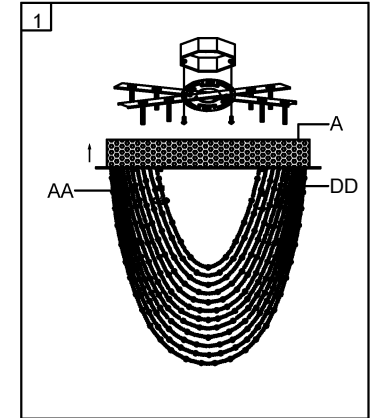


CEILING LAMP ASSEMBLY INSTRUCTIONS

1. Place fixture(A) onto mounting screws (DD).secure with cap nuts (AA).

Hardware Used

AA Cap nut		X 8
DD Mounting screw		X 8



2. Install light bulbs (not included).

Use bulb
120V GU10  13*35W Max.

