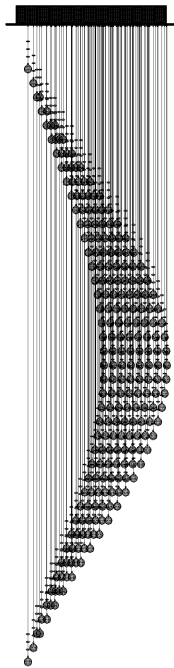


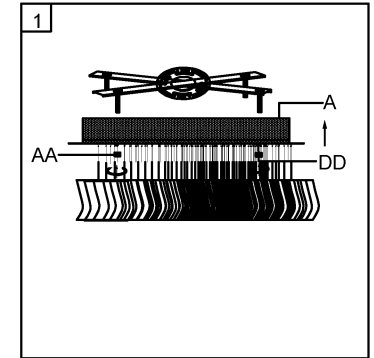
Trade Mark:
CRYSTAL WORLD INC

Product Name: Ceiling lamp
Model :6629C24C
120Vac, 60Hz,AC ONLY
Lamp size:Ø24"X69"H





CEILING LAMP ASSEMBLY INSTRUCTIONS

- 1.Place fixture(A)onto mounting screws (DD).secure with cap nuts (AA).

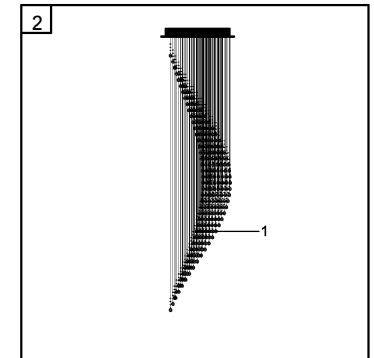


Hardware Used

- AA Cap nut  X 4
DD Mounting screw  X 4

- 2.Please open the clear plastic bag carefully.and put the crystal(1) to the fixture .

1
 30mm*1PCS
236PCS



- 3.Install light bulbs (not included).

Use bulb
120V GU10  8*35W Max.

